

373050_L_3 SEALS STANDARD SEALS_REVOLVING THREADED FLANGES UNI EN 1092-1



THREE-way ball valve three seals with "L" port
Drive: ISO 5211 - DIN 3337 flange for actuator
Connection: Revolving threaded flanges UNI EN 1092-1
Flow: Full and reduced
Material: Aisi 304L (1.4307) - Aisi 316L (1.4404)
Measure: from DN65 to DN100
Seals: Modified Virgin P.T.F.E.
Operating temperature: -20°C+170°C
Outer finish: Polished

On request:

Antistatic device ATEX:

II 2G Ex h IIC T4 Gb

II 2D Ex h IIIC T135°C Db

M.O.C.A. CE 1935/2004

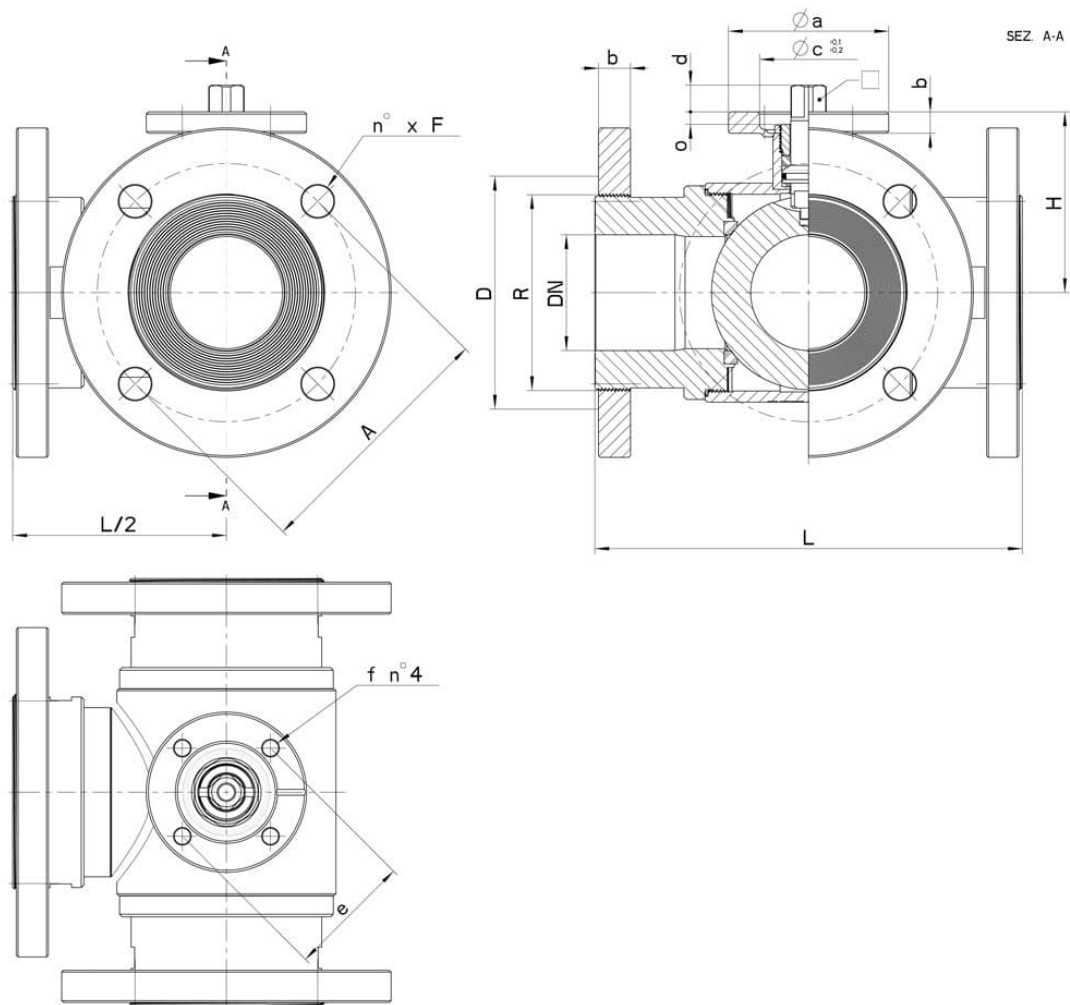
• Seals made of:

PTFE with glass -20°C+170°C

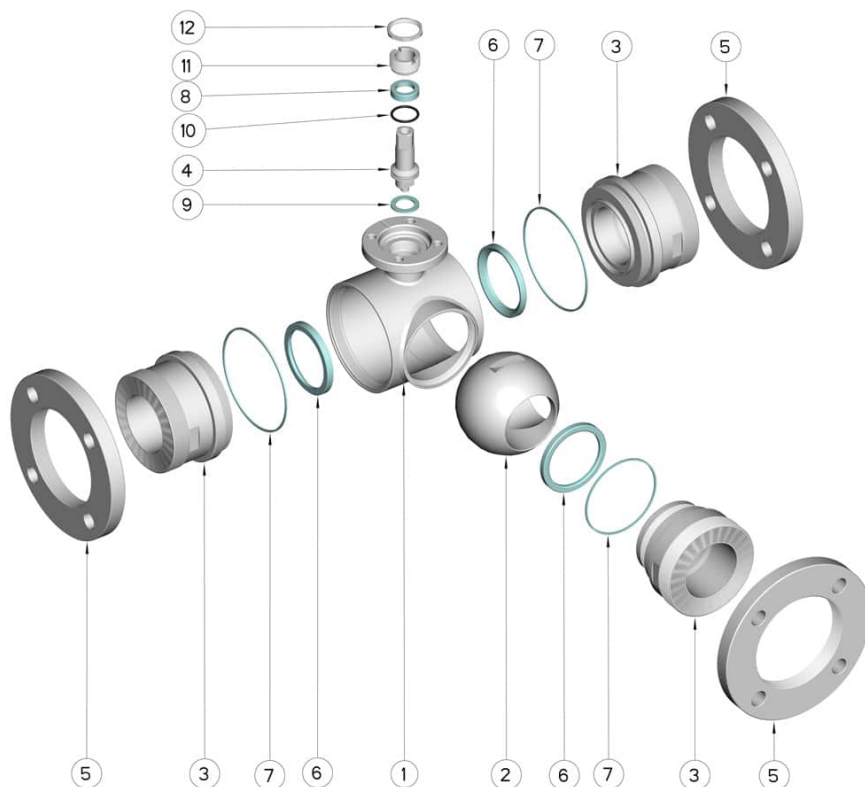
PTFE with carbographite -20°C+180°C

PTFE with inox -20°C+200°C

UHMW High-molecular weight polyethylene -20°C+80°C



DN	DN	L	H	D	B	R	A	n° x F	PN	Kg	ISO-DIN	Ø a	b	Ø c x o	□	d	e	f	n° 4 Bolts	Nm	CODE AISI 316L
65	65	240	101.5	185	18	110	145	4 x 18	16	-	F.07	90	12	55x4	17	15	70	9	M8x20	60	373050 64410
65	65	240	101.5	185	18	110	145	4 x 18	16	-	F.10	125	12	70x4	22	18	102	11	M10x25	60	373050 6441F
80	80	260	116	200	18	120	160	8 x 18	16	-	F.07	90	12	55x4	17	15	70	9	M8x20	110	373050 64810
80	80	260	116	200	18	120	160	8 x 18	16	-	F.10	120	12	70x4	22	18	102	11	M10x25	110	373050 6481F
100	100	300	131	220	20	140	180	8 x 18	10	-	F.07	90	12	55x4	17	15	70	9	M8x20	130	373050 65410
100	100	300	131	220	20	140	180	8 x 18	10	-	F.10	125	12	70x4	22	18	102	11	M10x25	130	373050 6541F
125	(Reduced) 100	325	190	250	22	153	210	8 x 18	10	-	F.07	90	12	55x4	17	15	70	9	M8x20	130	373050 65510
125	(Reduced) 100	325	190	250	22	153	210	8 x 18	10	-	F.10	125	12	70x4	22	18	102	11	M10x25	130	373050 6551F



POS.	Denomination	PCS	MAT.
1	Body	1	AISI 304L - 316L
2	Ball	1	AISI 304L - 316L
3	Sleeves	3	AISI 304L - 316L
4	Stem	1	AISI 304L - 316L
5	Flanges	3	AISI 304L - 316L
6	Ball Seals	3	PTFE Vergine Modificato
7	Sleeve Seals	3	PTFE
8	Stem Seal	1	PTFE
9	Stem Seal	1	PTFE
10	Stem or-Seal	1	FKM
11	Register ring	1	AISI 304L (303)
12	Locknut	1	AISI 303

