

373042_L_3 SEALS STANDARD SEALS_BUTT-WELDING IN ACCORDING TO ISO 1127



THREE-way ball valve three seals with "L" port
Drive: ISO 5211 - DIN 3337 flange for actuator
Connection: Butt-welding in according to ISO 1127
Flow: Full
Material: Aisi 316L (1.4404)
Measure: from DN65 to DN100
Seals: Modified Virgin P.T.F.E.
Operating temperature: -20°C+170°C
Outer finish: Polished

On request:

Antistatic device ATEX:

II 2G Ex h IIC T4 Gb

II 2D Ex h IIIC T135°C Db

M.O.C.A. CE 1935/2004

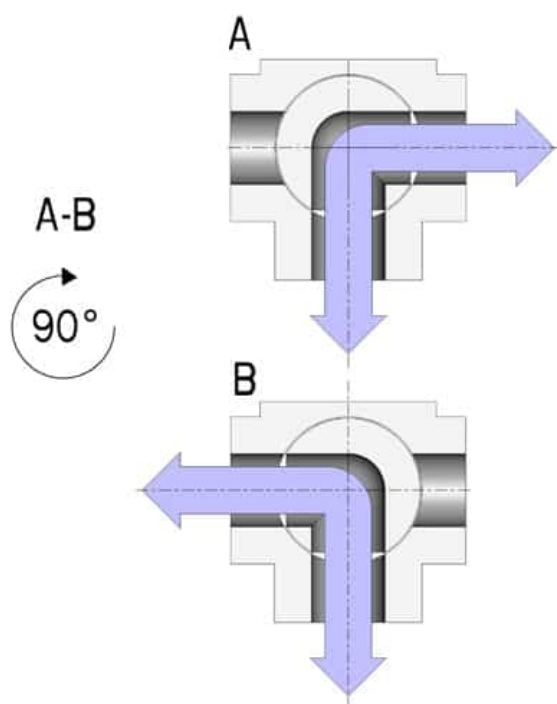
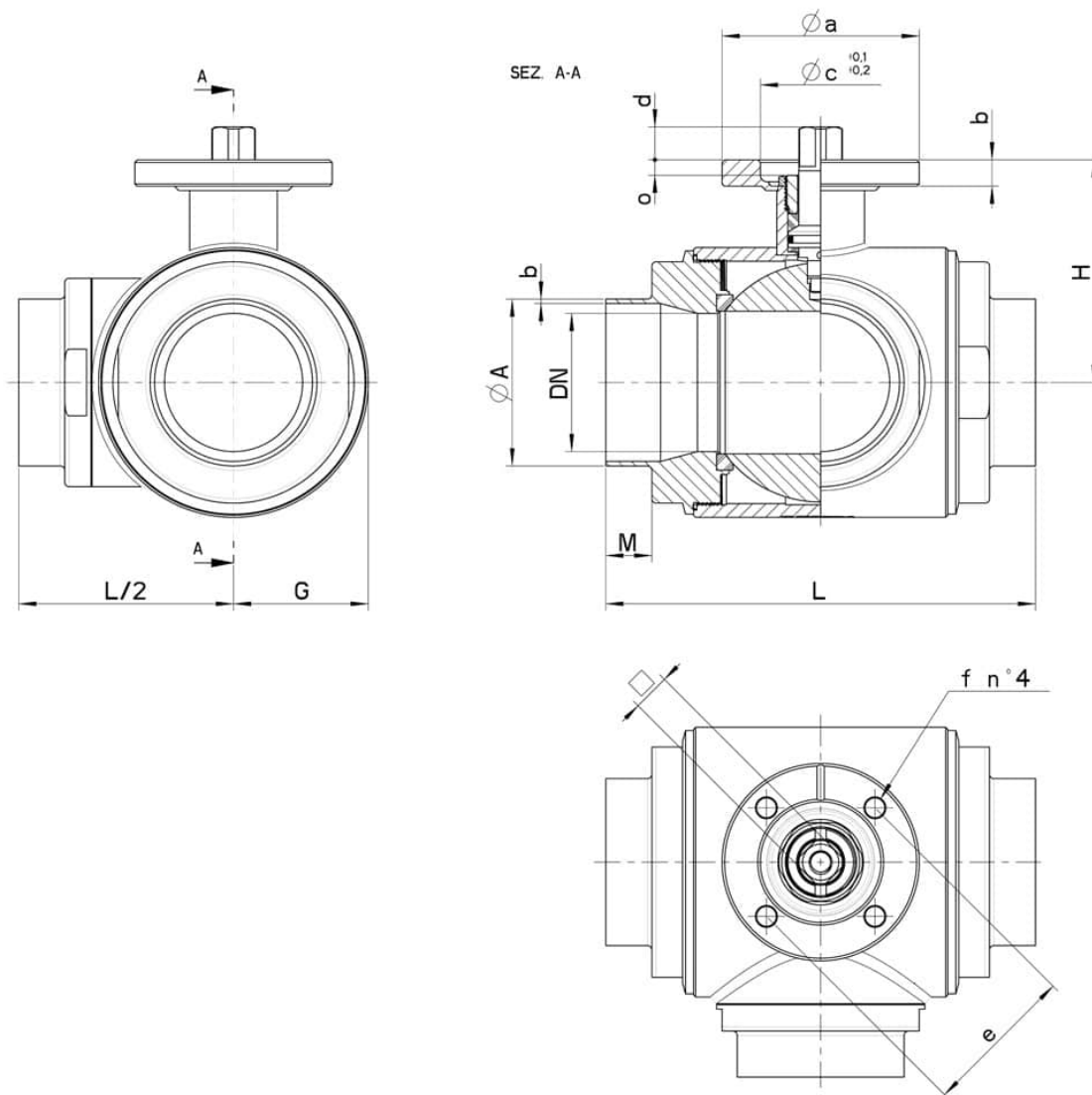
• Seals made of:

PTFE with glass -20°C+170°C

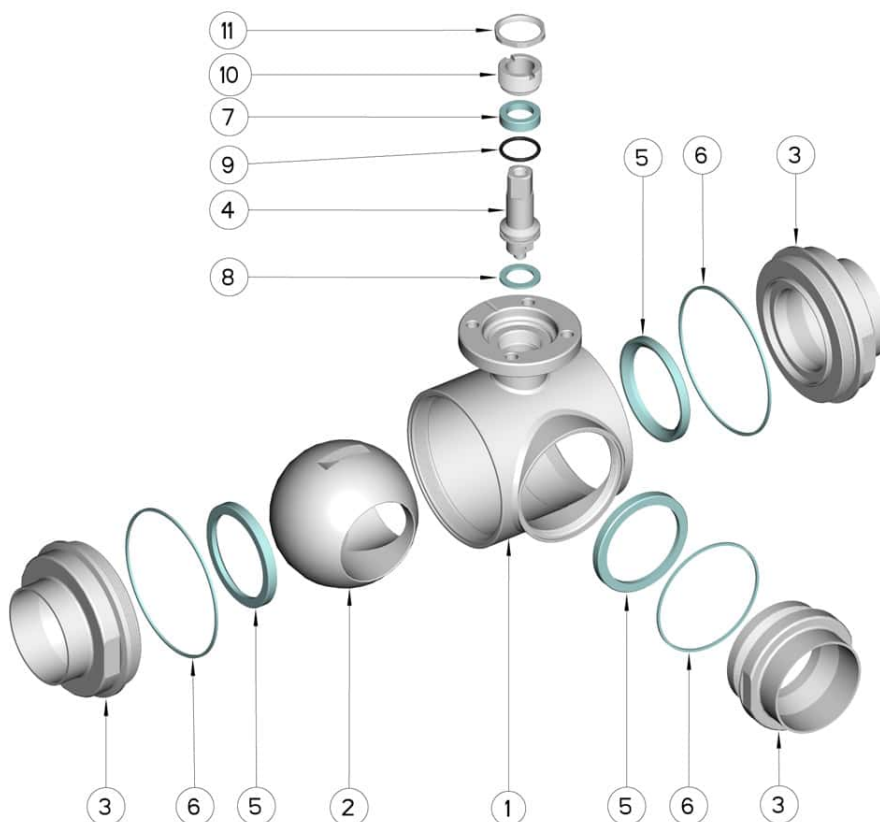
PTFE with carbographite -20°C+180°C

PTFE with inox -20°C+200°C

UHMW High-molecular weight polyethylene -20°C+80°C



DN	Ø A x B	M	L	G	H	PN	Kg	ISO-DIN	Ø a	b	Ø c x o	□	d	e	f	n° 4 BOLTS	Nm	COD. AISI 316L
65	76,1 x 2	21	196	80	101,5	16	-	F.07	90	12	55x4	17	15	70	9	M8x20	60	373042 6U610
80	88,9 x 2	27	256	100	116	16	-	F.10	120	12	70x4	22	18	102	11	M10x25	110	373042 6W91F
100	114,3 x 2	27	286	120	131	10	-	F.10	120	12	70x4	22	18	102	11	M10x25	130	373042 6Y41F



POS.	Denom.	PCS	MAT.
1	Body	1	AISI 316L
2	Ball	1	AISI 316L
3	Sleeves	3	AISI 316L
4	Stem	1	AISI 316L
5	Ball Seals	3	PTFE Vergine Modificato
6	Sleeve Seals	3	PTFE
7	Stem Seal	1	PTFE
8	Stem Seal	1	PTFE
9	Stem or-Seal	1	FKM
10	Register ring	1	AISI 304L (303)
11	Locknut	1	AISI 303

