

## 370142\_L\_3 SEALS STANDARD SEALS\_BUTT-WELDING IN ACCORDING TO ISO 1127



THREE-way ball valve 3 seals with "L" port  
Drive: Inox lever  
Connection: Butt-welding in according to ISO 1127  
Flow: Full a  
Material: Aisi 316L (1.4404)  
Measure: DN65 a DN100  
Seals: Modified Virgin P.T.F.E.  
Operating temperature: -20°C+170°C  
Outer finish: Polished

On request:

Antistatic device ATEX:

II 2G Ex h IIC T4 Gb

II 2D Ex h IIIC T135°C Db

M.O.C.A. CE 1935/2004

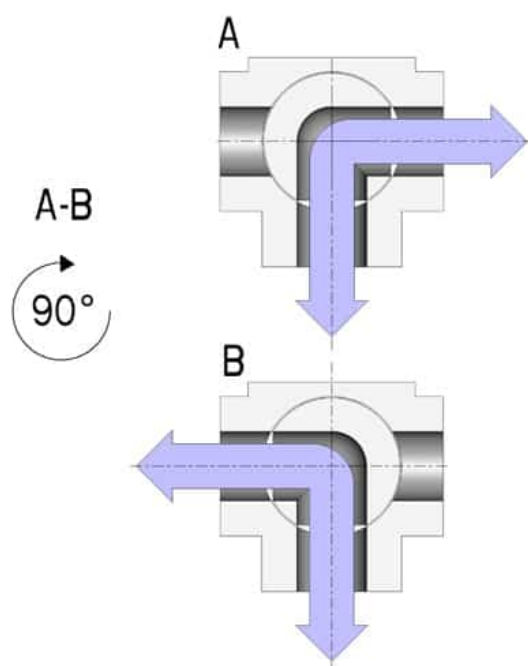
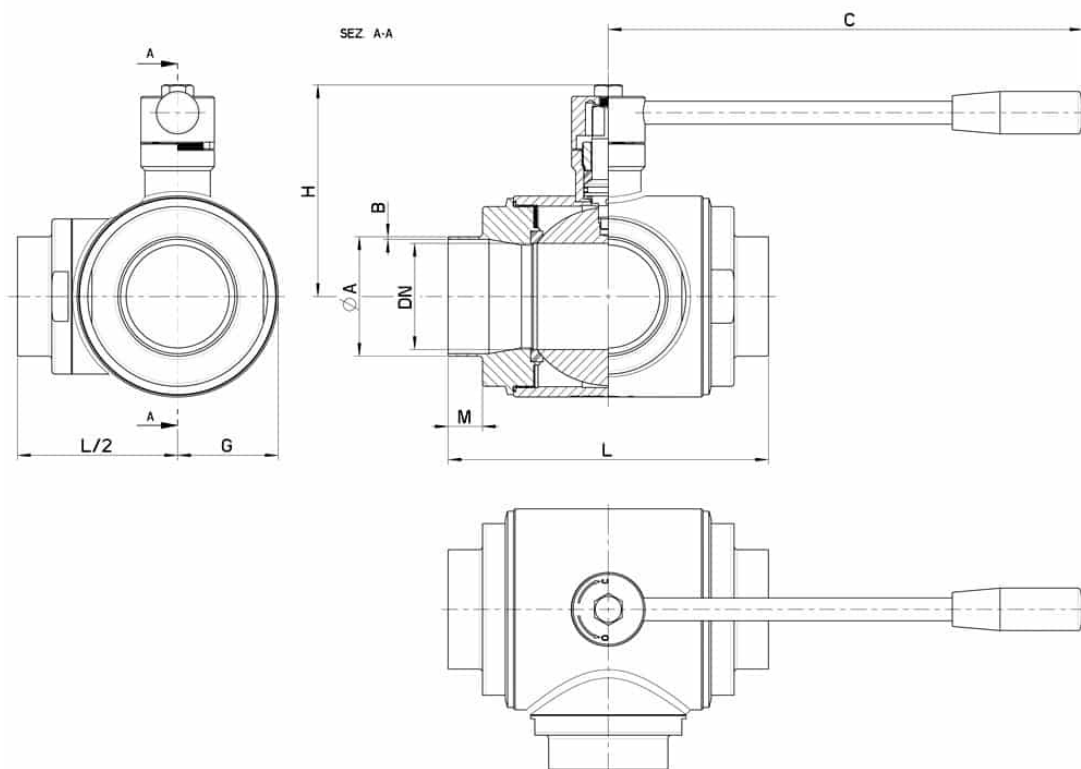
• Seals made of:

PTFE with glass -20°C+170°C

PTFE with carbographite -20°C+180°C

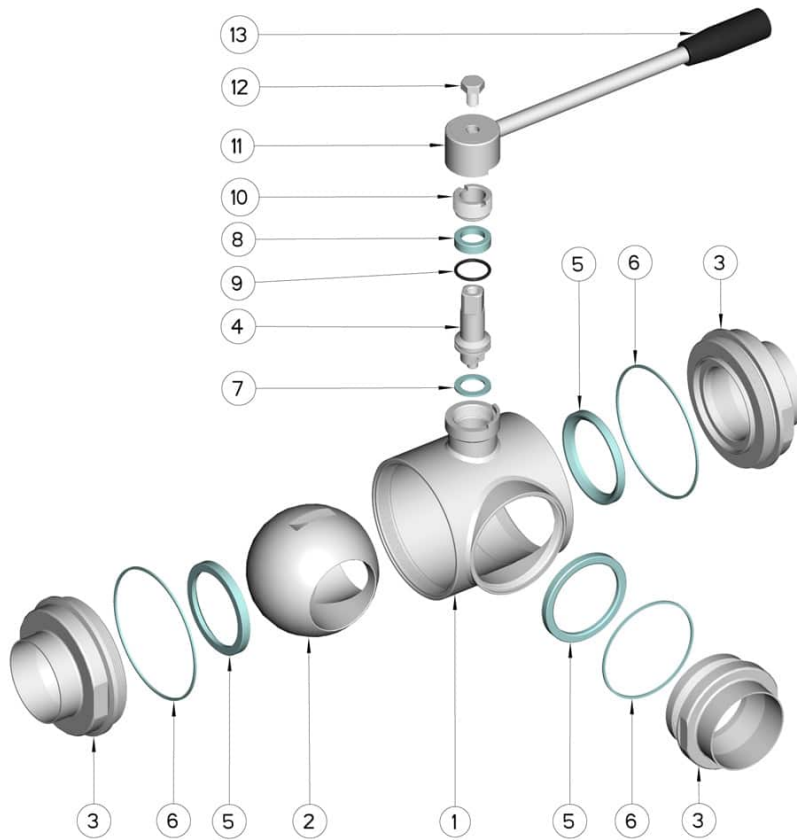
PTFE with inox -20°C+200°C

UHMW High-molecular weight polyethylene -20°C+80°C



---

DN	ØA x B	M	L	G	C	H	PN	Kg	COD. AISI 316L
65	76,1 X 2	21	196	80	285	130	16	-	370142 6U610
80	88,9 X 2	27	256	100	310	145	16	-	370142 6W910
100	114,3 X 2	27	286	120	310	160	10	-	370142 6Y410



POS.	Denomination	PCS	MAT.
1	Body	1	AISI 316L
2	Ball	1	AISI 316L
3	Sleeves	3	AISI 316L
4	Stem	1	AISI 316L
5	Ball Seals	3	PTFE Vergine Modificato
6	Sleeve Seals	3	NBR
7	Stem Seal	1	PTFE
8	Stem Seal	1	PTFE
9	Stem or-Seal	1	FKM
10	Register ring	1	AISI 304L (303)
11	Lever	1	AISI 304L
12	SCREW	1	AISI 304L
13	Handle	1	Resin

