

## 370130 L\_3 SEALS\_FOR BS PIPE



THREE-way ball valve three seals with "L" port

Drive: Inox lever

Connection: **CLAMP normative DIN 32676 TAB.4 REIHE C**  
**For TUBE according to normative BS/OD (ASTM A270)**

Flow: Full and reduced

Material: Aisi 304L (1.4307) - Aisi 316L (1.4404)

Measure: from 2"1/2 to 4"

Seals: Modified Virgin P.T.F.E.

Operating temperature: -20°C+170°C

Outer finish: Polished

On request:

Antistatic device ATEX:

II 2G Ex h IIC T4 Gb

II 2D Ex h IIIC T135°C Db

M.O.C.A. CE 1935/2004

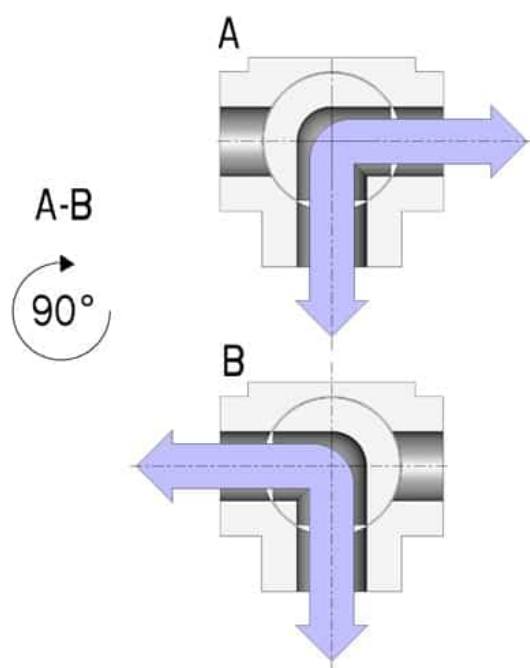
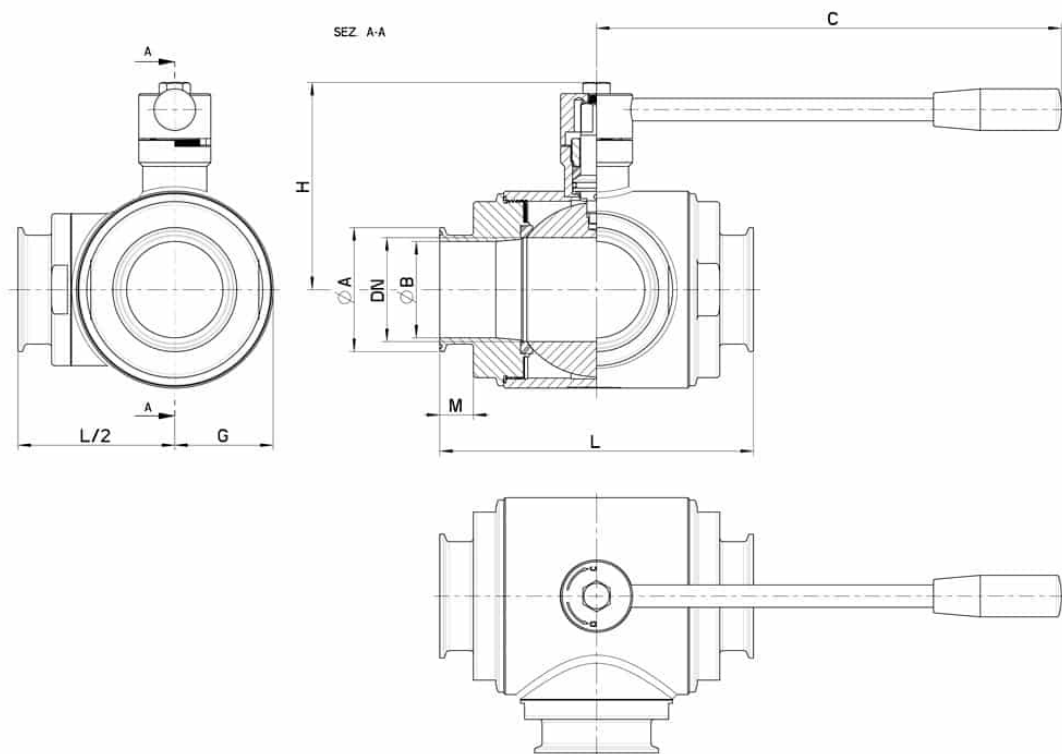
• Seals made of:

PTFE with glass -20°C+170°C

PTFE with carbographite -20°C+180°C

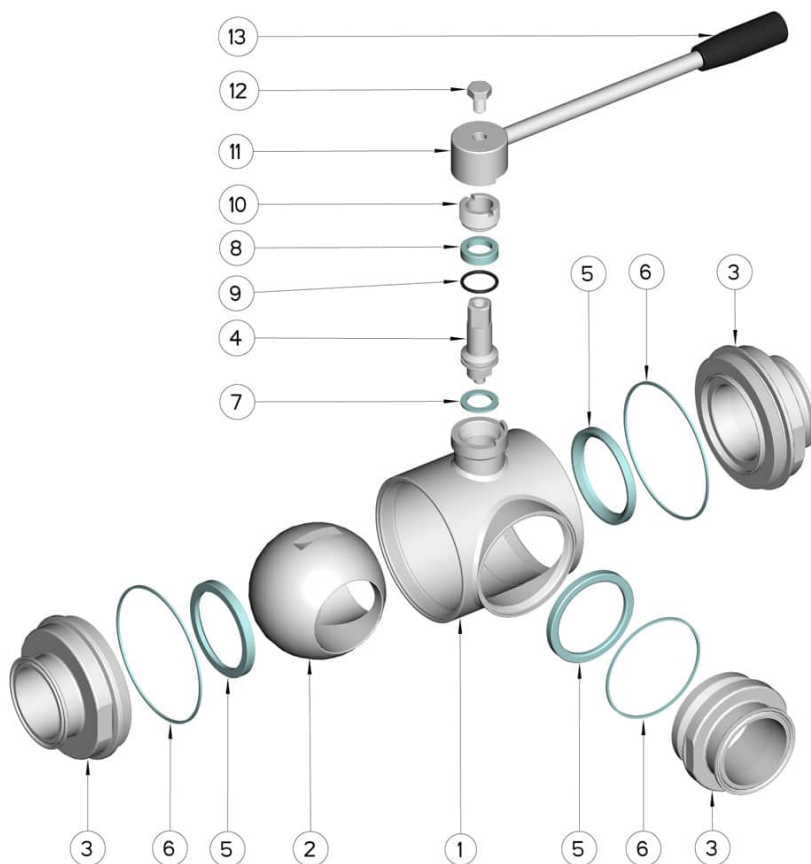
PTFE with inox -20°C+200°C

UHMW High-molecular weight polyethylene -20°C+80°C



---

CLAMP REIHE C INCH	DN	L	G	Ø A	Ø B	C	H	PN	Kg	CODE AISI 316L
2"1/2	65	196	80	77,5	60,2	285	130	16	-	370130 64410
3"	80	256	100	91	72,6	310	145	16	-	370130 64810
4"	100	286	120	119	97,6	310	160	10	-	370130 65410



POS.	Denomination	PCS	MAT.
1	Body	1	AISI 316L
2	Ball	1	AISI 316L
3	Sleeves	3	AISI 316L
4	Stem	1	AISI 316L
5	Ball Seals	3	PTFE Vergine Modificato
6	Sleeve Seals	3	NBR
7	Stem Seal	1	PTFE
8	Stem Seal	1	PTFE
9	Stem or-Seal	1	FKM
10	Register ring	1	AISI 304L (303)
11	Lever	1	AISI 304L
12	SCREW	1	AISI 304L
13	Handle	1	Resin

