

370125_L_3 SEALS STANDARD SEALS - F DIN 11851



THREE-way ball valve three seals with "L" port
Drive: Inox lever
Connection: DIN 11851 female/female/female
Flow: Full
Material: Aisi 304L (1.4307) - Aisi 316L (1.4404)
Measure: from DN65 to DN100
Seals: Modified Virgin P.T.F.E.
Operating temperature: -20°C+170°C
Outer finish: Polished

On request:

Antistatic device ATEX:

II 2G Ex h IIC T4 Gb

II 2D Ex h IIIC T135°C Db

M.O.C.A. CE 1935/2004

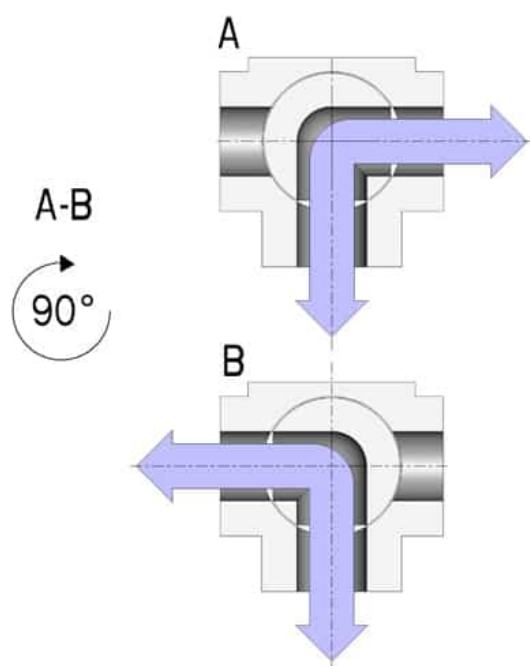
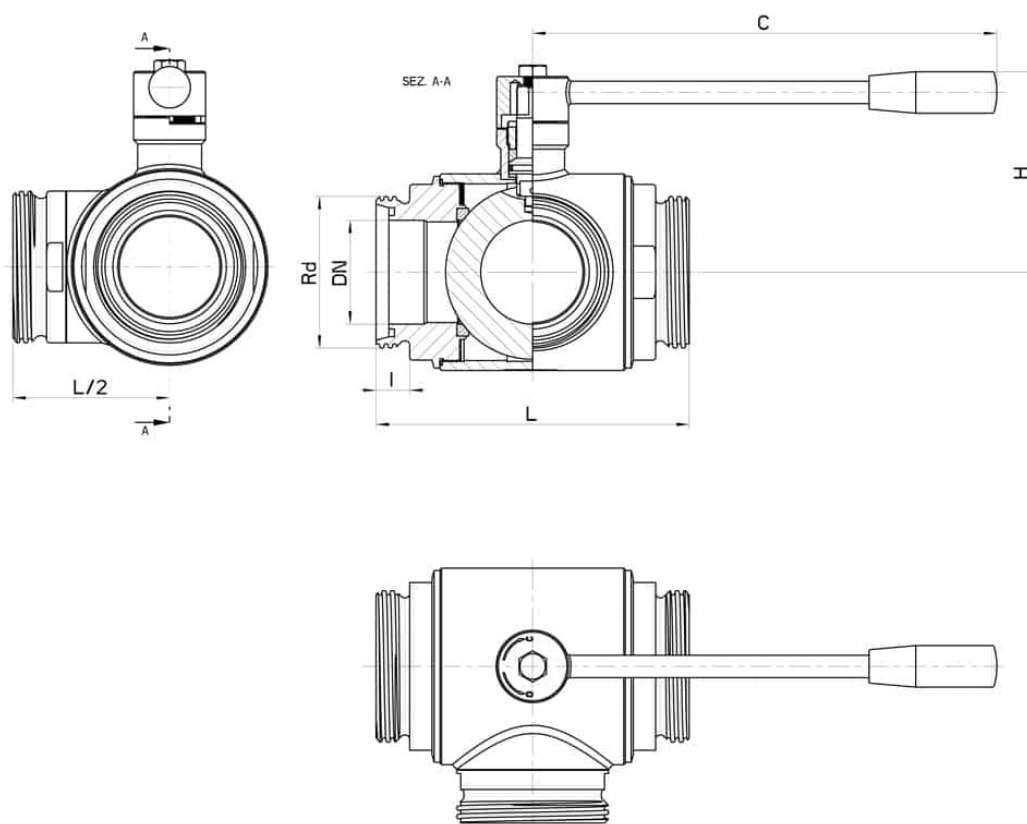
• Seals made of:

PTFE with glass -20°C+170°C

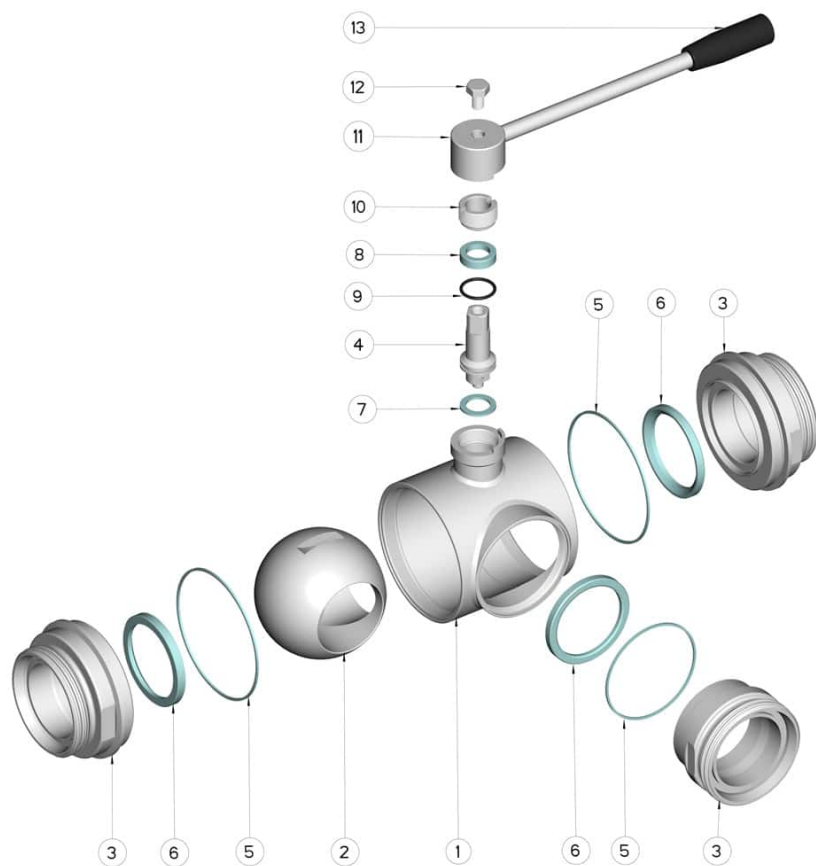
PTFE with carbographite -20°C+180°C

PTFE with inox -20°C+200°C

UHMW High-molecular weight polyethylene -20°C+80°C



DIN	DN	Rd	L	I	C	H	PN	Kg	CODE AISI 304L	CODE AISI 316L
65	65	95x1/6"	196	16	285	130	16	10,05	-	370125 64410
80	80	110x1/4"	256	20	310	145	16	19,20	370125 44810	370125 64810
100	100	130x1/4"	286	20	310	160	10	29,50	370125 45410	370125 65410
125	(Reduced) 100	160x1/4"	286	25	310	160	10	-	370125 45510	370125 65510



POS.	Denomination	PCS	MAT.
1	Body	1	AISI 316L
2	Ball	1	AISI 316L
3	Sleeves	3	AISI 316L
4	Stem	1	AISI 316L
5	Ball Seals	3	PTFE Vergine Modificato
6	Sleeve Seals	3	NBR
7	Stem Seal	1	PTFE
8	Stem Seal	1	PTFE
9	Stem or-Seal	1	FKM
10	Register ring	1	AISI 304L (303)
11	SCREW	1	AISI 304L
12	Lever	1	AISI 304L
13	Handle	1	DUROPLAST (PF)

