

363044_T_3 SEALS STANDARD SEALS - F SMS



THREE-way ball valve three seals with "T" port
Drive: ISO 5211 - DIN 3337 flange for actuator
Connection: SMS female/female/female
Flow: Full
Material: Aisi 316L (1.4404)
Measure: from DN65 to DN100
Seals: Modified Virgin P.T.F.E.
Operating temperature: -20°C+170°C
Outer finish: Polished

On request:

Antistatic device ATEX:

II 2G Ex h IIC T4 Gb

II 2D Ex h IIIC T135°C Db

M.O.C.A. CE 1935/2004

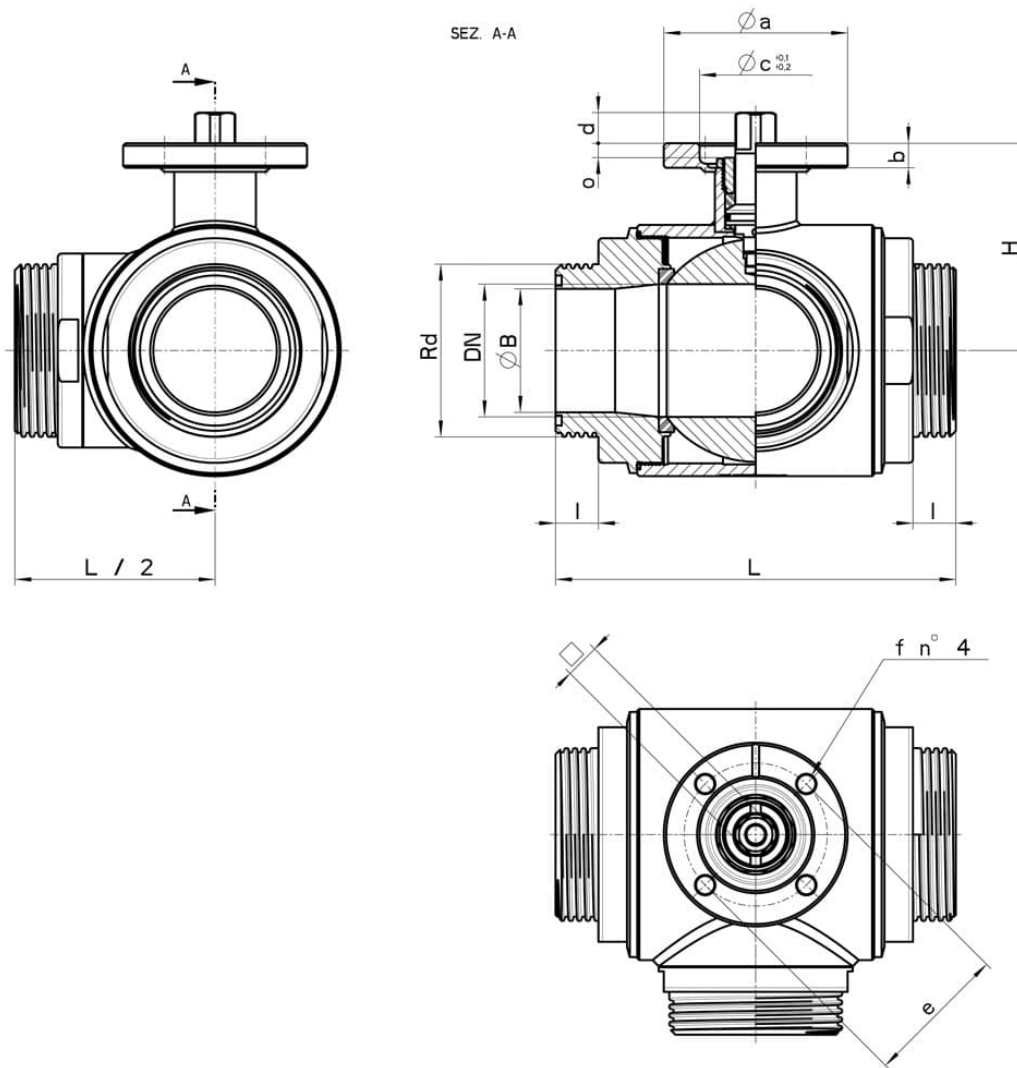
• Seals made of:

PTFE with glass -20°C+170°C

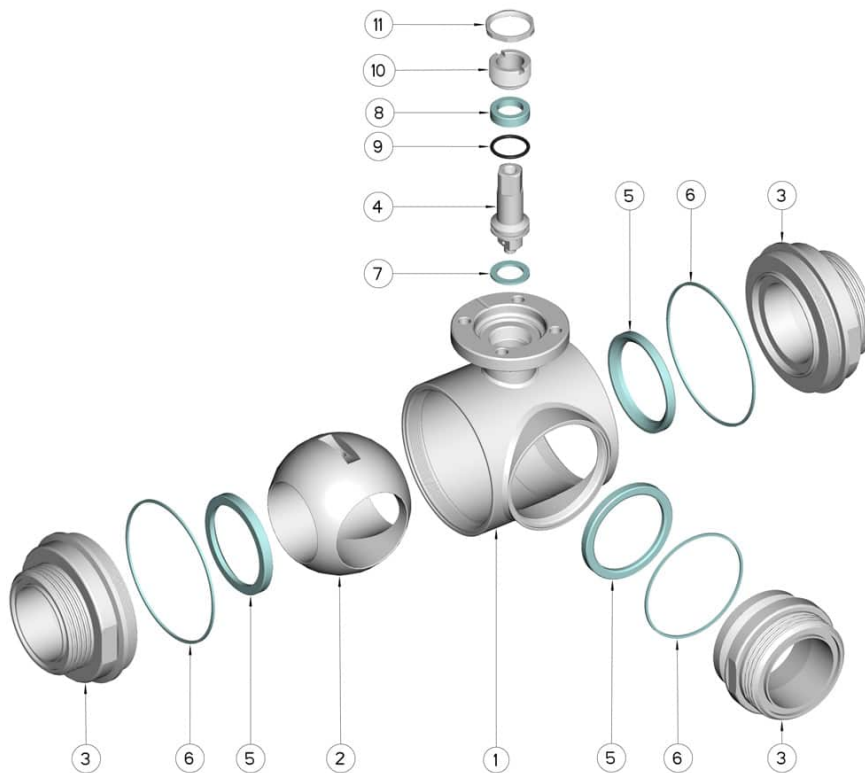
PTFE with carbographite -20°C+180°C

PTFE with inox -20°C+200°C

UHMW High-molecular weight polyethylene -20°C+80°C



SMS	DN	Rd	L	I	H	PN	Kg	ISO-DIN	Ø a	b	Ø c x o	□	d	e	f	n° 4 Bolts	Nm	CODE AISI 304L	CODE AISI 316L
63	65	85 x 1/6"	196	21	101,5	16		F.07	90	12	55x4	17	15	70	9	M8x20	60	-	363044 64410
63	65	85 x 1/6"	196	21	101,5	16		F.10	125	12	70x4	22	18	102	11	M10x25	60	-	363044 6441F
76	(Reduced) 65	98x1/6"	196	21	101,5	16	9.72	F.07	90	12	55x4	17	15	70	9	M8x20	60	-	363044 64510
76	(Reduced) 65	98x1/6"	196	21	101,5	16	10.20	F.10	125	12	70x4	22	18	102	11	M10x25	60	-	363044 6451F
76	80	98x1/6"	256	20	116	16	18.20	F.07	90	12	55x4	17	15	70	9	M8x20	75	363044 44810	363044 64810
76	80	98x1/6"	256	20	116	16	18.65	F.10	120	12	70x4	22	18	102	11	M10x25	75	363044 4481F	363044 6481F
104	100	125x1/4"	286	20	131	10	28.20	F.07	90	12	55x4	17	15	70	9	M8x20	110	363044 45410	363044 65410
104	100	125x1/4"	286	20	131	10	28.70	F.10	125	12	70x4	22	18	102	11	M10x25	110	363044 4541F	363044 6541F
101	100	132x1/6"	286	25	131	10	-	F.07	90	12	55x4	17	15	70	9	M8x20	110	363044 45510	363044 65510
101	100	132x1/6"	286	25	131	10	-	F.10	125	12	70x4	22	18	102	11	M10x25	110	363044 4551F	363044 6551F



POS.	Denomination	PCS	MAT.
1	Body	1	AISI 316L
2	Ball	1	AISI 316L
3	Sleeves	3	AISI 316L
4	Stem	1	AISI 316L
5	Ball Seals	3	PTFE Vergine Modificato
6	Sleeve Seals	3	NBR
7	Stem Seal	1	PTFE
8	Stem Seal	1	PTFE
9	Stem or-Seal	1	FKM
10	Register ring	1	AISI 304L (303)
11	Locknut	1	AISI 303

