

363031_T_3 SEALS STANDARD SEALS - GAROLLA



THREE-way ball valve three seals with "T" port
Drive: ISO 5211 - DIN 3337 flange for actuator
Connection: GAROLLA
Flow: Full and reduced
Material: Aisi 316L (1.4404)
Measure: from DN65 to DN100
Seals: Modified Virgin P.T.F.E.
Operating temperature: -20°C+170°C
Outer finish: Polished

On request:

Antistatic device ATEX:

II 2G Ex h IIC T4 Gb

II 2D Ex h IIIC T135°C Db

M.O.C.A. CE 1935/2004

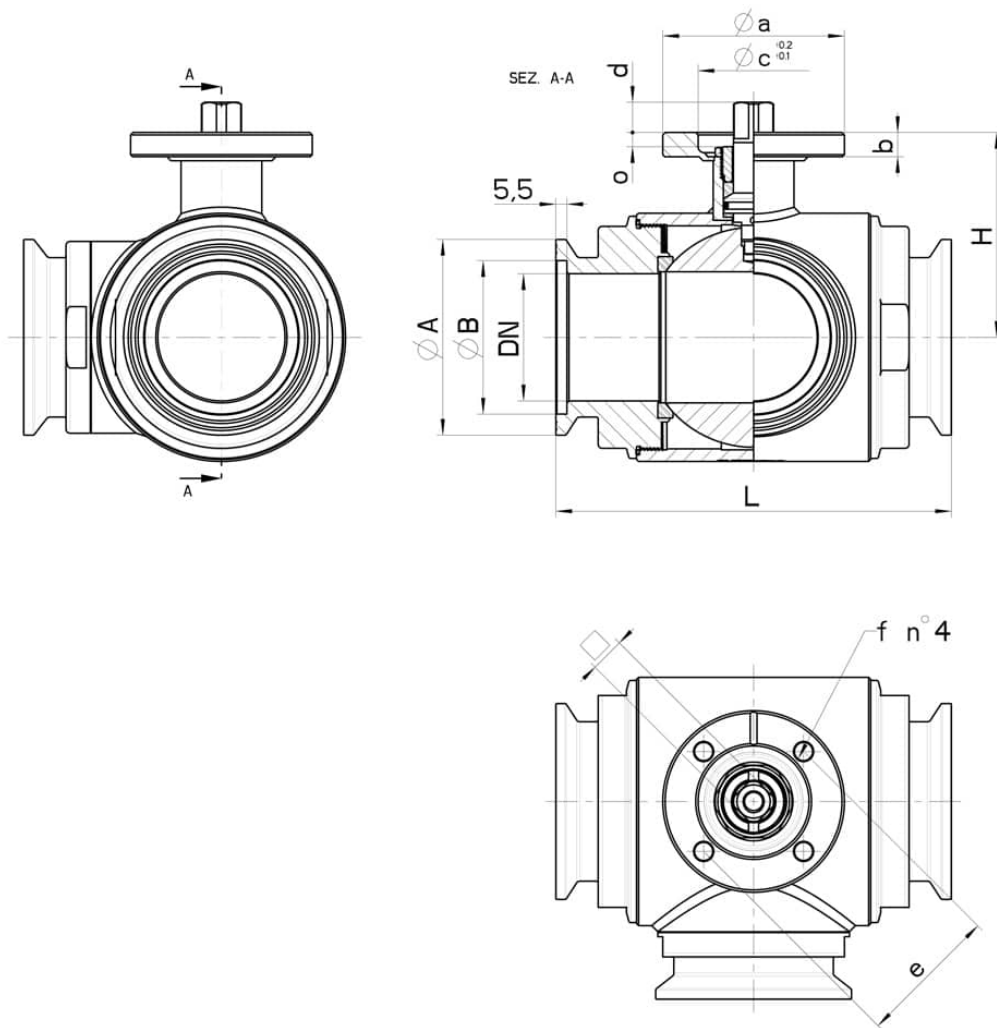
• Seals made of:

PTFE with glass -20°C+170°C

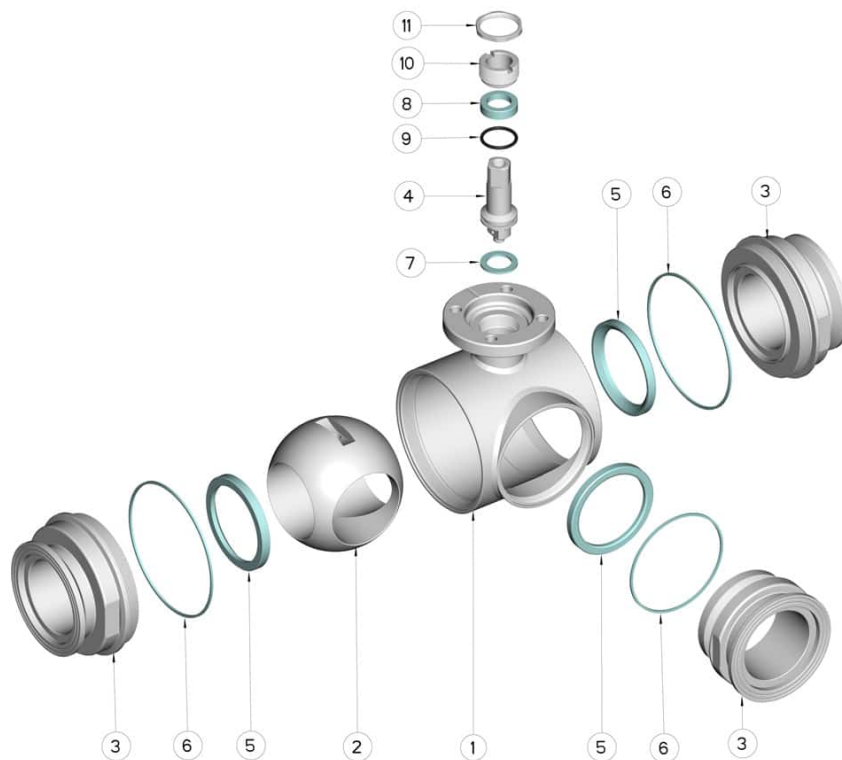
PTFE with carbographite -20°C+180°C

PTFE with inox -20°C+200°C

UHMW High-molecular weight polyethylene -200°C+80°C



GAROLLA	DN	L	Ø A	Ø B	H	PN	Kg	ISO-DIN	Ø a	b	Ø c x o	□	d	e	f	n° 4 Bolts	Nm	CODE AISI 304L	CODE AISI 316L
70	65	196	97	76	101,5	16	9,95	F.07	90	12	55x4	17	15	70	9	M8x20	60	-	363031 64410
70	65	196	97	76	101,5	16	10,45	F.10	125	12	70x4	22	18	102	11	M10x25	60	-	363031 6441F
80	80	256	109	86	116	16	18,00	F.07	90	12	55x4	17	15	70	9	M8x20	75	363031 44810	363031 64810
80	80	256	109	86	116	16	18,50	F.10	120	12	70x4	22	18	102	11	M10x25	75	363031 4481F	363031 6481F
100	100	286	129	106	131	10	28,20	F.07	90	12	55x4	17	15	70	9	M8x20	110	363031 45410	363031 65410
100	100	286	129	106	131	10	28,70	F.10	125	12	70x4	22	18	102	11	M10x25	110	363031 4541F	363031 6541F
120 *	100	298	158	129	131	10	30,70	F.07	90	12	55x4	17	15	70	9	M8x20	110	363031 45510	363031 65510
120 *	100	298	159	129	131	10	31,20	F.10	125	12	70x4	22	18	102	11	M10x25	110	363031 4551F	363031 6551F



POS.	Denomination	PCS	MAT.
1	Body	1	AISI 304L-316L
2	Ball	1	AISI 304L-316L
3	Sleeves	3	AISI 304L-316L
4	Stem	1	AISI 316L
5	Ball Seals	3	PTFE Vergine Modificato
6	Sleeve Seals	3	NBR
7	Stem Seal	1	PTFE
8	Stem Seal	1	PTFE
9	Stem or-Seal	1	FKM
10	Register ring	1	AISI 304L (303)
11	Locknut	1	AISI 303

