

363027_T_3 SEALS STANDARD SEALS - M DIN 11851



THREE-way ball valve three seals with "T" port
Drive: ISO 5211 - DIN 3337 flange for actuator
Connection: DIN 11851 male/male/male
Flow: Full
Material: Aisi 304L (1.4307) - Aisi 316L (1.4404)
Measure: from DN65 to DN100
Seals: Modified Virgin P.T.F.E.
Operating temperature: -20°C+170°C
Outer finish: Polished

On request:

Antistatic device ATEX:

II 2G Ex h IIC T4 Gb

II 2D Ex h IIIC T135°C Db

M.O.C.A. CE 1935/2004

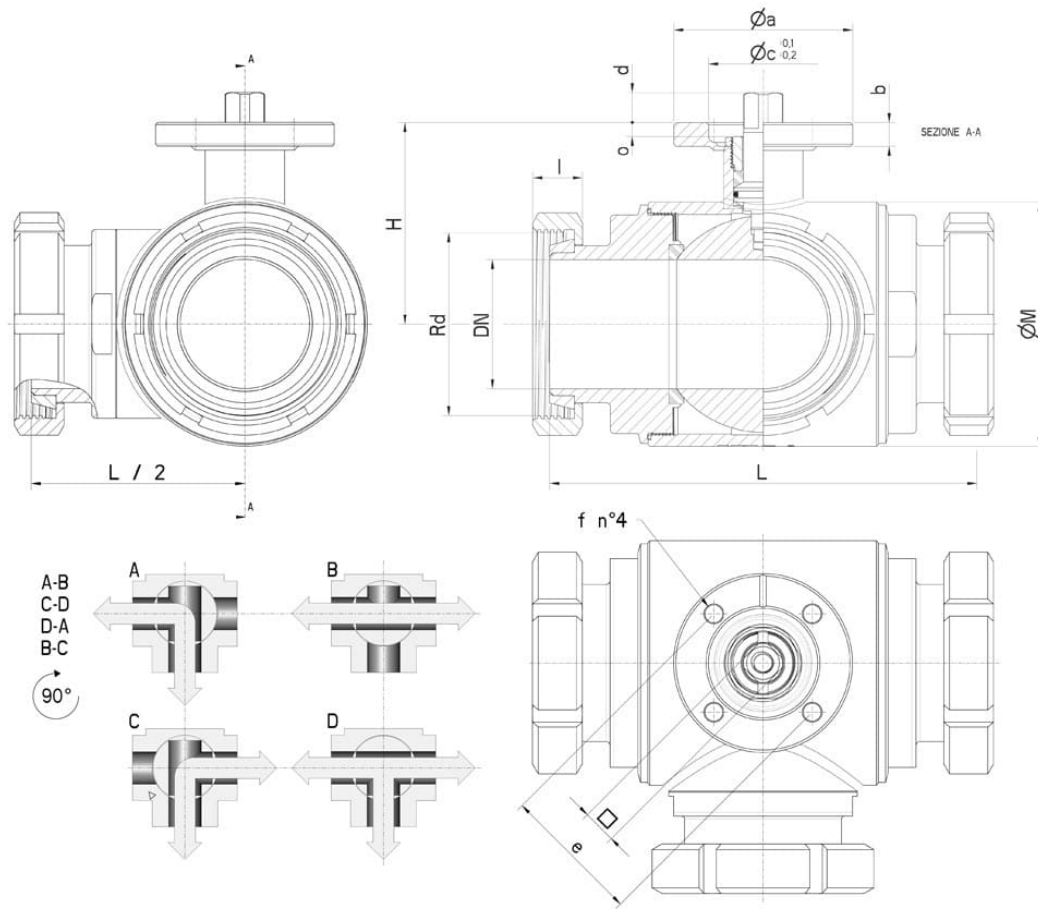
• Seals made of:

PTFE with glass -20°C+170°C

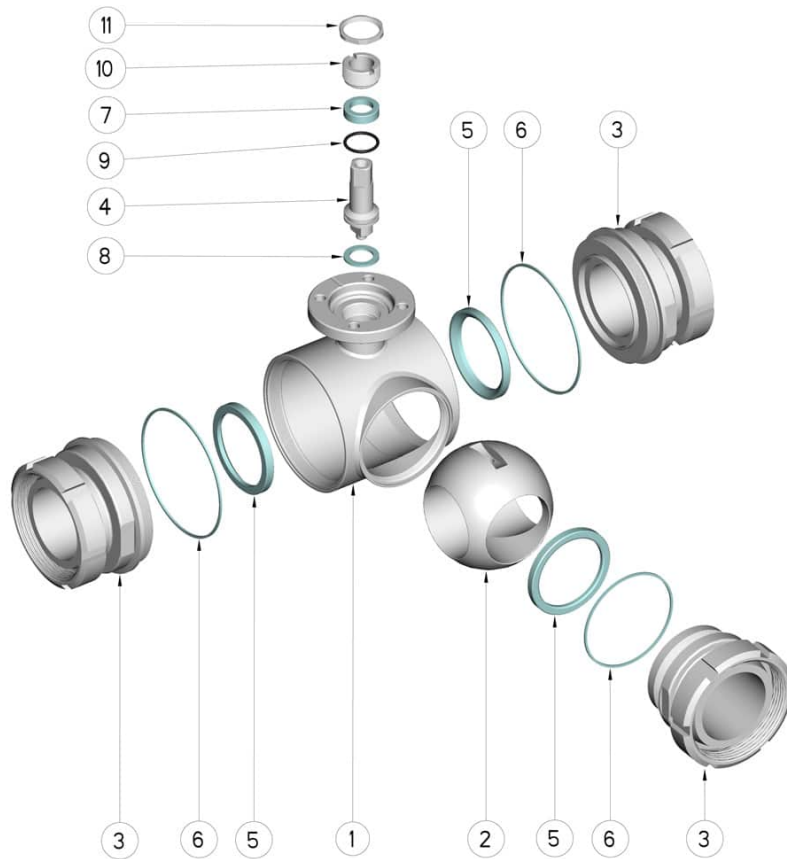
PTFE with carbographite -20°C+180°C

PTFE with inox -20°C+200°C

UHMW High-molecular weight polyethylene -20°C+80°C



DN	Rd	L	I	H	Ø M	PN	Kg	ISO-DIN	Ø a	b	Ø c x o	□	d	e	f	n° 4 Bolts	Nm	CODE AISI 304L	CODE AISI 316L
65	95 x 1/6"	214	25	101.5	123	16	-	F.07	90	12	55x4	17	15	70	9	M8x20	60	363027 44410	363027 64410
65	95 x 1/6"	214	25	101.5	123	16	-	F.10	125	12	70x4	22	18	102	11	M10x25	60	363027 4441F	363027 6441F
80	110 x 1/4"	266	30	116	160	16	-	F.07	90	12	55x4	17	15	70	9	M8x20	75	363027 44810	363027 64810
80	110 x 1/4"	266	30	116	160	16	-	F.10	120	12	70x4	22	18	102	11	M10x25	75	363027 4481F	363027 6481F
100	130 x 1/4"	302	31	131	190	10	-	F.07	90	12	55x4	17	15	70	9	M8x20	110	363027 45410	363027 65410
100	130 x 1/4"	302	31	131	190	10	-	F.10	125	12	70x4	22	18	102	11	M10x25	110	363027 4541F	363027 6541F



POS.	Denomination	PCS	MAT.
1	Body	1	AISI 304L - 316L
2	Ball	1	AISI 304L - 316L
3	Sleeves	3	AISI 304L - 316L
4	Stem	1	AISI 304L - 316L
5	Ball Seals	4	PTFE Vergine Modificato
6	Sleeve Seals	3	PTFE
7	Stem Seal	1	PTFE
8	Stem Seal	1	PTFE
9	Stem or-Seal	1	FKM
10	Register ring	1	AISI 304L (303)
11	Locknut	1	AISI 303

