

## 363025\_T\_3 SEALS STANDARD SEALS - F DIN 11851



THREE-way ball valve three seals with "T" port  
Drive: ISO 5211 - DIN 3337 flange for actuator  
Connection: DIN 11851 female/female/female  
Flow: Full  
Material: Aisi 304L (1.4307) - Aisi 316L (1.4404)  
Measure: from DN65 to DN100  
Seals: Modified Virgin P.T.F.E.  
Operating temperature: -20°C+170°C  
Outer finish: Polished

On request:

Antistatic device ATEX:

II 2G Ex h IIC T4 Gb

II 2D Ex h IIIC T135°C Db

M.O.C.A. CE 1935/2004

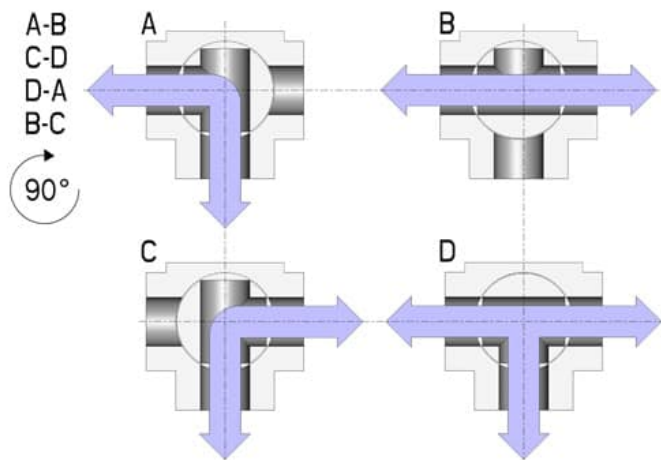
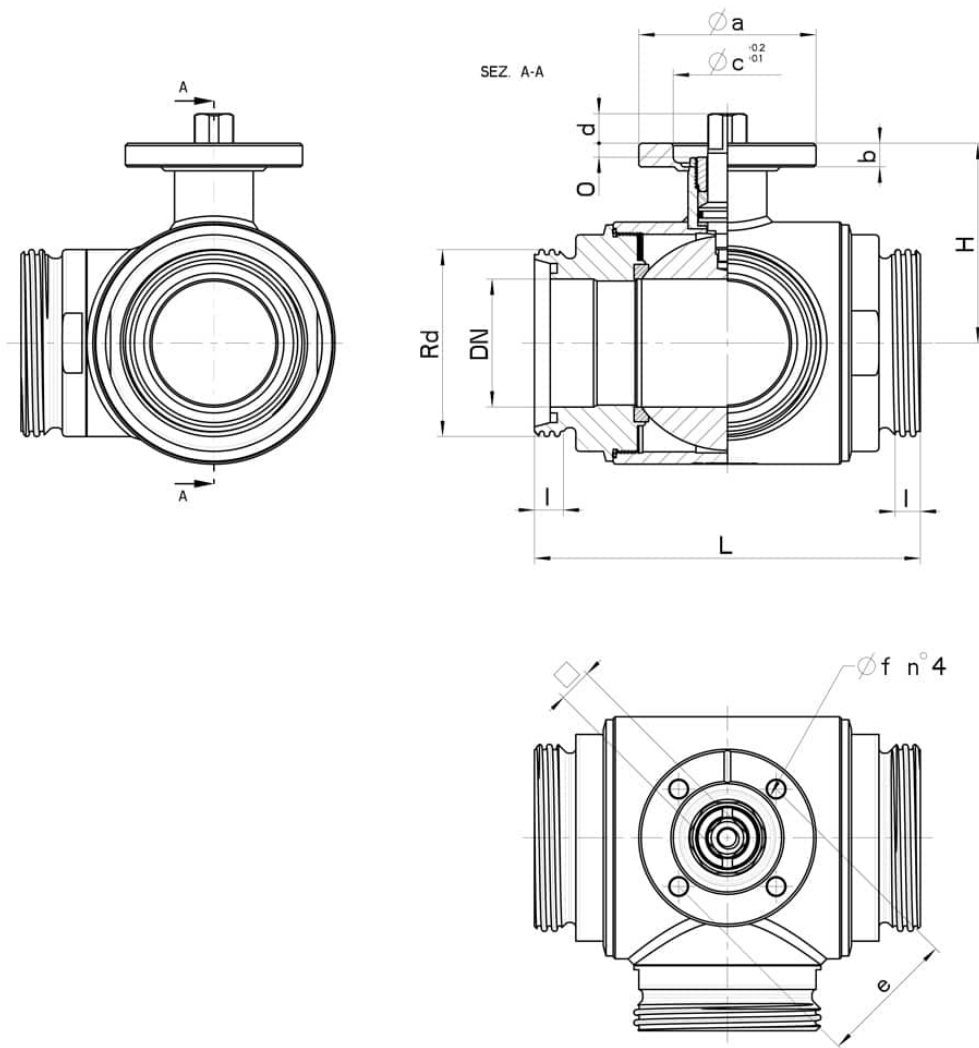
• Seals made of:

PTFE with glass -20°C+170°C

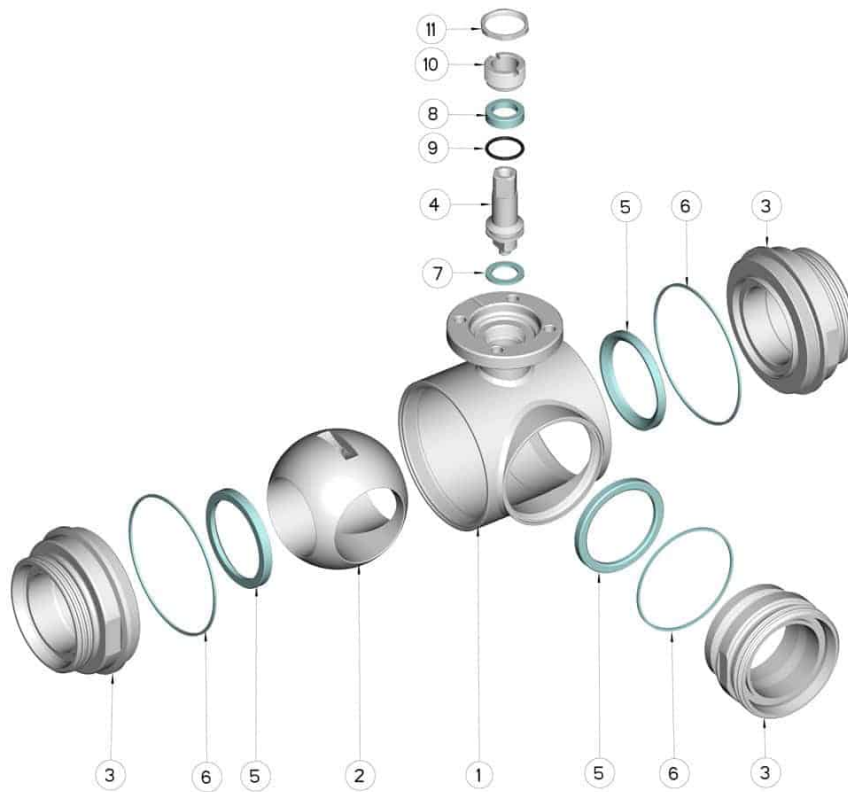
PTFE with carbographite -20°C+180°C

PTFE with inox -20°C+200°C

UHMW High-molecular weight polyethylene -20°C+80°C



DIN	DN	Rd	L	I	H	PN	Kg	ISO-DIN	Ø a	b	Ø c x o	□	d	e	f	n° 4 Bolts	Nm	CODE AISI 304L	CODE AISI 316L
65	65	95x1/6"	196	16	101,5	16	9.72	F.07	90	12	55x4	17	15	70	9	M8x20	60	-	363025 64410
65	65	95x1/6"	196	16	101,5	16	10.20	F.10	125	12	70x4	22	18	102	11	M10x25	60	-	363025 6441F
80	80	110x1/4"	256	20	116	16	18.20	F.07	90	12	55x4	17	15	70	9	M8x20	75	363025 44810	363025 64810
80	80	110x1/4"	256	20	116	16	18.65	F.10	120	12	70x4	22	18	102	11	M10x25	75	363025 4481F	363025 6481F
100	100	130x1/4"	286	20	131	10	28.20	F.07	90	12	55x4	17	15	70	9	M8x20	110	363025 45410	363025 65410
100	100	130x1/4"	286	20	131	10	28.70	F.10	125	12	70x4	22	18	102	11	M10x25	110	363025 4541F	363025 6541F
125	(Reduced) 100	160x1/4"	286	25	131	10	-	F.07	90	12	55x4	17	15	70	9	M8x20	130	363025 45510	363025 65510
125	(Reduced) 100	160x1/4"	286	25	131	10	-	F.10	125	12	70x4	22	18	102	11	M10x25	130	363025 4551F	363025 6551F



POS.	Denomination	PCS	MAT.
1	Body	1	AISI 316L
2	Ball	1	AISI 316L
3	Sleeves	3	AISI 316L
4	Stem	1	AISI 316L
5	Ball Seals	3	PTFE Vergine Modificato
6	Sleeve Seals	3	NBR
7	Stem Seal	1	PTFE
8	Stem Seal	1	PTFE
9	Stem or-Seal	1	FKM
10	Register ring	1	AISI 304L (303)
11	Locknut	1	AISI 303

