

363001_T_3 SEALS STANDARD SEALS - ISO 228 F



THREE-way ball valve three seals with "T" port
Drive: ISO 5211 - DIN 3337 flange for actuator
Connection: ISO 228 female/female/female thread
Flow: Full
Material: Aisi 304L (1.4307) - Aisi 316L (1.4404)
Measure: from 2"1/2 to 4"
Seals: Modified Virgin P.T.F.E.
Operating temperature: -20°C+170°C
Outer finish: Polished

On request:

Antistatic device ATEX:

II 2G Ex h IIC T4 Gb

II 2D Ex h IIIC T135°C Db

M.O.C.A. CE 1935/2004

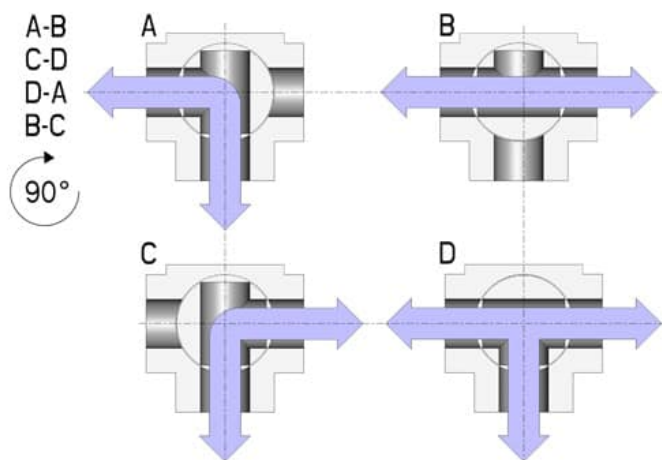
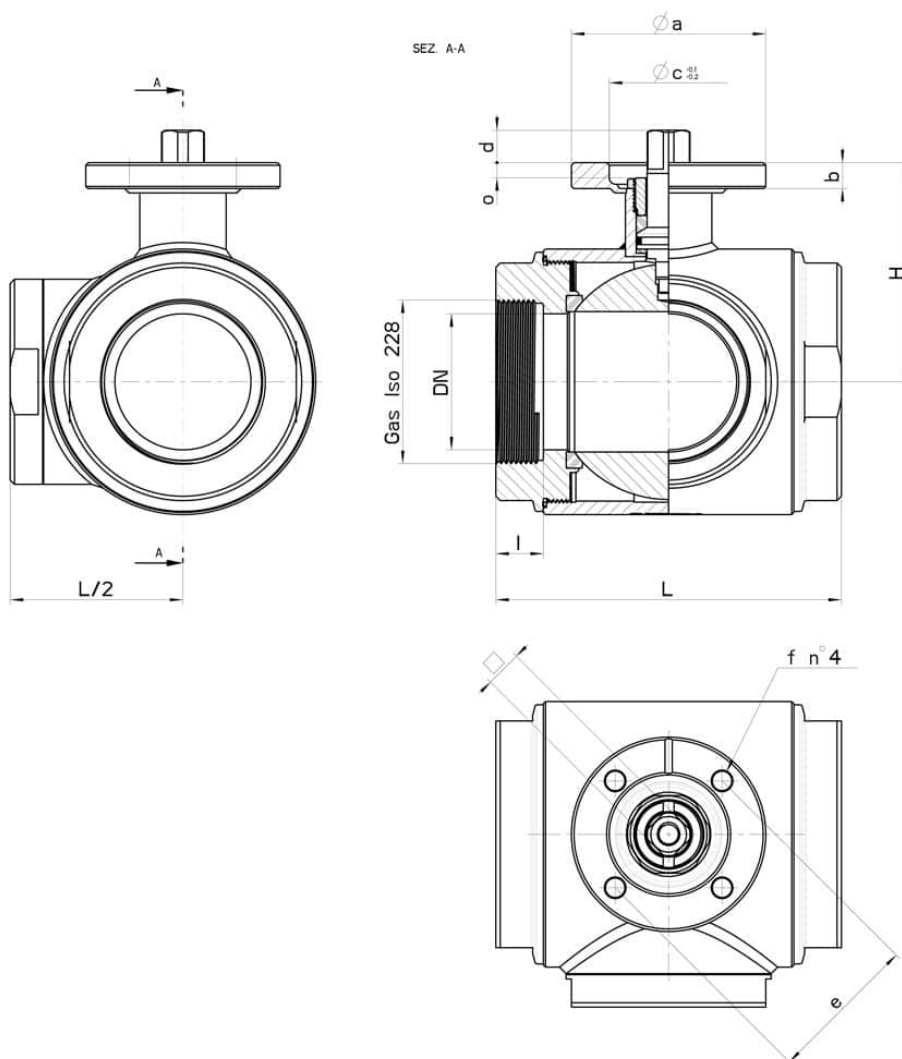
• Seals made of:

PTFE with glass -20°C+170°C

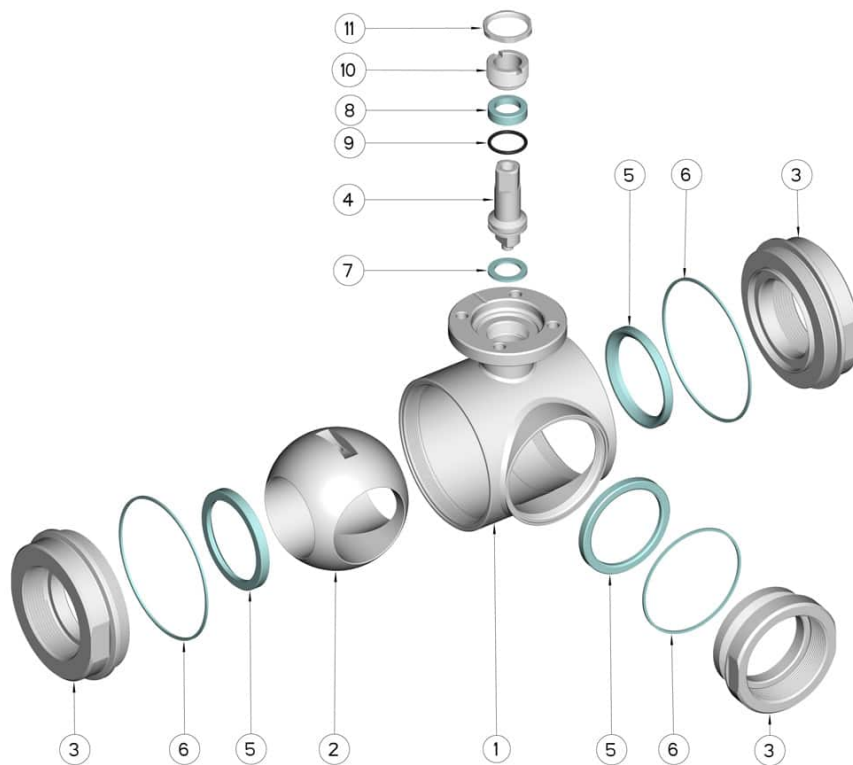
PTFE with carbographite -20°C+180°C

PTFE with inox -20°C+200°C

UHMW High-molecular weight polyethylene -20°C+80°C



Gas Iso 228	DN	L	I	H	PN	Kg	ISO-DIN	Ø a	b	Ø c x o	□	d	e	f n° 4 Ø	n° 4 Bolts	Nm	CODE AISI 304L	CODE AISI 316L
2"1/2	65	160	22	101,5	16	8,57	F.07	90	12	55x4	17	15	70	9	M8x20	60	-	363001 64410
2"1/2	65	160	22	101,5	16	9,06	F.10	125	12	70x4	22	18	102	11	M10x25	60	-	363001 6441F
3"	80	200	26	116	16	16,30	F.07	90	12	55x4	17	15	70	9	M8x20	75	363001 44810	363001 64810
3"	80	200	26	116	16	16,80	F.10	120	12	70x4	22	18	102	11	M10x25	75	363001 4481F	363001 6481F
4"	100	240	26	131	10	25,90	F.07	90	12	55x4	17	15	70	9	M8x20	110	363001 45410	363001 65410
4"	100	240	26	131	10	26,17	F.10	125	12	70x4	22	18	102	11	M10x25	110	363001 4541F	363001 6541F



POS.	Denomination	PCS	MAT.
1	Body	1	AISI 316L
2	Ball	1	AISI 316L
3	Sleeves	3	AISI 316L
4	Stem	1	AISI 316L
5	Ball Seals	3	PTFE
6	Sleeve Seals	3	NBR
7	Stem Seal	1	PTFE
8	Stem Seal	1	PTFE
9	Stem or-Seal	1	FKM
10	Register ring	1	AISI 304L (303)
11	Locknut	1	AISI 303

