

360150_T_3 SEALS STANDARD SEALS_REVOLVING THREADED FLANGES UNI EN 1092-1



THREE-way ball valve three seals with "T" port
Drive: Inox lever
Connection: Revolving threaded flanges UNI EN 1092-1
Flow: Full and reduced
Material: Aisi 304L (1.4307) - Aisi 316L (1.4404)
Measure: from DN65 to DN100
Seals: Modified Virgin P.T.F.E.
Operating temperature: -20°C+170°C
Outer finish: Polished

On request:

Antistatic device ATEX:

II 2G Ex h IIC T4 Gb

II 2D Ex h IIIC T135°C Db

M.O.C.A. CE 1935/2004

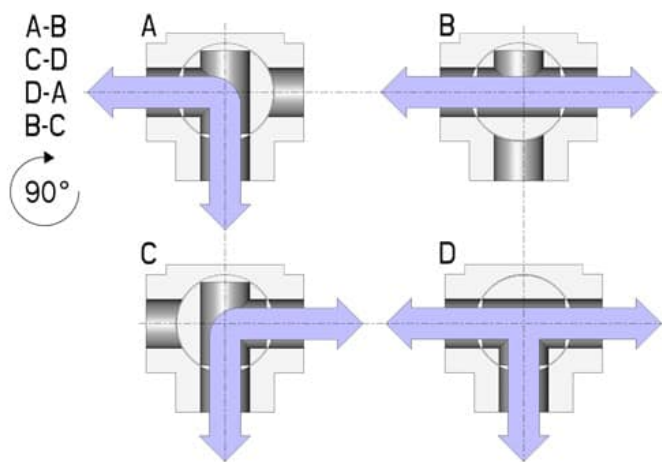
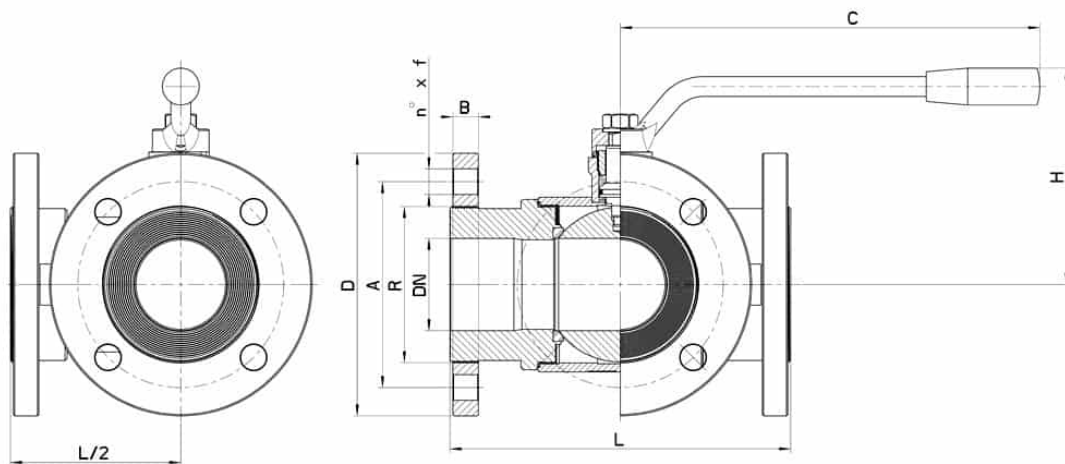
• Seals made of:

PTFE with glass -20°C+170°C

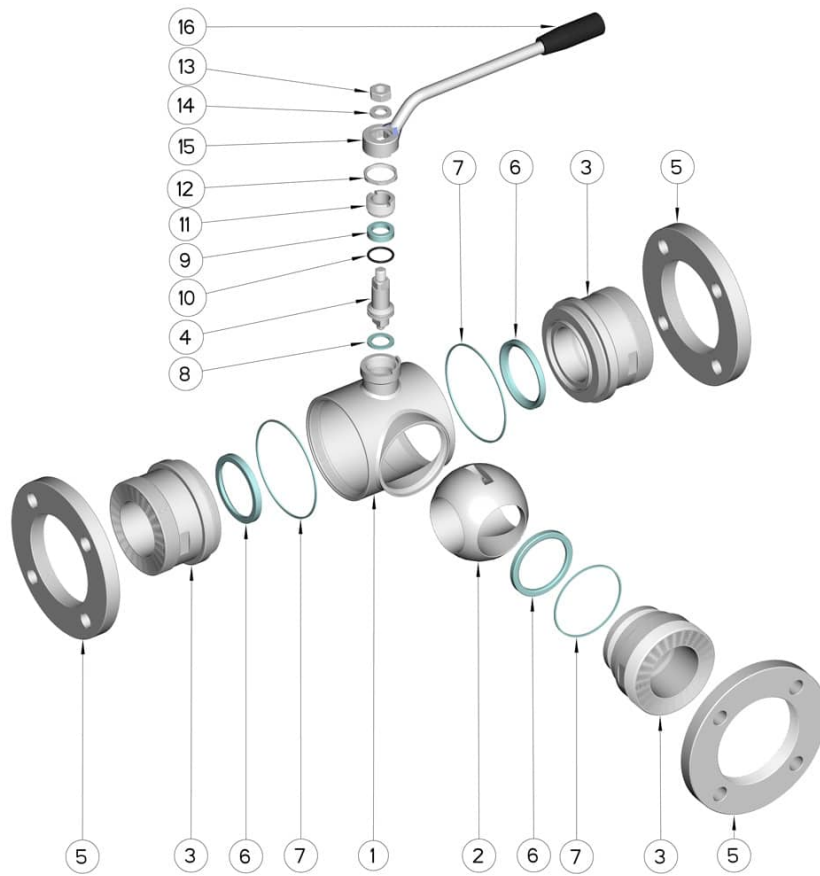
PTFE with carbographite -20°C+180°C

PTFE with inox -20°C+200°C

UHMW High-molecular weight polyethylene -20°C+80°C



DN	DN	L	C	H	D	B	R	A	n° x F	PN	Kg	COD. AISI 304L	COD. AISI 316L
65	65	240	300	160	185	18	110	145	4x18	16	-	-	360150 64410
80	80	260	330	175	200	18	120	160	8x18	16	-	360150 44810	360150 64810
100	100	300	330	190	220	20	140	180	8x18	10	-	360150 45410	360150 65410
125	(Reduced) 100	325	330	190	250	22	153	210	8x18	10	-	360150 45510	360150 65510



POS.	Denomination	PCS	MAT.
1	Body	1	AISI 304L - 316L
2	Ball	1	AISI 304L - 316L
3	Sleeves	3	AISI 304L - 316L
4	Stem	1	AISI 304L - 316L
5	Flanges	3	AISI 304L - 316L
6	Ball Seals	3	PTFE Vergine Modificato
7	Sleeve Seals	3	PTFE
8	Stem Seal	1	PTFE
9	Stem Seal	1	PTFE
10	Stem or-Seal	1	FKM
11	Register ring	1	AISI 304L (303)
12	Locknut	1	AISI 304L
13	Nut	1	AISI 304L
14	Washer	1	AISI 304L
15	Lever	1	AISI 304L
16	Handle	1	Resin

