

360146_T_3 SEALS STANDARD SEALS - M SMS



THREE-way ball valve THREE seals with "T" port

Drive: Inox lever

Connection: SMS male/male/male

Flow: Full

Material: Aisi 316L (1.4404)

Measure: from DN65 to DN100

Seals: Modified Virgin P.T.F.E.

Operating temperature: -20°C+170°C

Outer finish: Polished

On request:

Antistatic device ATEX:

II 2G Ex h IIC T4 Gb

II 2D Ex h IIIC T135°C Db

M.O.C.A. CE 1935/2004

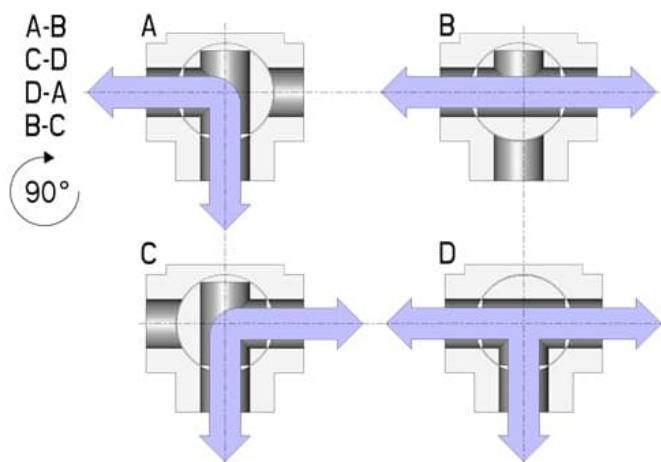
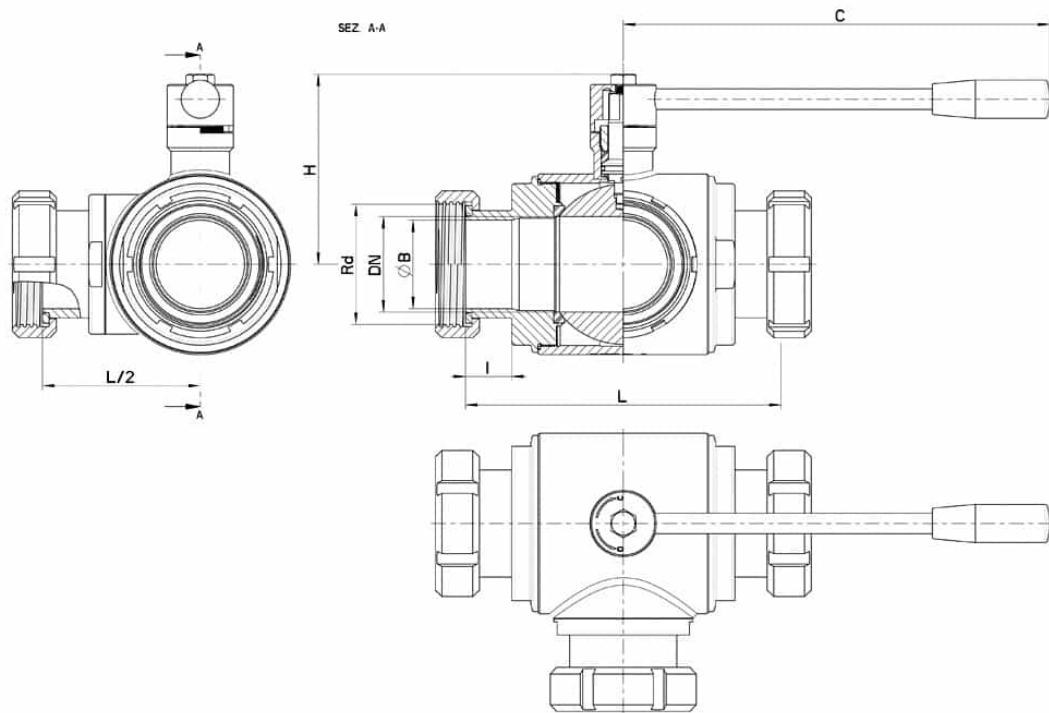
• Seals made of:

PTFE with glass -20°C+170°C

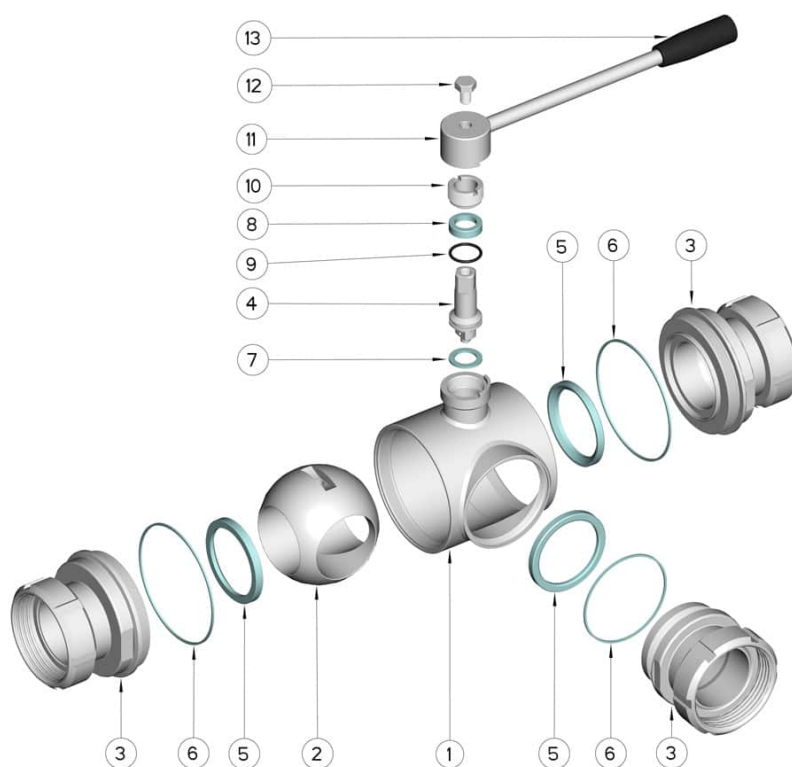
PTFE with carbographite -20°C+180°C

PTFE with inox -20°C+200°C

UHMW High-molecular weight polyethylene -20°C+80°C



SMS	Ø B	DN	Rd	L	I	C	H	PN	Kg	CODE AISI 316L
63	60,3	65	85 x 1/6"	214	25	285	130	16	-	360146 64410
76	72	(Reduced) 65	98 x 1/6"	214	25	285	130	16	-	360146 64510
76	72	80	98 x 1/6"	266	30	310	145	16	-	360146 64810
104	96	100	125 x 1/4"	302	31	310	160	10	-	360146 65410
101	96	100	132 x 1/6"	302	31	310	160	10	-	360146 65510



POS.	Denomination	Pcs	MAT.
1	Body	1	AISI 316L
2	Ball	1	AISI 316L
3	Sleeves	3	AISI 316L
4	Stem	1	AISI 316L
5	Ball Seals	3	PTFE Vergine Modificato
6	Sleeve Seals	3	PTFE
7	Stem Seal	1	PTFE
8	Stem Seal	1	PTFE
9	Stem or-Seal	1	FKM
10	Register ring	1	AISI 304L (303)
11	Lever	1	AISI 304L
12	Nut	1	AISI 304L
13	Handle	1	Handle

