

360144_T_3 SEALS STANDARD SEALS - F SMS



THREE-way ball valve three seals with "T" port

Drive: Inox lever

Connection: SMS female/female/female

Flow: Full

Material: Aisi 316L (1.4404)

Measure: from DN65 to DN100

Seals: Modified Virgin P.T.F.E.

Operating temperature: -20°C+170°C

Outer finish: Polished

On request:

Antistatic device ATEX:

II 2G Ex h IIC T4 Gb

II 2D Ex h IIIC T135°C Db

M.O.C.A. CE 1935/2004

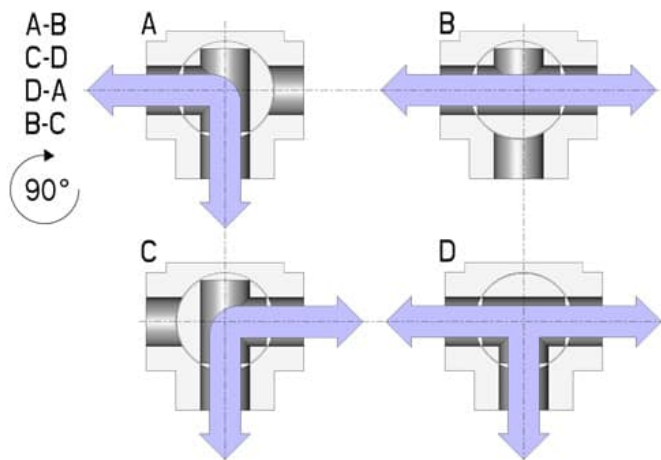
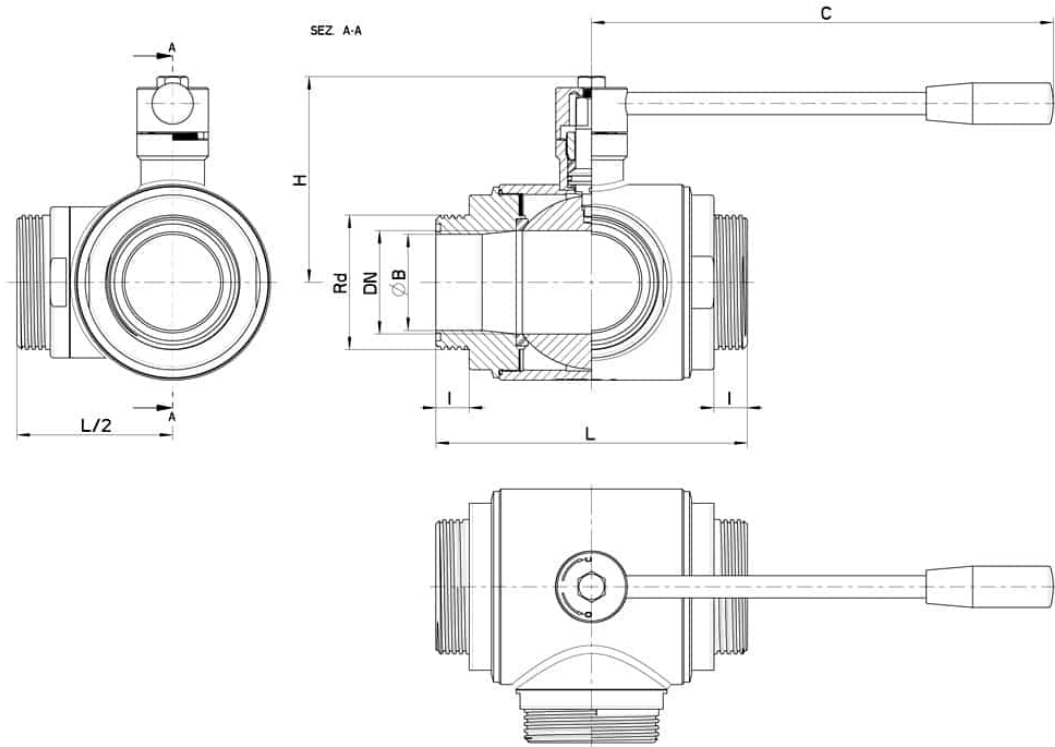
• Seals made of:

PTFE with glass -20°C+170°C

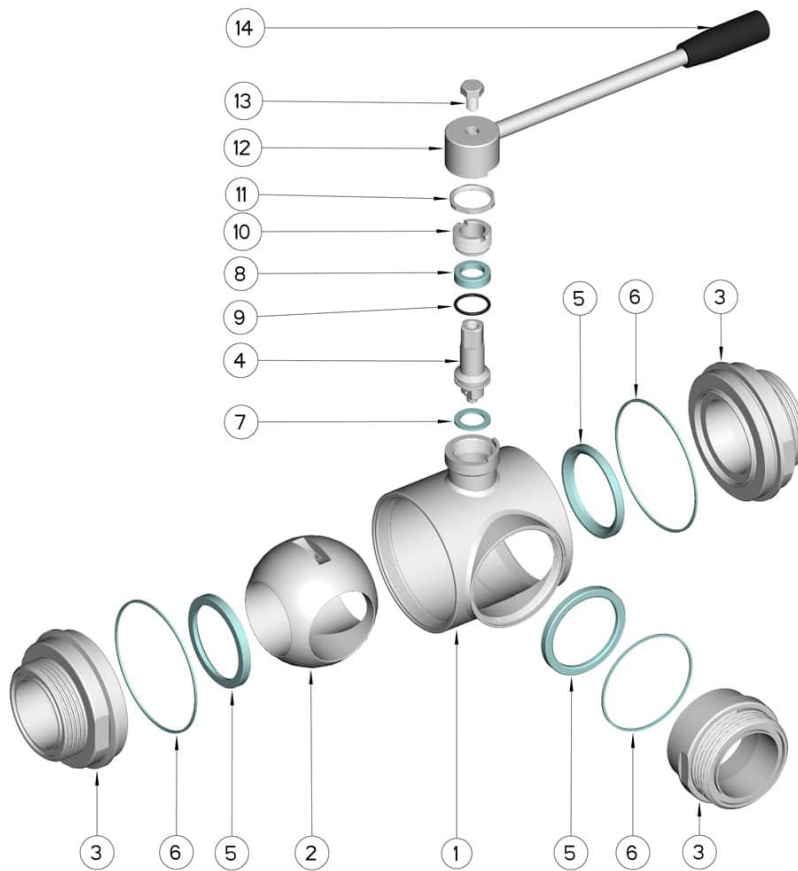
PTFE with carbographite -20°C+180°C

PTFE with inox -20°C+200°C

UHMW High-molecular weight polyethylene -20°C+80°C



SMS	Ø B	DN	Rd	L	I	C	H	PN	Kg	CODE AISI 304L	CODE AISI 316L
63	60,5	65	85 x 1/6"	196	21	285	130	16	9,75	-	360144 64410
76	72	(Reduced) 65	98 x 1/6"	196	21	285	130	16		-	360144 64510
76	72	80	98 x 1/6"	256	27	310	145	16	18,37	360144 44810	360144 64810
104	100	100	125 x 1/4"	286	27	310	160	10	27,90	360144 45410	360144 65410
101	98	100	132 x 1/6"	286	27	310	160	10	-	360144 45510	360144 65510



POS.	Denomination	PCS	MAT.
1	Body	1	AISI 304L - 316L
2	Ball	1	AISI 304L - 316L
3	Sleeves	3	AISI 304L - 316L
4	Stem	1	AISI 304L - 316L
5	Ball Seals	4	PTFE Vergine Modificato
6	Sleeve Seals	3	PTFE
7	Stem Seal	1	PTFE
8	Stem Seal	1	PTFE
9	Stem or-Seal	1	FKM
10	Register ring	1	AISI 304L (303)
11	Nut	1	AISI 304L
12	Washer	1	AISI 304L
13	Lever	1	AISI 304L
14	Handle	1	DUROPLAST (PF)

