

360131_T_3 SEALS STANDARD SEALS - GAROLLA



THREE-way ball valve three seals with "T" port

Drive: Inox lever

Connection: GAROLLA

Flow: Full and reduced

Material: Aisi 316L (1.4404)

Measure: from DN65 to DN100

Seals: Modified Virgin P.T.F.E.

Operating temperature: -20°C+170°C

Outer finish: Polished

On request:

Antistatic device ATEX:

II 2G Ex h IIC T4 Gb

II 2D Ex h IIIC T135°C Db

M.O.C.A. CE 1935/2004

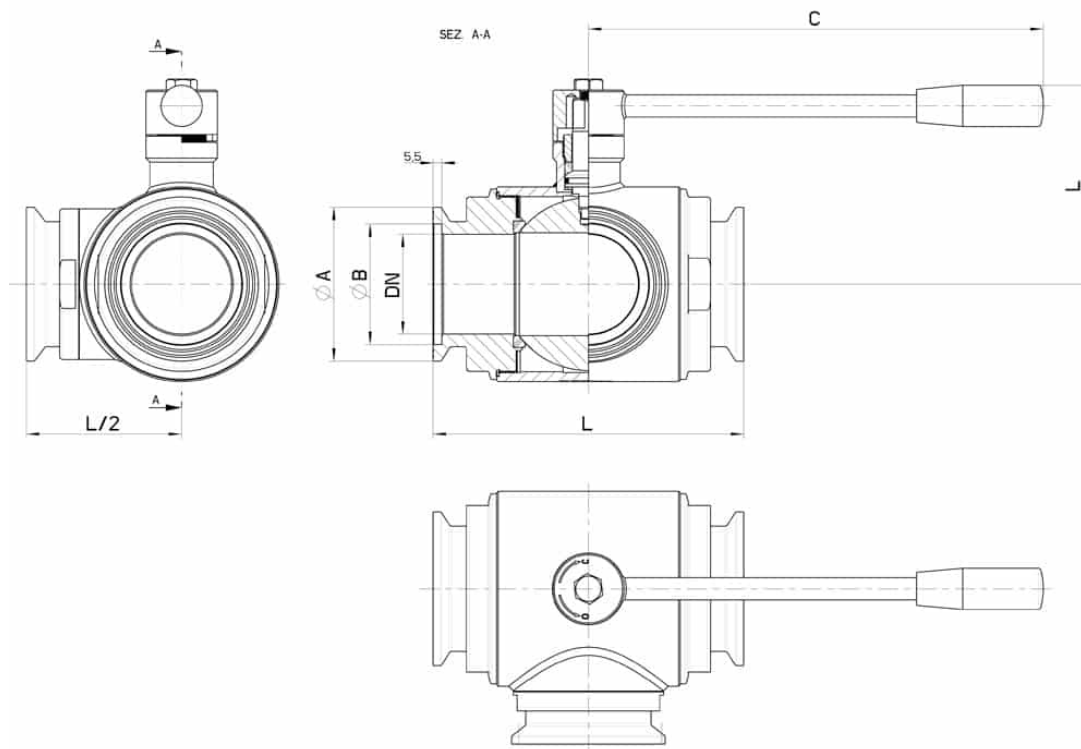
• Seals made of:

PTFE with glass -20°C+170°C

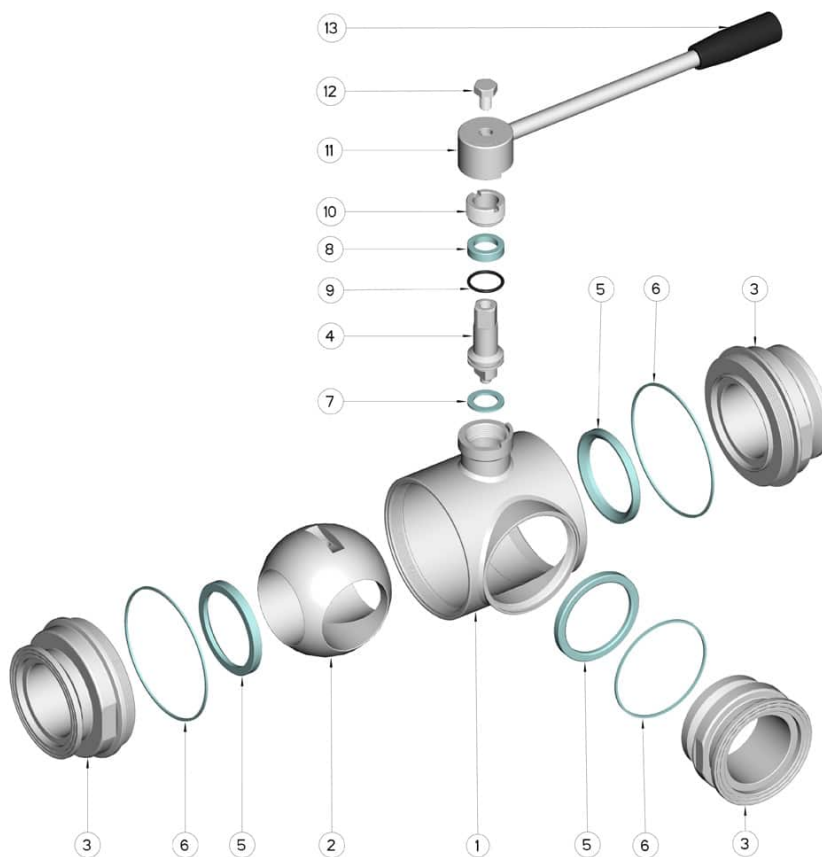
PTFE with carbographite -20°C+180°C

PTFE with inox -20°C+200°C

UHMW High-molecular weight polyethylene -200°C+80°C



GAROLLA	DN	L	Ø A	Ø B	C	H	PN	Kg	CODE AISI 304L	CODE AISI 316L
70	65	196	97	76	235	130	16	10,20	-	360131 64410
80	80	256	109	86	285	145	16	18,20	360131 44810	360131 64810
100	100	286	129	106	310	160	10	28,40	360131 45410	360131 65410
120	(Reduced) 100	298	158	129	310	160	10	30,90	360131 45510	360131 65510



POS.	Denomination	PCS	MAT.
1	Body	1	AISI 316L
2	Ball	1	AISI 316L
3	Sleeves	3	AISI 316L
4	Stem	1	AISI 316L
5	Ball Seals	3	PTFE Vergine Modificato
6	Sleeve Seals	3	NBR
7	Stem Seal	1	PTFE
8	Stem Seal	1	PTFE
9	Stem or-Seal	1	FKM
10	Register ring	1	AISI 304L (303)
11	Nut	1	AISI 304L
12	Washer	1	AISI 304L
13	Lever	1	AISI 304L
14	Handle	1	DUROPLAST (PF)

