

360130 T_3 SEALS_FOR ISO PIPE



THREE-way ball valve three seals with "T" port

Drive: Inox lever

Connection: **CLAMP normative DIN 32676 TAB.3 REIHE B**
For TUBE according to normative ISO 1127

Flow: Full and reduced

Material: Aisi 316L (1.4404)

Measure: from DN65 to DN100

Seals: Modified Virgin P.T.F.E.

Operating temperature: -20°C +170°C

Outer finish: Polished

On request:

Antistatic device ATEX:

II 2G Ex h IIC T4 Gb

II 2D Ex h IIIC T135°C Db

M.O.C.A. CE 1935/2004

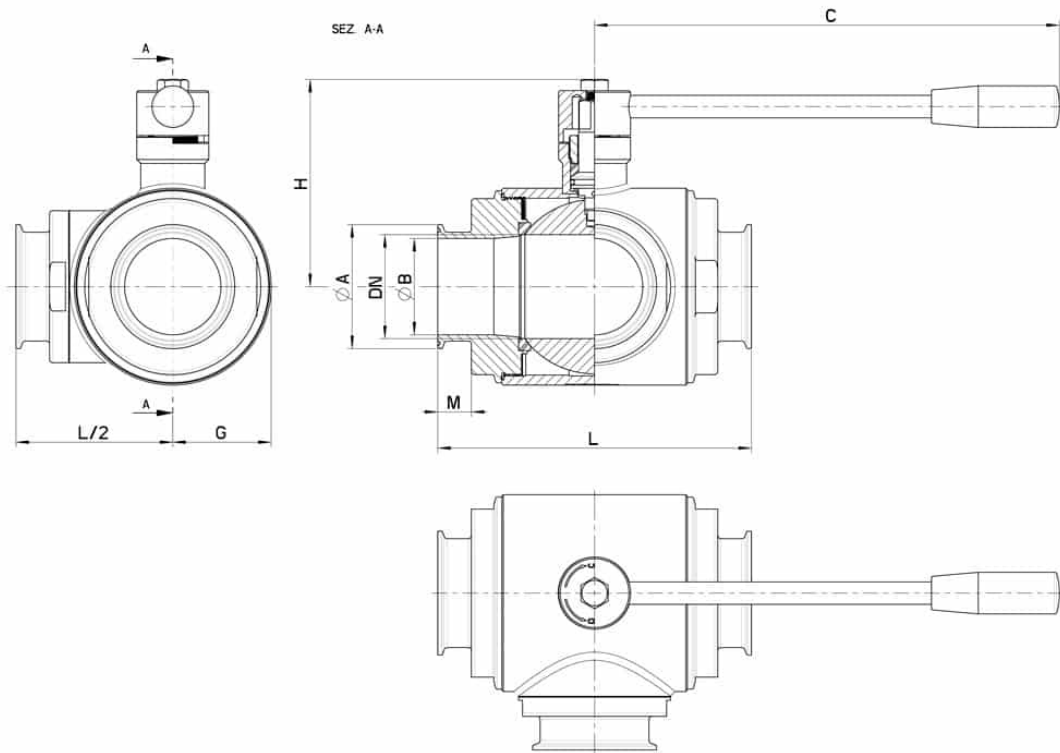
• Seals made of:

PTFE with glass -20°C+170°C

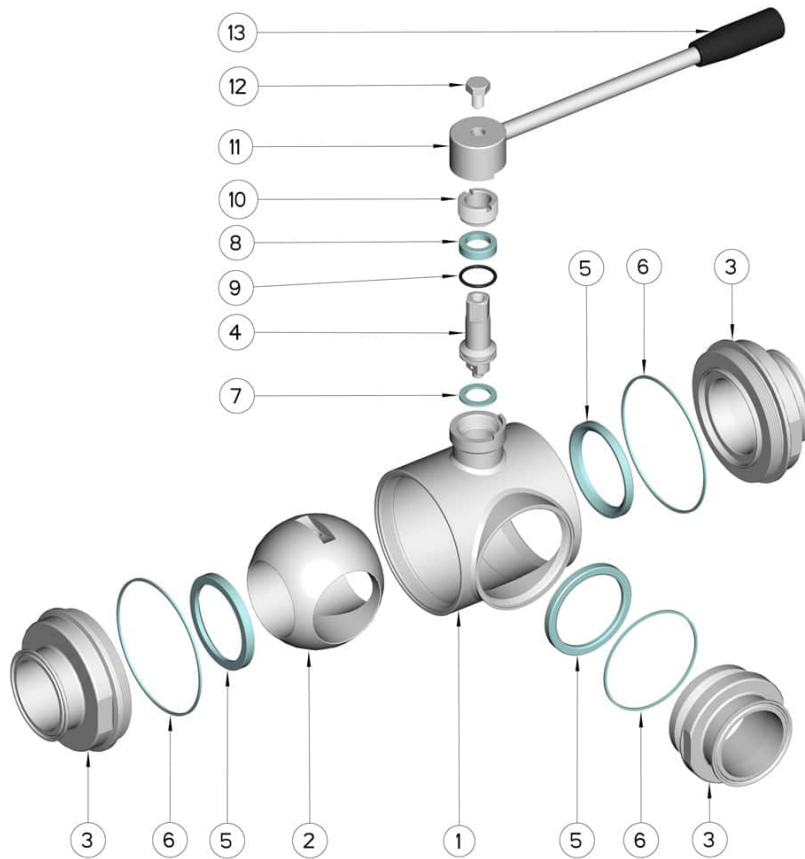
PTFE with carbographite -20°C+180°C

PTFE with inox -20°C+200°C

UHMW High-molecular weight polyethylene -20°C+80°C



CLAMP REIHE B OD	DN	L	G	Ø A	Ø B	C	H	PN	Kg	CODE AISI 316L
76,1	65	196	80	91	72,1	285	130	16	-	360130 64710
88,9	80	256	100	106	84,3	310	145	16	-	360130 65110
114,3	100	286	120	130	109,7	310	160	10	-	360130 65310



POS.	DENOMINATION	PCS	MAT.
1	Body	1	AISI 316L
2	Ball	1	AISI 316L
3	Sleeves	3	AISI 316L
4	Stem	1	AISI 316L
5	Ball Seals	3	PTFE Vergine Modificato
6	Sleeve Seals	3	NBR
7	Stem Seal	1	PTFE
8	Stem Seal	1	PTFE
9	Stem or-Seal	1	FKM
10	Register ring	1	AISI 304L (303)
11	Lever	1	AISI 304L
12	SCREW	1	AISI 304L
13	Handle	1	Resin

