

## 360127\_T\_3 SEALS STANDARD SEALS - M DIN 11851



THREE-way ball valve three seals with "T" port

Drive: Inox lever

Connection: DIN 11851 male/male/male

Flow: Full

Material: Aisi 304L (1.4307) - Aisi 316L (1.4404)

Measure: from DN65 to DN100

Seals: Modified Virgin P.T.F.E.

Operating temperature: -20°C+170°C

Outer finish: Polished

On request:

Antistatic device ATEX:

II 2G Ex h IIC T4 Gb

II 2D Ex h IIIC T135°C Db

M.O.C.A. CE 1935/2004

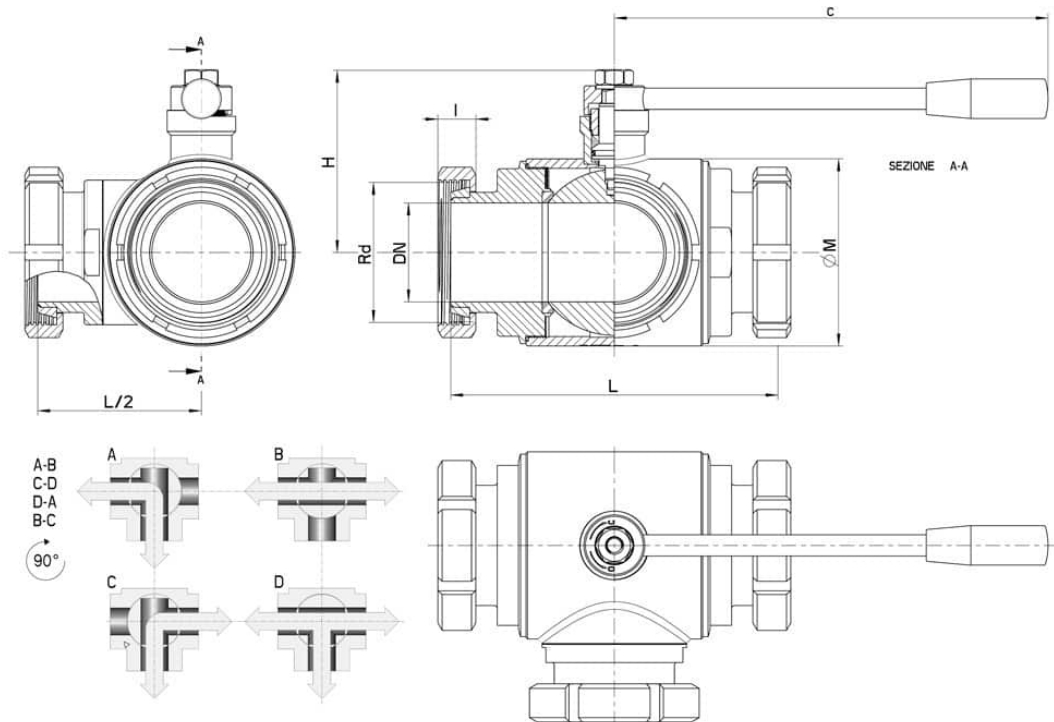
• Seals made of:

PTFE with glass -20°C+170°C

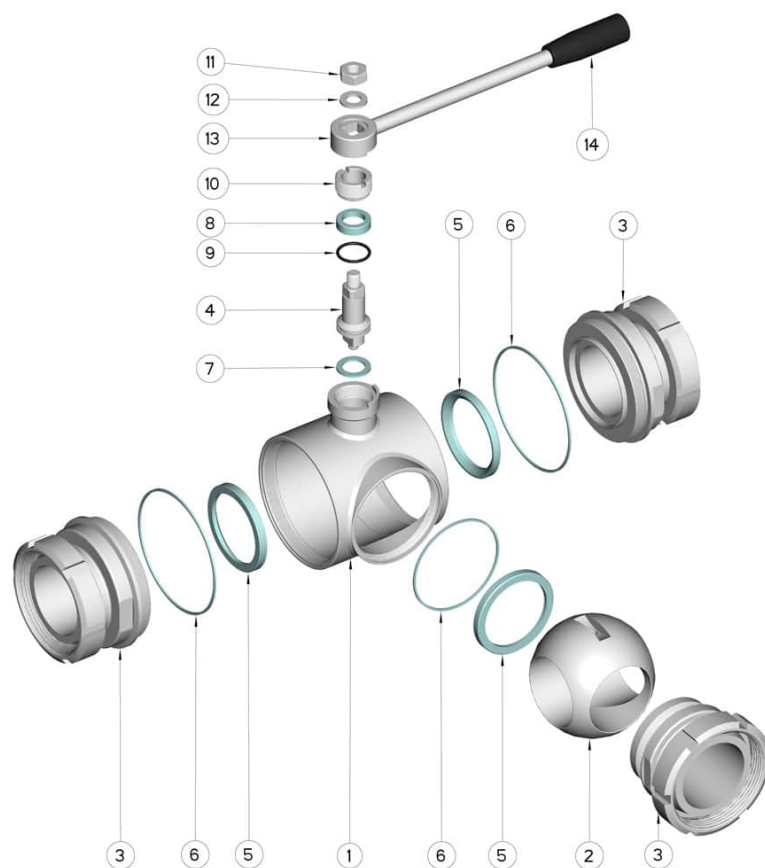
PTFE with carbographite -20°C+180°C

PTFE with inox -20°C+200°C

UHMW High-molecular weight polyethylene -20°C+80°C



DN	Rd	L	I	C	H	Ø M	PN	Kg	CODE AISI 304L	CODICE AISI 316
65	95 x 1/6"	214	25	285	130	123	16	-	360127 44410	360127 64410
80	110 x 1/4"	266	30	310	145	160	16	-	360127 44810	360127 64810
100	130 x 1/4"	302	31	310	160	190	10	-	360127 45410	360127 65410



POS.	Denomination	PCS	MAT.
1	Body	1	AISI 304L - 316L
2	Ball	1	AISI 304L - 316L
3	Sleeves	3	AISI 304L - 316L
4	Stem	1	AISI 304L - 316L
5	Ball Seals	4	PTFE Vergine Modificato
6	Sleeve Seals	3	PTFE
7	Stem Seal	1	PTFE
8	Stem Seal	1	PTFE
9	Stem or-Seal	1	FKM
10	Register ring	1	AISI 304L (303)
11	Nut	1	AISI 304L
12	Washer	1	AISI 304L
13	Lever	1	AISI 304L
14	Handle	1	DUROPLAST (PF)

