

360101_T_3 SEALS STANDARD SEALS - ISO 228 F



THREE-way ball valve three seals with "T" port
Drive: Inox lever
Connection: ISO 228 female/female/female thread
Flow: Full
Material: Aisi 304L (1.4307) - Aisi 316L (1.4404)
Measure: from 2"1/2 to 4"
Seals: Modified Virgin P.T.F.E.
Operating temperature: -20°C+170°C
Outer finish: Polished

On request:

Antistatic device ATEX:

II 2G Ex h IIC T4 Gb

II 2D Ex h IIIC T135°C Db

M.O.C.A. CE 1935/2004

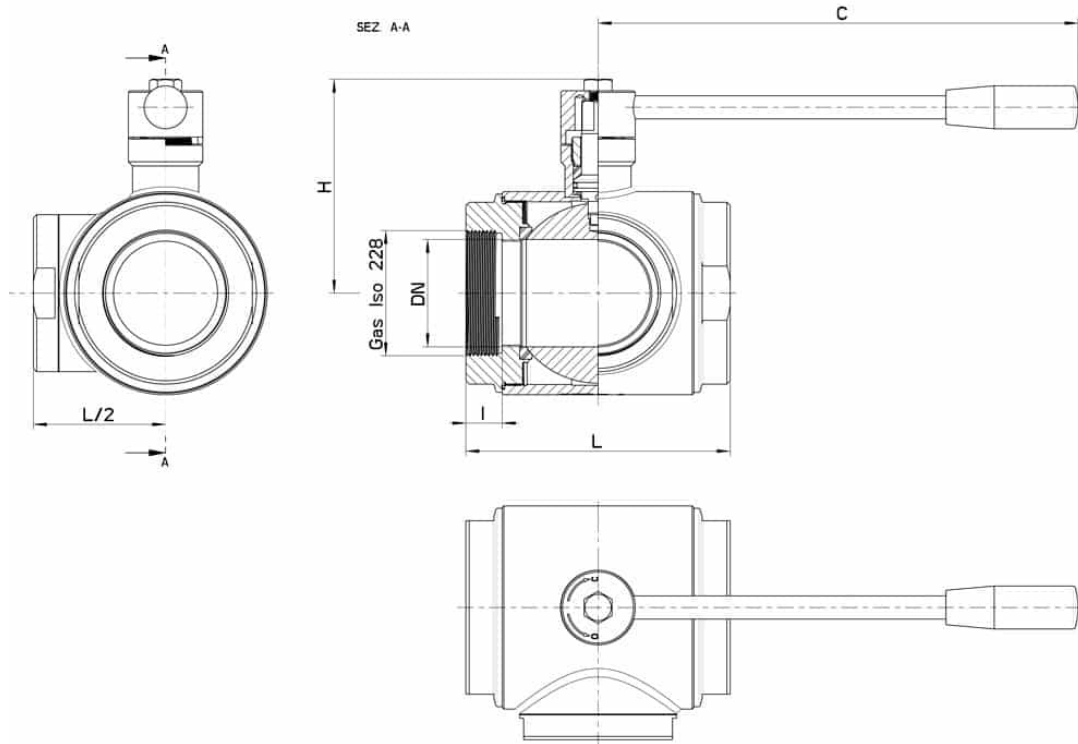
• Seals made of:

PTFE with glass -20°C+170°C

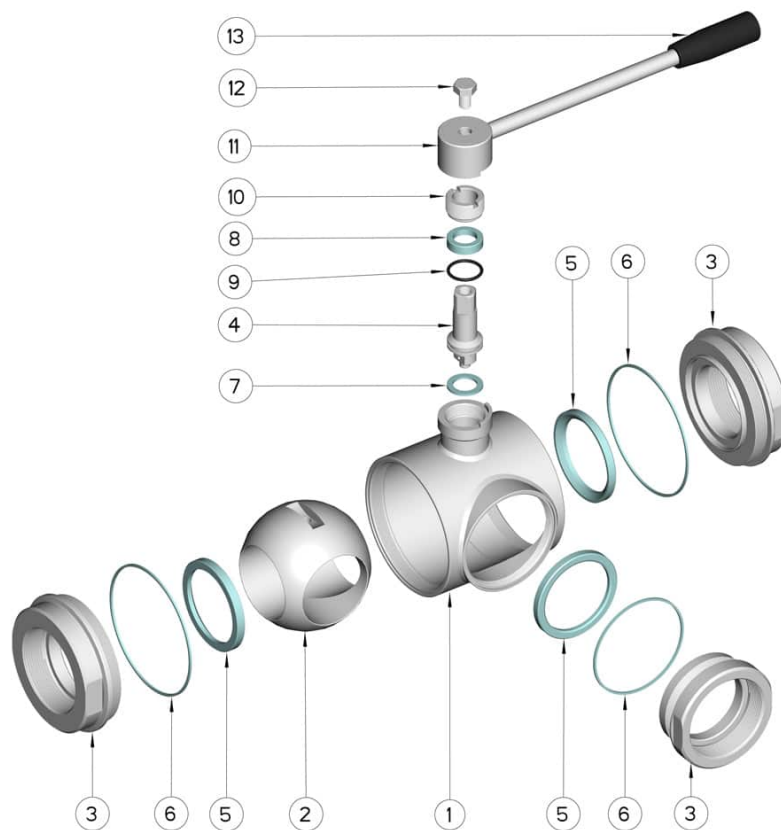
PTFE with carbographite -20°C+180°C

PTFE with inox -20°C+200°C

UHMW High-molecular weight polyethylene -20°C+80°C



G (ISO 228)	DN	L	I	C	H	PN	Kg	CODE AISI 304L	CODE AISI 316L
2"1/2	65	160	22	285	130	16	8,61	-	360101 64410
3"	80	200	26	310	145	16	16,60	360101 44810	360101 64810
4"	100	240	26	310	160	10	25,10	360101 45410	360101 65410



POS.	Denomination	PCS	MAT.
1	Body	1	AISI 316L
2	Ball	1	AISI 316L
3	Sleeves	3	AISI 316L
4	Stem	1	AISI 316L
5	Ball Seals	3	PTFE Vergine Modificato
6	Sleeve Seals	3	NBR
7	Stem Seal	1	PTFE
8	Stem Seal	1	PTFE
9	Stem or-Seal	1	FKM
10	Register ring	1	AISI 304L (303)
11	Lever	1	AISI 304L
12	SCREW	1	AISI 304L
13	Handle	1	Resin

