

353001_L_DIVERTING STANDARD SEALS - ISO 228 F



THREE-way diverting ball valve 2 seals with "L" port

Drive: ISO 5211 - DIN 3337 flange for actuator

Connection: ISO 228 female/female/female thread

Flow: Full

Material: Aisi 316L (1.4404)

Measure: from 1/4" to 4"

Modified Virgin P.T.F.E.

Operating temperature: -20°C+170°C

Outer finish: Polished

On request:

Antistatic device ATEX:

II 2G Ex h IIC T4 Gb

II 2D Ex h IIIC T135°C Db

M.O.C.A. CE 1935/2004

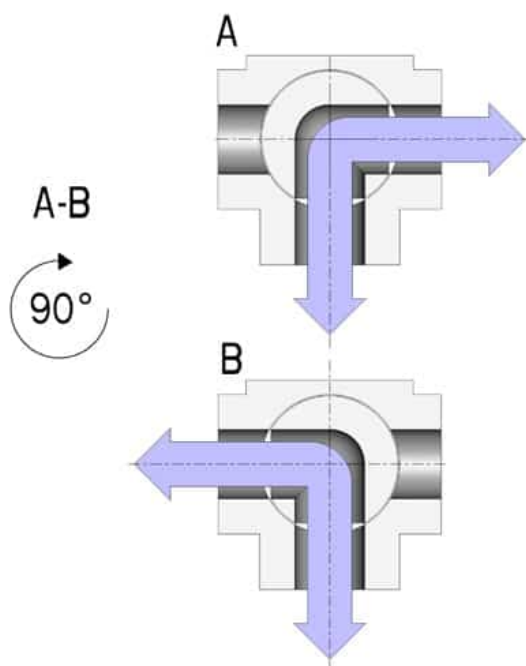
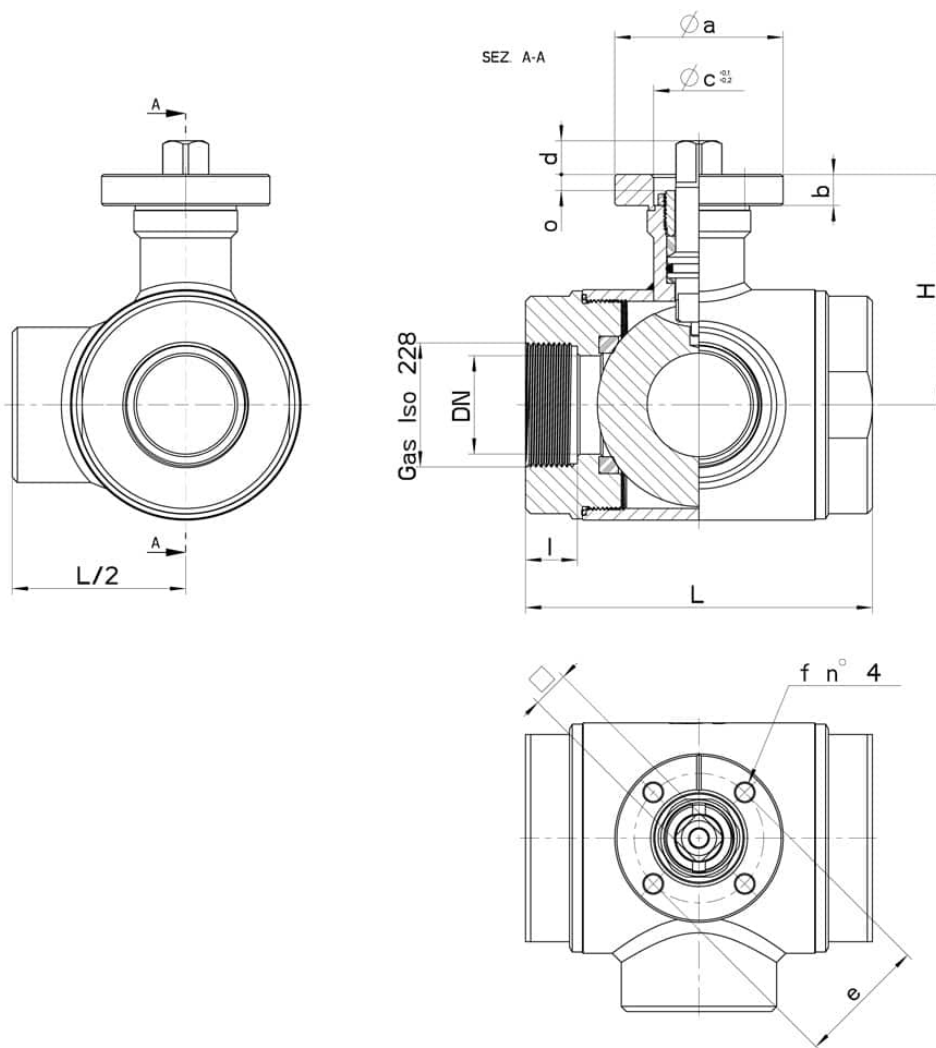
• Seals made of:

PTFE with glass -20°C+170°C

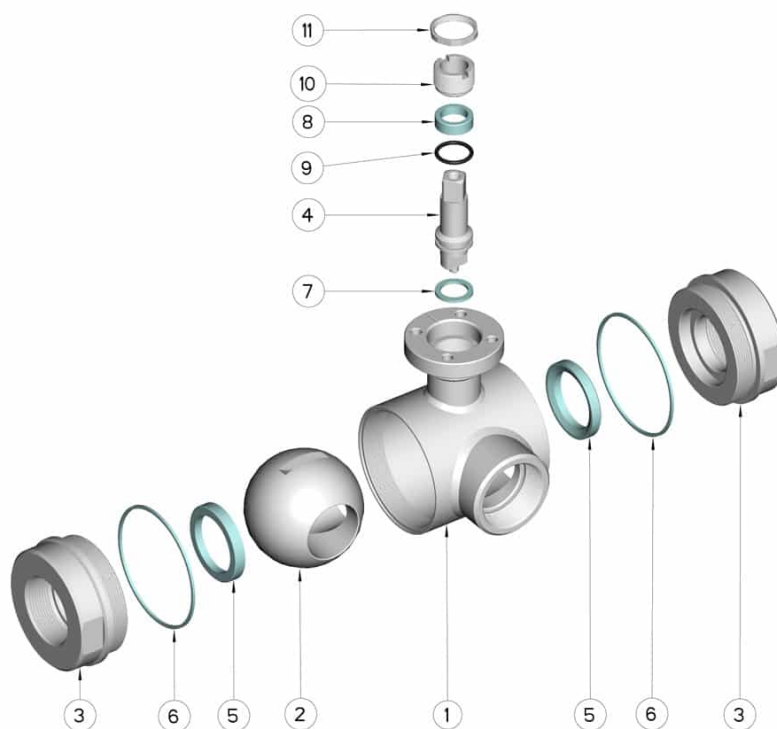
PTFE with carbographite -20°C+180°C

PTFE with inox -20°C+200°C

UHMW High-molecular weight polyethylene -20°C+80°C



Gas Iso 228	DN	L	I	H	PN	Kg	ISO-DIN	Ø a	b	Ø c x o	□	d	e	f	n° 4 Bolts	Nm	CODE AISI 316L
1/4"	10	72	16	46	40	0,58	F.03	46	9	25x3	9	8	36	6	M5x16	5	353001 60410
1/4"	10	72	16	46	40	0,62	F.04	54	9	30x3	11	10	42	6	M5x16	5	353001 6041F
3/8"	10	72	16	46	40	0,56	F.03	46	9	25x3	9	8	36	6	M5x16	5	353001 60810
3/8"	10	72	16	46	40	0,61	F.04	54	9	30x3	11	10	42	6	M5x16	5	353001 6081F
1/2"	15	82	18	49	40	0,76	F.03	46	9	25x3	9	8	36	6	M5x16	8	353001 61410
1/2"	15	82	18	49	40	0,81	F.04	54	9	30x3	11	10	42	6	M5x16	8	353001 6141F
3/4"	20	92	19	56,5	40	1,37	F.04	54	9	30x3	11	10	42	6	M5x16	12	353001 62010
3/4"	20	92	19	56,5	40	1,42	F.05	65	9	35x3	14	13	50	7	M6x16	12	353001 6201F
1"	25	102	20	61	40	1,83	F.04	54	9	30x3	11	10	42	6	M5x16	18	353001 62610
1"	25	102	20	61	40	1,92	F.05	65	9	35x3	14	13	50	7	M6x16	18	353001 6261F
1 1/4"	32	118	20	81,5	25	3,07	F.05	65	12	35x4	14	13	50	7	M6x20	30	353001 63010
1 1/4"	32	118	20	81,5	25	3,20	F.07	90	12	55x4	17	15	70	9	M8x20	30	353001 6301F
1 1/2"	40	134	20	89	25	4,92	F.05	65	12	35x4	14	13	50	7	M6x20	35	353001 63410
1 1/2"	40	134	20	89	25	5,10	F.07	90	12	55x4	17	15	70	9	M8x20	35	353001 6341F
2"	50	144	20	91,5	25	6,11	F.07	90	12	55x4	17	15	70	9	M8x20	40	353001 63810
2"	50	144	20	91,5	25	6,61	F.10	125	12	70x4	22	18	102	11	M10x25	40	353001 6381F
2 1/2"	65	160	22	101,5	25	8,70	F.07	90	12	55x4	17	15	70	9	M8x20	55	353001 64410
2 1/2"	65	160	22	101,5	25	9,20	F.10	125	12	70x4	22	18	102	11	M10x25	55	353001 6441F
3"	80	200	26	116	16	16,10	F.07	90	12	55x4	17	15	70	9	M8x20	70	353001 64810
3"	80	200	26	116	16	16,60	F.10	125	12	70x4	22	18	102	11	M10x25	70	353001 6481F
4"	100	240	26	131	16	27,51	F.07	90	12	55x4	17	15	70	9	M8x20	80	353001 65410
4"	100	240	26	131	16	28,01	F.10	125	12	70x4	22	18	102	11	M10x25	80	353001 6541F



POS.	Denomination	PCS	MAT.
1	Body	1	AISI 316L
2	Ball	1	AISI 316L
3	Sleeves	2	AISI 316L
4	Stem	1	AISI 316L
5	Ball Seals	2	PTFE Vergine Modificato
6	Sleeve Seals	2	PTFE
7	Stem Seal	1	PTFE
8	Stem Seal	1	PTFE
9	Stem or-Seal	1	FKM
10	Register ring	1	AISI 304L (303)
11	Locknut	1	AISI 303

