

## 350101\_L\_DIVERTING STANDARD SEALS - ISO 228 F



THREE-way diverting ball valve 2 seals with "L" port

Drive: Inox lever

Connection: ISO 228 female/female/female thread

Flow: Full

Material: Aisi 316L (1.4404)

Measure: from 1/4" to 4"

Modified Virgin P.T.F.E.

Operating temperature: -20°C+170°C

Outer finish: Polished

On request:

Antistatic device ATEX:

II 2G Ex h IIC T4 Gb

II 2D Ex h IIIC T135°C Db

M.O.C.A. CE 1935/2004

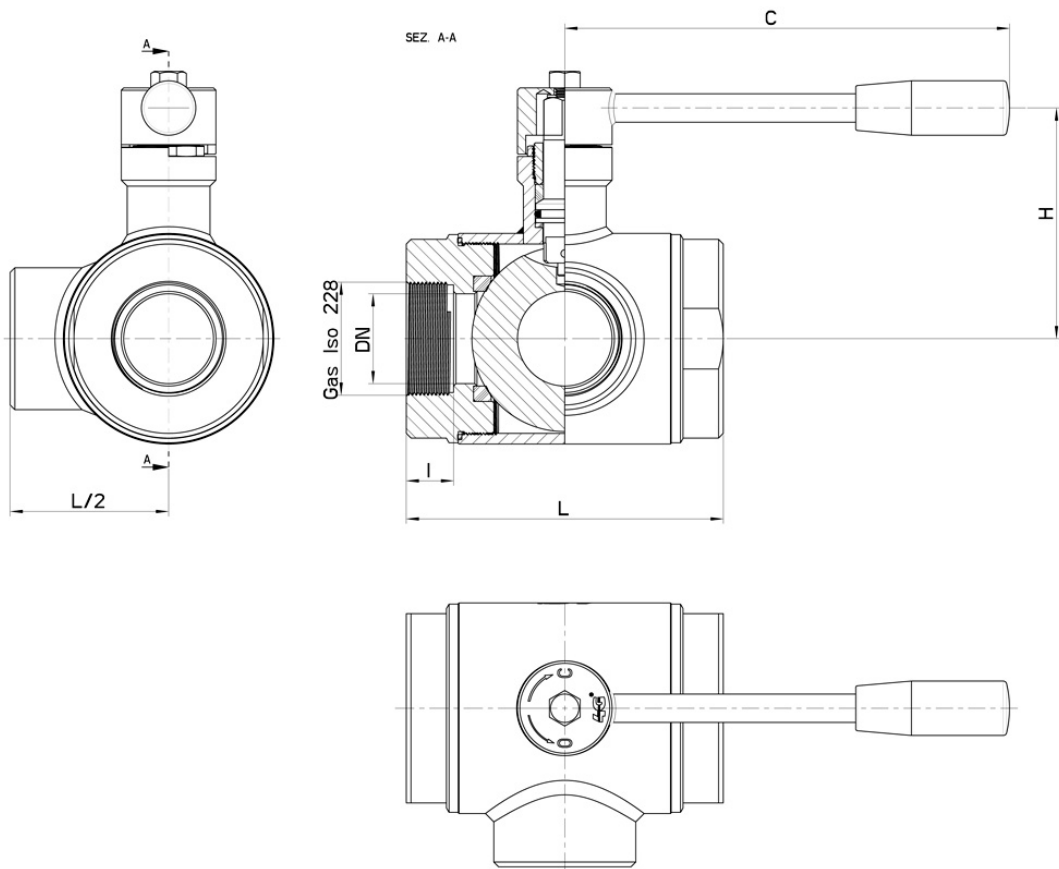
• Seals made of:

PTFE with glass -20°C+170°C

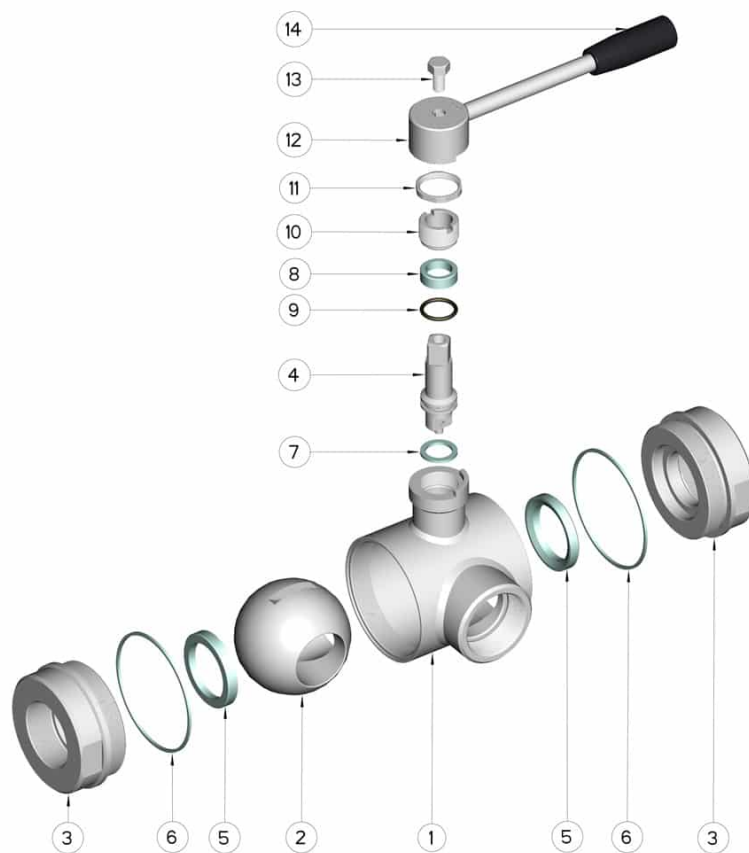
PTFE with carbographite -20°C+180°C

PTFE with inox -20°C+200°C

UHMW High-molecular weight polyethylene -20°C+80°C



Gas Iso 228	DN	L	I	C	H	PN	Kg	CODE AISI 316L
1/4"	10	72	16	110	60	40	0,56	350101 60410
3/8"	10	72	16	110	60	40	0,53	350101 60810
1/2"	15	82	18	110	65	40	0,74	350101 61410
3/4"	20	92	19	160	70	40	1,37	350101 62010
1"	25	102	20	160	80	40	1,83	350101 62610
1"1/4	32	118	20	190	95	25	3,08	350101 63010
1"1/2	40	134	20	190	110	25	4,95	350101 63410
2"	50	144	20	220	120	25	6,03	350101 63810
2"1/2	65	160	22	285	130	25	8,75	350101 64410
3"	80	200	24	310	145	16	16,30	350101 64810
4"	100	240	26	310	160	16	27,30	350101 65410



POS.	Denomination	PCS	MAT.
1	Body	1	AISI 316L
2	Ball	1	AISI 316L
3	Sleeves	2	AISI 316L
4	Stem	1	AISI 316L
5	Ball Seals	2	PTFE Vergine Modificato
6	Guarnizione manicotti	2	PTFE
7	Stem Seal	1	PTFE
8	Stem Seal	1	PTFE
9	Stem or-Seal	1	FKM
10	Register ring	1	AISI 304L (303)
11	Nut	1	AISI 304L
12	Lever	1	AISI 304L
13	SCREW	1	AISI 304L
14	Handle	1	DUROPLAST (PF)

