

343001_L_VERTICAL DIVERTING STANDARD SEALS - ISO 228 F



THREE-way VERTICAL diverting ball valve 2 seals with "L" port

Drive: ISO 5211 - DIN 3337 flange for actuator

Connection: ISO 228 female/female/female thread

Flow: Full

Material: Aisi 316L (1.4404)

Measure: from 1/4" to 2"

Modified Virgin P.T.F.E.

Operating temperature: -20°C+170°C

Outer finish: Polished

On request:

Antistatic device ATEX:

II 2G Ex h IIC T4 Gb

II 2D Ex h IIIC T135°C Db

M.O.C.A. CE 1935/2004

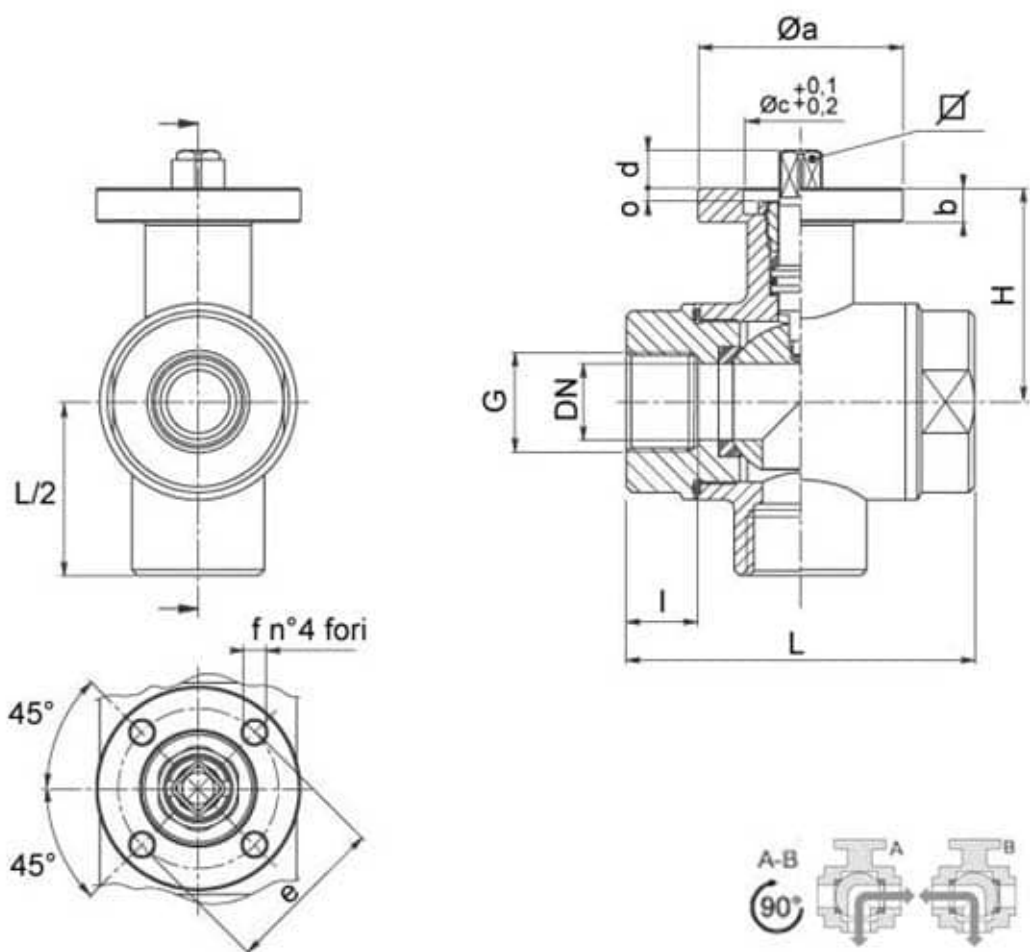
• Seals made of:

PTFE with glass -20°C+170°C

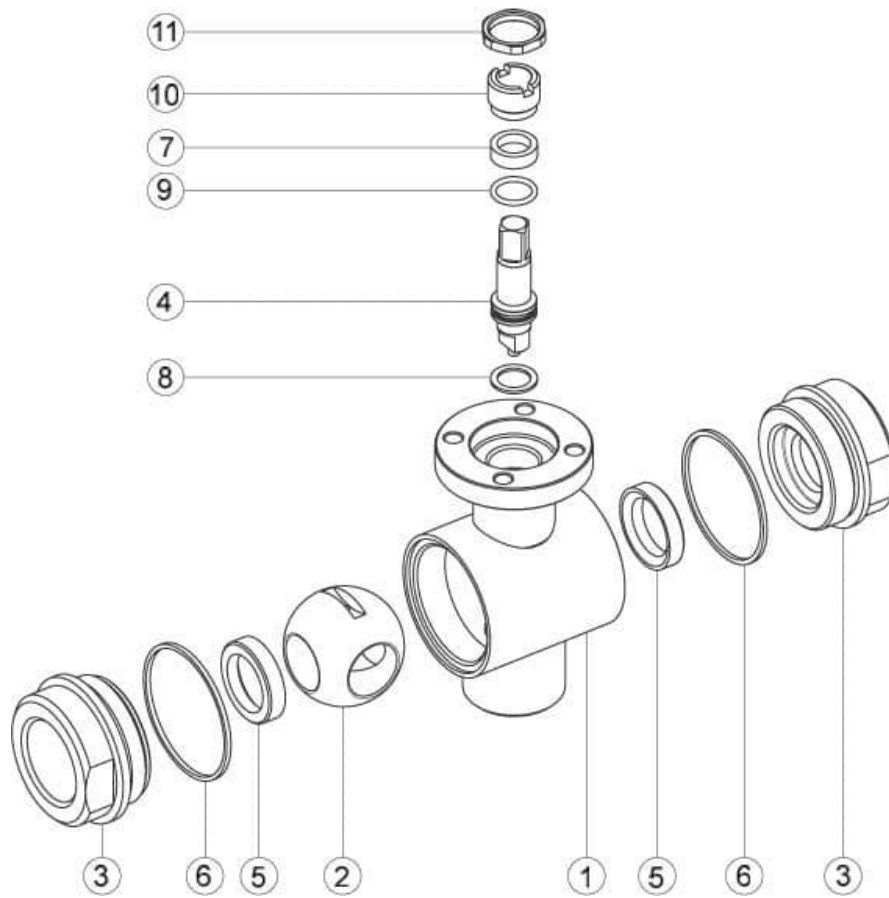
PTFE with carbographite -20°C+180°C

PTFE with inox -20°C+200°C

UHMW High-molecular weight polyethylene -20°C+80°C



G	DN	L	L 2	I	H	PN	Kg	ISO-DIN	Ø a	b	Ø c x o	□	d	e	f	n° 4 Bolts	Nm	CODE AISI 316L
1/4"	10	72	36	16	46	40	0,53	F.03	46	9	25x3	9	8	36	6	M5x16	5	343001 60410
1/4"	10	72	36	16	46	40	0,59	F.04	54	9	30x3	11	10	42	6	M5x16	5	343001 6041F
3/8"	10	72	36	16	46	40	0,53	F.03	46	9	25x3	9	8	36	6	M5x16	5	343001 60810
3/8"	10	72	36	16	46	40	0,58	F.04	54	9	30x3	11	10	42	6	M5x16	5	343001 6081F
1/2"	15	82	41	18	49	40	0,73	F.03	46	9	25x3	9	8	36	6	M5x16	8	343001 61410
1/2"	15	82	41	18	49	40	0,78	F.04	54	9	30x3	11	10	42	6	M5x16	8	343001 6141F
3/4"	20	92	46	19	56,5	40	1,36	F.04	54	9	30x3	11	10	42	6	M5x16	12	343001 62010
3/4"	20	92	46	19	56,5	40	1,42	F.05	65	9	35x3	14	13	50	7	M6x16	12	343001 6201F
1"	25	102	51	20	61	40	1,80	F.04	54	9	30x3	11	10	42	6	M5x16	18	343001 62610
1"	25	102	51	20	61	40	1,89	F.05	65	9	35x3	14	13	50	7	M6x16	18	343001 6261F
1*1/4	32	118	59	20	81,5	25	3,04	F.05	65	12	35x4	14	13	50	7	M6x20	30	343001 63010
1*1/4	32	118	59	20	81,5	25	3,17	F.07	90	12	55x4	17	15	70	9	M8x20	30	343001 6301F
1*1/2	40	134	67	20	89	25	4,89	F.05	65	12	35x4	14	13	50	7	M6x20	35	343001 63410
1*1/2	40	134	67	20	89	25	5,07	F.07	90	12	55x4	17	15	70	9	M8x20	35	343001 6341F
2"	50	144	72	20	91,5	25	6,08	F.07	90	12	55x4	17	15	70	9	M8x20	40	343001 63810
2"	50	144	72	20	91,5	25	6,58	F.10	125	12	70x4	22	18	102	11	M10x25	40	343001 6381F



POS.	Denomination	PCS	MAT.
1	Body	1	AISI 316L
2	Ball	1	AISI 316L
3	Sleeves	2	AISI 316L
4	Stem	1	AISI 316L
5	Ball Seals	2	PTFE Vergine Modificato
6	Sleeve Seals	2	PTFE
7	Stem Seal	1	PTFE
8	Stem Seal	1	PTFE
9	Stem or-Seal	1	FKM
10	Register ring	1	AISI 304L (303)
11	Locknut	1	AISI 303

