

340101_L_VERTICAL DIVERTING STANDARD SEALS - ISO 228 F



THREE-way VERTICAL diverting ball valve 2 seals with "L" port

Drive: Inox lever

Connection: ISO 228 female/female/female thread

Flow: Full

Material: Aisi 316L (1.4404)

Measure: from 1/4" to 2"

Modified Virgin P.T.F.E.

Operating temperature: -20°C+170°C

Outer finish: Polished

On request:

Antistatic device ATEX:

II 2G Ex h IIC T4 Gb

II 2D Ex h IIIC T135°C Db

M.O.C.A. CE 1935/2004

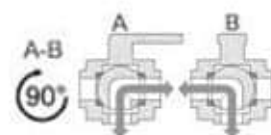
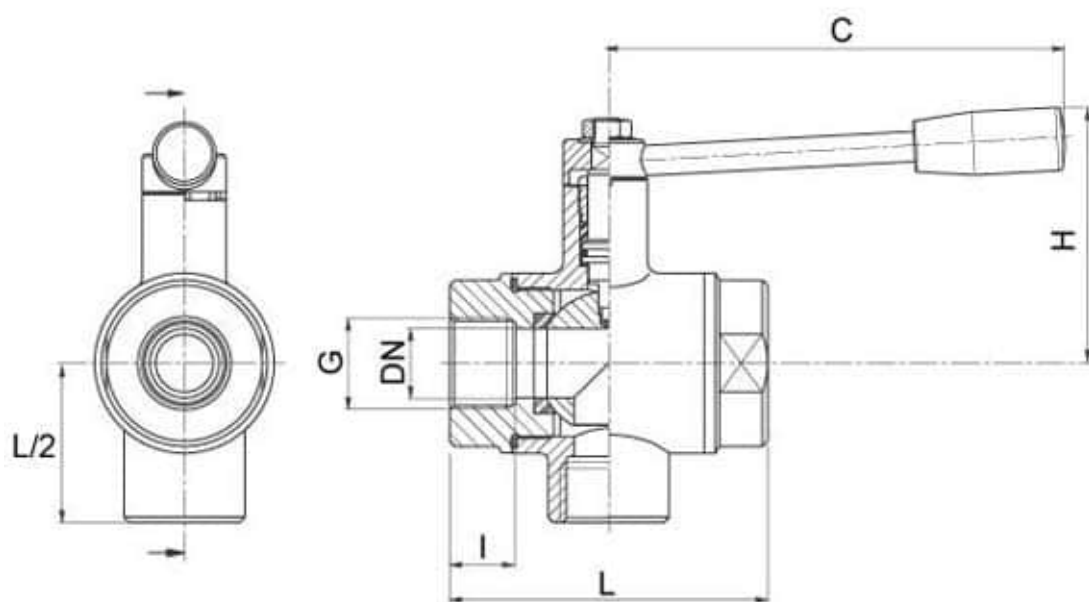
• Seals made of:

PTFE with glass -20°C+170°C

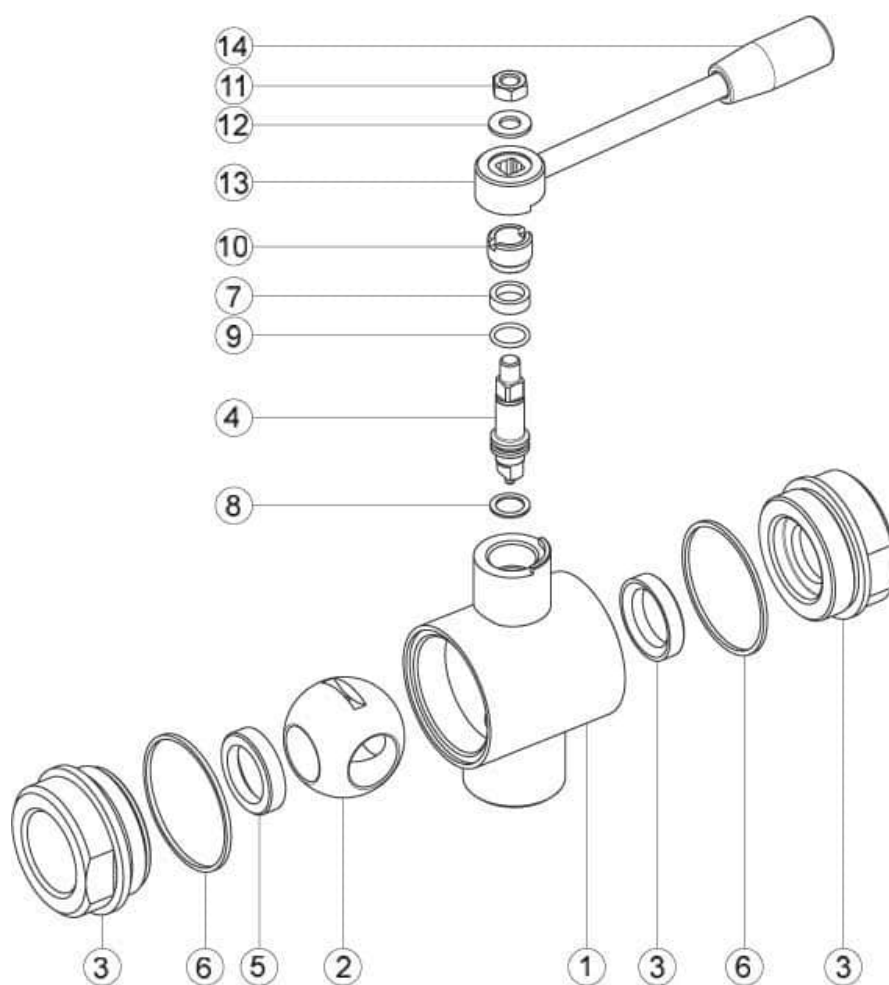
PTFE with carbographite -20°C+180°C

PTFE with inox -20°C+200°C

UHMW High-molecular weight polyethylene -20°C+80°C



G	DN	L	L 2	I	C	H	PN	Kg	CODE AISI 316L
1/4"	10	72	36	16	110	60	40	0,53	340101 60410
3/8"	10	72	36	16	110	60	40	0,50	340101 60810
1/2"	15	82	41	18	110	65	40	0,71	340101 61410
3/4"	20	92	46	19	160	70	40	1,37	340101 62010
1"	25	102	51	20	160	80	40	1,80	340101 62610
1"1/4	32	118	59	20	190	95	25	3,05	340101 63010
1"1/2	40	134	67	20	190	110	25	4,92	340101 63410
2"	50	144	72	20	235	120	25	6,00	340101 63810



POS.	Denomination	PCS	MAT.
1	Body	1	AISI 316L
2	Ball	1	AISI 316L
3	Sleeves	2	AISI 316L
4	Stem	1	AISI 316L
5	Ball Seals	2	PTFE Vergine Modificato
6	Sleeve Seals	2	PTFE
7	Stem Seal	1	PTFE
8	Stem Seal	1	PTFE
9	Stem or-Seal	1	FKM
10	Register ring	1	AISI 304L (303)
11	Nut	1	AISI 304L
12	Washer	1	AISI 304L
13	Lever	1	AISI 304L
14	Handle	1	DUROPLAST (PF)

