

313056_L_STANDARD SEALS - REVOLVING THREADED FLANGES EN 1759-1 CLASS 300



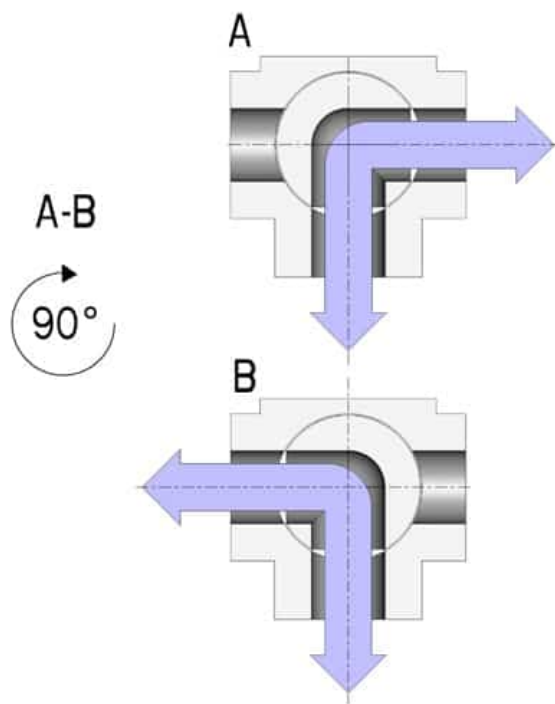
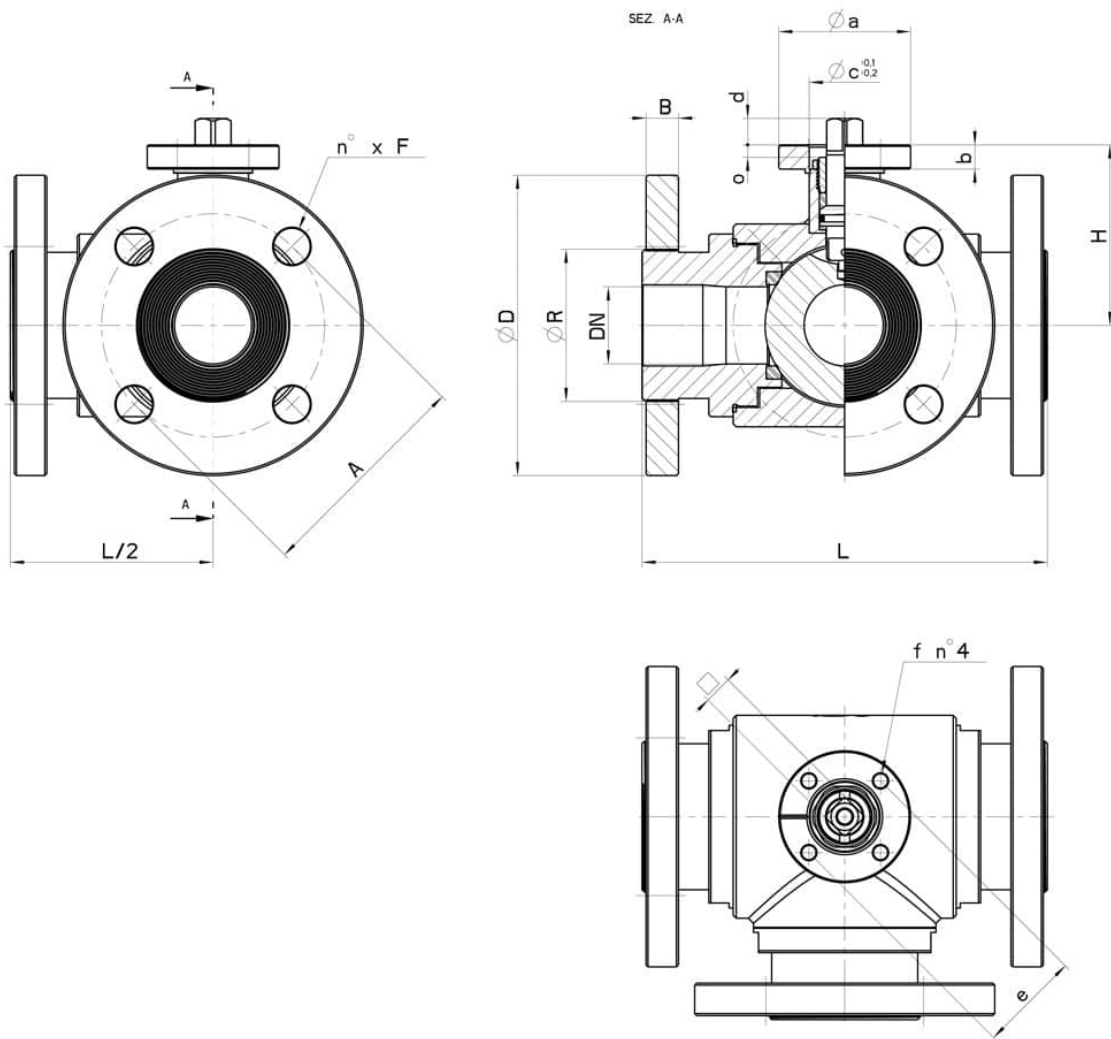
THREE-way ball valve 4 seals with "L" port
Drive: ISO 5211 - DIN 3337 flange for actuator
Connection: Revolving threaded flanges EN 1759-1 CLASS 300 (exANSI 300)
Flow: Full
Material: Aisi 316L (1.4404)
Measure: from 1/2" to 4"
Seals: Modified Virgin P.T.F.E.
Operating temperature: -20°C+170°C
Outer finish: Polished

On request:

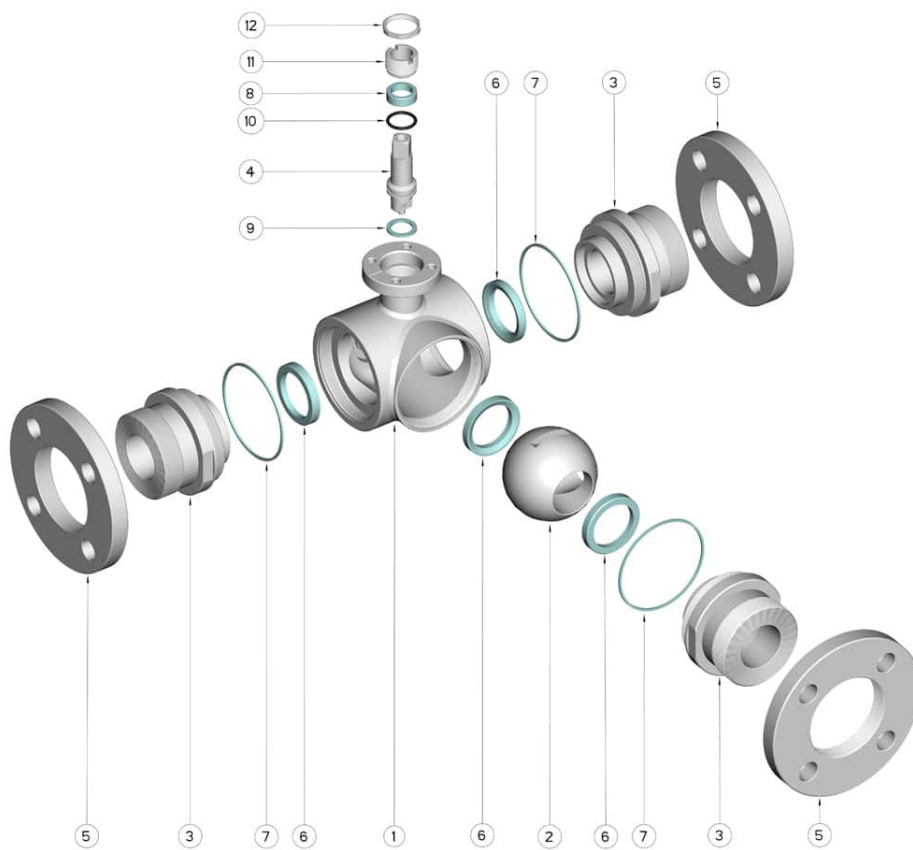
Antistatic device ATEX:
II 2G Ex h IIC T4 Gb
II 2D Ex h IIIC T135°C Db
M.O.C.A. CE 1935/2004

• Seals made of:

PTFE with glass -20°C+170°C
PTFE with carbographite -20°C+180°C
PTFE with inox -20°C+200°C
UHMW High-molecular weight polyethylene -20°C+80°C



| DN | DN | L | H | Ø D | B | Ø R | A | n° x F | Kg | ISO-DIN | Ø a | b | Ø c x o | □ | d | e | f | n° 4 BOLTS | Nm | COD. AISI 316L |
|-------|-----|-----|-------|-------|------|-----|-------|----------|----|---------|-----|----|---------|----|----|-----|----|------------|-----|-----------------|
| 1/2" | 15 | 130 | 49 | 95,2 | 12,7 | 34 | 66,7 | 4 x 16 | - | F.03 | 46 | 9 | 25x3 | 9 | 8 | 36 | 6 | M5x16 | 12 | 313056 61410 |
| 1/2" | 15 | 130 | 49 | 95,2 | 12,7 | 34 | 66,7 | 4 x 16 | - | F.04 | 54 | 9 | 30x3 | 11 | 10 | 42 | 6 | M5x16 | 12 | 313056 6141F |
| 3/4" | 20 | 150 | 56,5 | 117,5 | 14,5 | 42 | 82,5 | 4 x 19 | - | F.04 | 54 | 9 | 30x3 | 11 | 10 | 42 | 6 | M5x16 | 23 | 313056 62010 |
| 3/4" | 20 | 150 | 56,5 | 117,5 | 14,5 | 42 | 82,5 | 4 x 19 | - | F.05 | 65 | 9 | 35x3 | 14 | 13 | 50 | 7 | M6x16 | 23 | 313056 6201F |
| 1" | 25 | 160 | 61 | 123,8 | 16 | 51 | 88,9 | 4 x 19 | - | F.04 | 54 | 9 | 30x3 | 11 | 10 | 42 | 6 | M5x16 | 25 | 313056 62610 |
| 1" | 25 | 160 | 61 | 123,8 | 16 | 51 | 88,9 | 4 x 19 | - | F.05 | 65 | 9 | 35x3 | 14 | 13 | 50 | 7 | M6x16 | 25 | 313056 6261F |
| 1*1/4 | 32 | 180 | 81,5 | 133 | 17,4 | 63 | 98,4 | 4 x 19 | - | F.05 | 65 | 9 | 35x4 | 14 | 13 | 50 | 7 | M6x20 | 33 | 313056 63010 |
| 1*1/4 | 32 | 180 | 81,5 | 133 | 17,4 | 63 | 98,4 | 4 x 19 | - | F.07 | 90 | 12 | 55x4 | 17 | 15 | 70 | 9 | M8x20 | 33 | 313056 6301F |
| 1*1/2 | 40 | 200 | 89 | 155,6 | 21 | 75 | 114,3 | 4 x 22 | - | F.05 | 65 | 9 | 35x4 | 14 | 13 | 50 | 7 | M6x20 | 40 | 313056 63410 |
| 1*1/2 | 40 | 200 | 89 | 155,6 | 21 | 75 | 114,3 | 4 x 22 | - | F.07 | 90 | 12 | 55x4 | 17 | 15 | 70 | 9 | M8x20 | 40 | 313056 6341F |
| 2" | 50 | 230 | 91,5 | 165,1 | 24 | 110 | 127 | 8 x 19 | - | F.07 | 90 | 12 | 55x4 | 17 | 15 | 70 | 9 | M8x20 | 50 | 313056 63810 |
| 2" | 50 | 230 | 91,5 | 165,1 | 24 | 110 | 127 | 8 x 19 | - | F.10 | 120 | 12 | 70x4 | 22 | 18 | 102 | 11 | M10x25 | 50 | 313056 6381F |
| 2*1/2 | 65 | 290 | 101,5 | 190,5 | 27 | 110 | 149,2 | 8 x 22,2 | - | F.07 | 90 | 12 | 55x4 | 17 | 15 | 70 | 9 | M8x20 | 60 | 313056 64410 |
| 2*1/2 | 65 | 290 | 101,5 | 190,5 | 27 | 110 | 149,2 | 8 x 22,2 | - | F.10 | 120 | 12 | 70x4 | 22 | 18 | 10 | 11 | M10x25 | 60 | 313056 6441F |
| 3" | 80 | 310 | 116 | 210 | 27 | 120 | 168,3 | 8 x 22,2 | - | F.07 | 90 | 12 | 55x4 | 17 | 15 | 70 | 9 | M8x20 | 110 | 313056 64810 |
| 3" | 80 | 310 | 116 | 210 | 27 | 120 | 168,3 | 8 x 22,2 | - | F.10 | 120 | 12 | 70x4 | 22 | 18 | 10 | 11 | M10x25 | 110 | 313056 6481F |
| 4" | 100 | 350 | 131 | 254 | 30,2 | 140 | 200 | 8 x 22,2 | - | F.07 | 90 | 12 | 55x4 | 17 | 15 | 70 | 9 | M8x20 | 130 | 313056 45410 |
| 4" | 100 | 350 | 131 | 254 | 30,2 | 140 | 200 | 8 x 22,2 | - | F.10 | 120 | 12 | 70x4 | 22 | 18 | 102 | 11 | M10x25 | 130 | 313056 4541F |



| POS. | DENOMINATION | PCS | MAT. |
|------|---------------|-----|-------------------------|
| 1 | Body | 1 | AISI 316L |
| 2 | Ball | 1 | AISI 316L |
| 3 | Sleeves | 3 | AISI 316L |
| 4 | Stem | 1 | AISI 316L |
| 5 | Flanges | 3 | AISI 304L - 316L |
| 6 | Ball Seals | 4 | PTFE Vergine Modificato |
| 7 | Sleeve Seals | 3 | PTFE |
| 8 | Stem Seal | 1 | PTFE |
| 9 | Stem Seal | 1 | PTFE |
| 10 | Stem or-Seal | 1 | FKM |
| 11 | Register ring | 1 | AISI 304L (303) |
| 12 | Locknut | 1 | AISI 303 |

