

## 313050\_L\_STANDARD SEALS\_REVOLVING THREADED FLANGES UNI EN 1092-1



THREE-way ball valve 4 seals with "L" port  
Drive: ISO 5211 - DIN 3337 flange for actuator  
Connection: Revolving threaded flanges UNI EN 1092-1  
Flow: Full and reduced  
Material: Aisi 304L (1.4307) - Aisi 316L (1.4404)  
Measure: from DN10 to DN125  
Seals: Modified Virgin P.T.F.E.  
Operating temperature: -20°C+170°C  
Outer finish: Polished

On request:

Antistatic device ATEX:

II 2G Ex h IIC T4 Gb

II 2D Ex h IIIC T135°C Db

M.O.C.A. CE 1935/2004

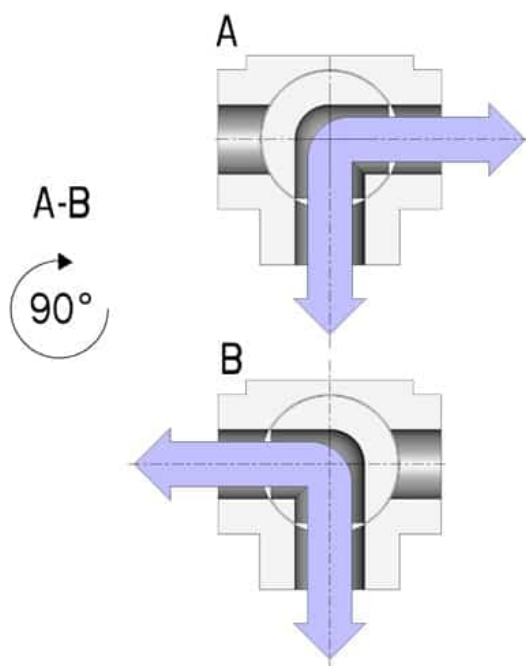
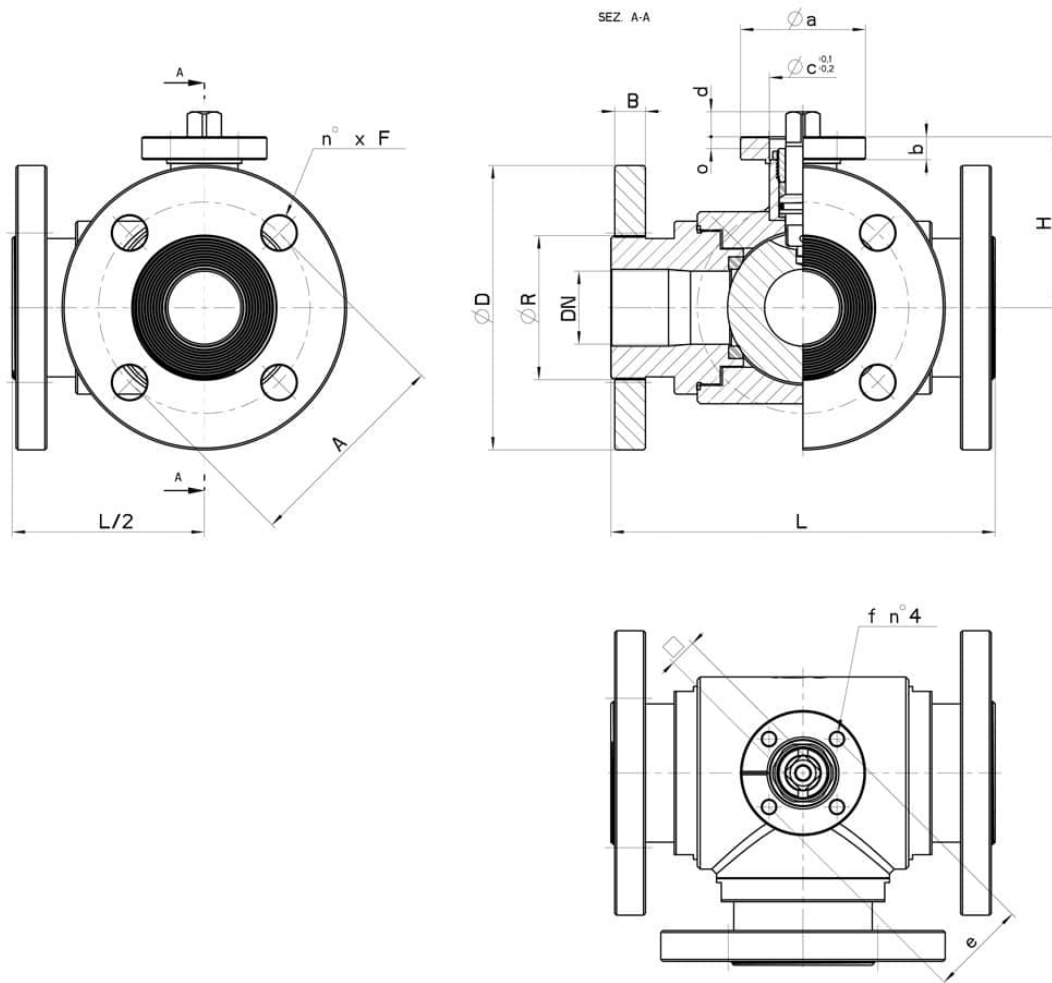
• Seals made of:

PTFE with glass -20°C+170°C

PTFE with carbographite -20°C+180°C

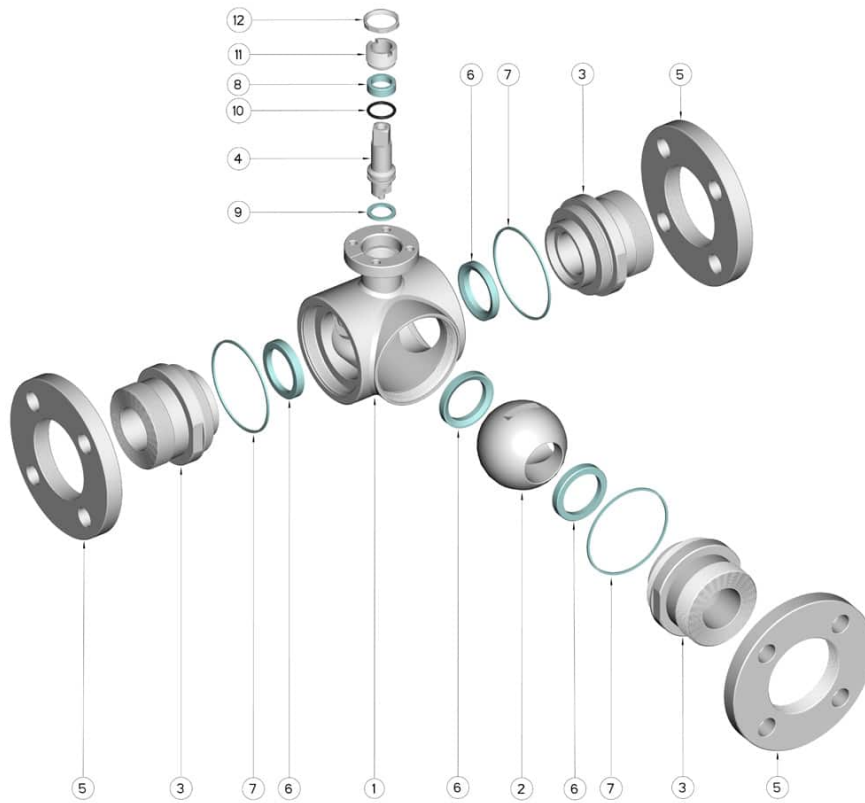
PTFE with inox -20°C+200°C

UHMW High-molecular weight polyethylene -20°C+80°C



DN	DN	L	H	Ø D	B	Ø R	A	n° x F	PN	Kg	ISO-DIN	Ø a	b	Ø c x o	□	d	e	f	n° 4 Bolts	Nm	CODE AISI 304L	CODE AISI 316L
10	10	120	46,5	90	12	30	60	4 x 14	40	2,67	F.03	46	9	25x3	9	8	36	6	M5x16	10	-	313050 60810
10	10	120	46,5	90	12	30	60	4 x 14	40	2,71	F.04	54	9	30x3	11	10	42	6	M5x16	10	-	313050 6081F
15	15	130	49	95	12	34	65	4 x 14	40	3,23	F.03	46	9	25x3	9	8	36	6	M5x16	12	-	313050 61410
15	15	130	49	95	12	34	65	4 x 14	40	3,27	F.04	54	9	30x3	11	10	42	6	M5x16	12	-	313050 6141F
20	20	140	56,5	105	14	42	75	4 x 14	40	4,78	F.04	54	9	30x3	11	10	42	6	M5x16	23	-	313050 62010
20	20	140	56,5	105	14	42	75	4 x 14	40	4,83	F.05	65	9	35x3	14	13	50	7	M6x16	23	-	313050 6201F
25	25	150	61	115	14	51	85	4 x 14	40	6,18	F.04	54	9	30x3	11	10	42	6	M5x16	25	-	313050 62610
25	25	150	61	115	14	51	85	4 x 14	40	6,68	F.05	65	9	35x3	14	13	50	7	M6x16	25	-	313050 6261F
32	32	180	81,5	140	16	63	100	4 x 18	40	10,52	F.05	65	9	35x4	14	13	50	7	M6x20	33	-	313050 63010
32	32	180	81,5	140	16	63	100	4 x 18	40	10,70	F.07	90	12	55x4	17	15	70	9	M8x20	33	-	313050 6301F
40	40	200	89	150	16	75	110	4 x 18	40	13,85	F.05	65	9	35x4	14	13	50	7	M6x20	40	-	313050 63410
40	40	200	89	150	16	75	110	4 x 18	40	14,35	F.07	90	12	55x4	17	15	70	9	M8x20	40	-	313050 6341F
50	50	220	91,5	165	18	89	125	4 x 18	40	18,40	F.07	90	12	55x4	17	15	70	9	M8x20	50	-	313050 63810
50	50	220	91,5	165	18	89	125	4 x 18	40	18,90	F.10	120	12	70x4	22	18	102	11	M10x25	50	-	313050 6381F
65 *	65	240	101,5	185	18	110	145	4 x 18	16	23,42	F.07	90	12	55x4	17	15	70	9	M8x20	60	-	313050 64410
65 *	65	240	101,5	185	18	110	145	4 x 18	16	23,92	F.10	125	12	70x4	22	18	102	11	M10x25	60	-	313050 6441F
65 *	65	240	101,5	185	20	110	145	8 x 18	40	24,0	F.07	90	12	55x4	17	15	70	9	M8x20	60	-	313052 64410
65 *	65	240	101,5	185	20	110	145	8 x 18	40	24,50	F.10	125	12	70x4	22	18	102	11	M10x25	60	-	313052 6441F
80 *	80	260	116	200	18	120	160	8 x 18	16	34,26	F.07	90	12	55x4	17	15	70	9	M8x20	110	313050 44810	313050 64810
80 *	80	260	116	200	18	120	160	8 x 18	16	34,76	F.10	120	12	70x4	22	18	102	11	M10x25	110	313050 4481F	313050 6481F
80 *	80	260	116	200	22	120	160	8 x 18	40	-	F.07	90	12	55x4	17	15	70	9	M8x20	110	303052 44810	303052 64810
80 *	80	260	116	200	22	120	160	8 x 18	40	-	F.10	120	12	70x4	22	18	102	11	M10x25	110	303052 4481F	303052 6481F
100 *	100	300	131	220	20	140	180	8 x 18	16	49,75	F.07	90	12	55x4	17	15	70	9	M8x20	130	313050 45410	313050 65410
100 *	100	300	131	220	20	140	180	8 x 18	16	51	F.10	125	12	70x4	22	18	102	11	M10x25	130	313050 4541F	313050 6541F
125 * (Reduced)	100	325	190	250	22	153	210	8 x 18	16	-	F.07	90	12	55x4	17	15	70	9	M8x20	130	313050 45510	313050 65510
125 * (Reduced)	100	325	190	250	22	153	210	8 x 18	16	-	F.10	125	12	70x4	22	18	102	11	M10x25	130	313050 4551F	313050 6551F

\* = 4 Way



POS.	Denomination	PCS	MAT.
1	Body	1	AISI 304L - 316L
2	Ball	1	AISI 304L - 316L
3	Sleeves	3	AISI 304L - 316L
4	Stem	1	AISI 304L - 316L
5	Flanges	3	AISI 304L - 316L
6	Ball Seals	4	PTFE Vergine Modificato
7	Sleeve Seals	3	PTFE
8	Stem Seal	1	PTFE
9	Stem Seal	1	PTFE
10	Stem or-Seal	1	FKM
11	Register ring	1	AISI 304L (303)
12	Locknut	1	AISI 303

