

313046_L_4 SEALS STANDARD SEALS - M SMS



THREE-way ball valve 4 seals with "L"
Drive: ISO 5211 - DIN 3337 flange for actuator
Connection: SMS male/male/male
Flow: full
Material: Aisi 304L (1.4307) - Aisi 316L (1.4404)
Measure: from DN20 to DN100
Seals: Modified Virgin P.T.F.E.
Operating temperature: -20°C +170°C
Outer finish: Polished

On request:

Antistatic device ATEX:

II 2G Ex h IIC T4 Gb

II 2D Ex h IIIC T135°C Db

M.O.C.A. CE 1935/2004

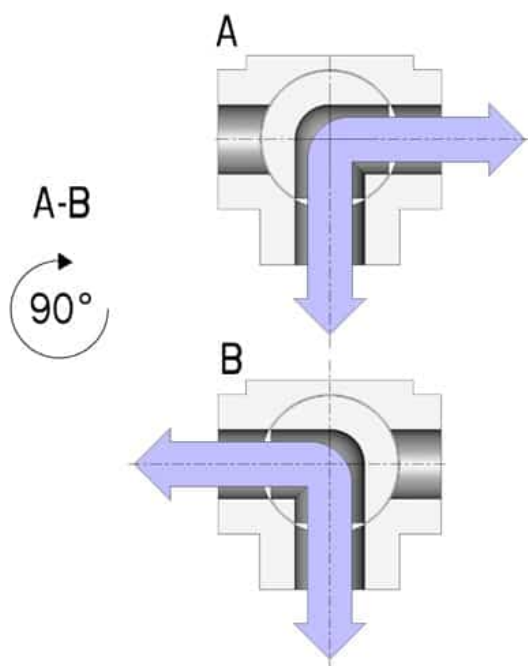
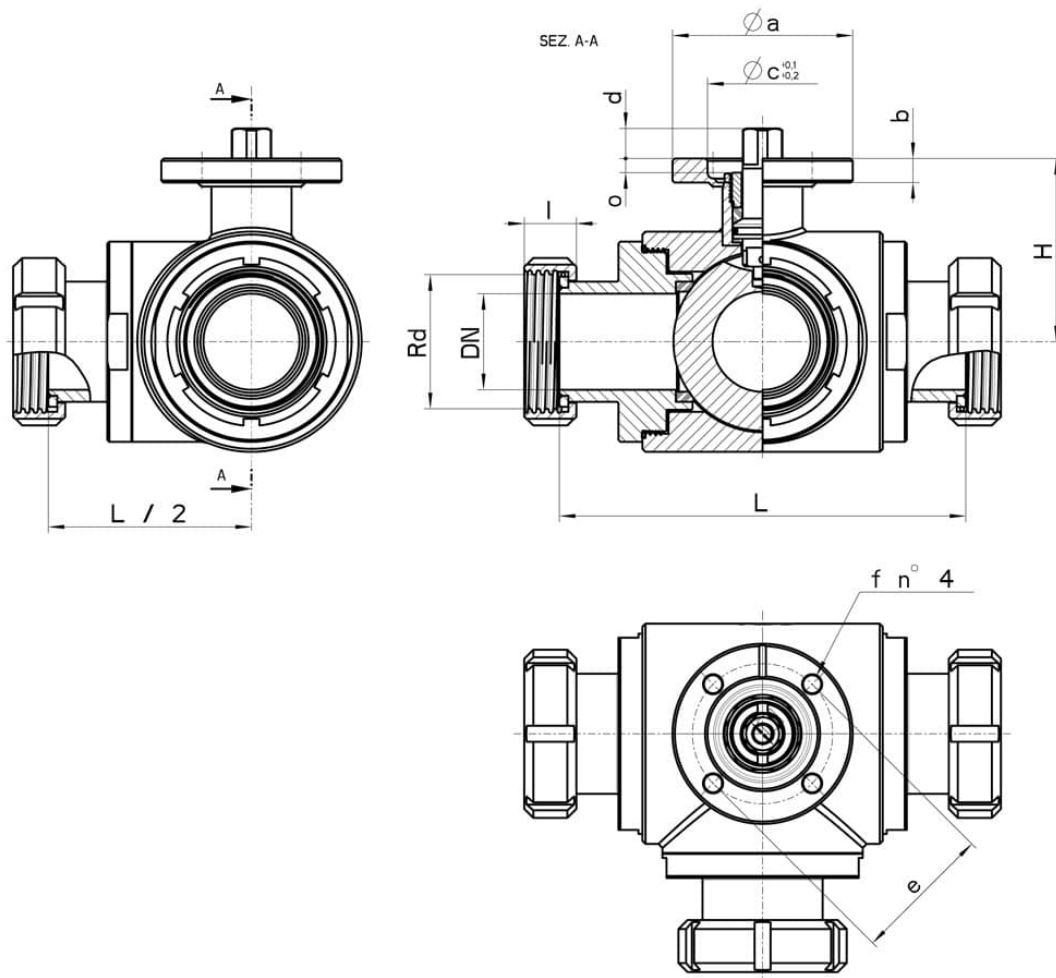
• Seals made of:

PTFE with glass -20°C+170°C

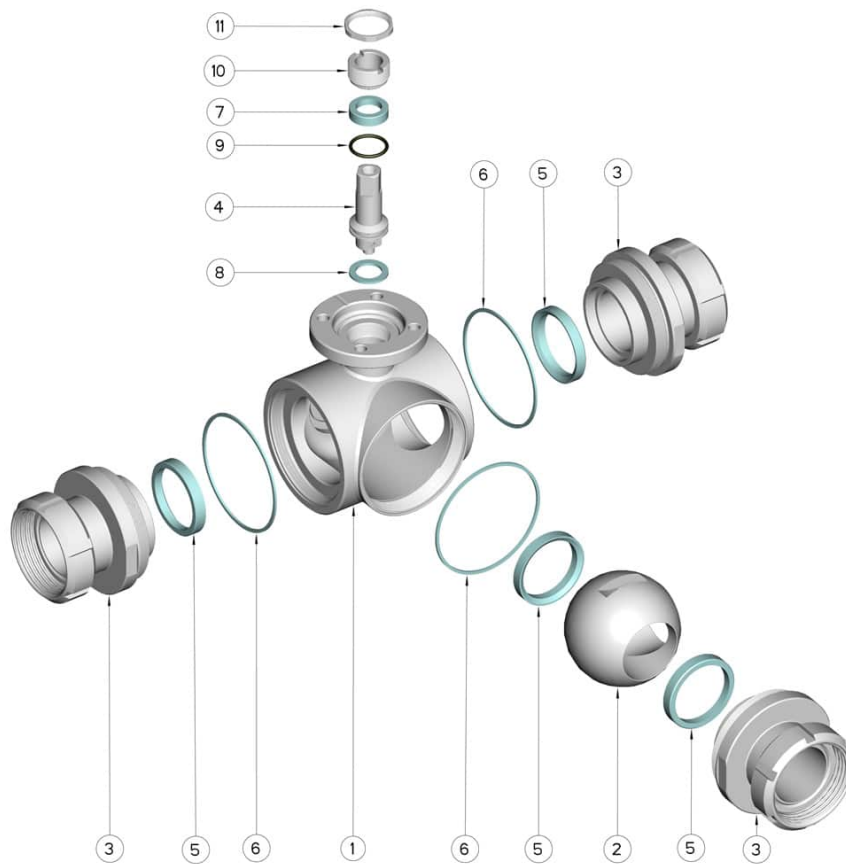
PTFE with carbographite -20°C+180°C

PTFE with inox -20°C+200°C

UHMW High-molecular weight polyethylene -20°C+80°C



SMS	DN	Rd	L	I	H	PN	Kg	ISO-DIN	Ø a	b	Ø c x o	□	d	e	f	n° 4 Bolts	Nm	CODE AISI 304L	CODE AISI 316L
25 **	20	40 x 1/6"	144	21	56,5	100	2,30	F.04	54	9	30x3	11	10	42	6	M5x16	23	-	313046 62010
25 **	20	40 x 1/6"	144	21	56,5	100	2,45	F.05	65	9	35x3	14	13	50	7	M6x16	23	-	313046 6201F
25	25	40 x 1/6"	158	21	61	64	3,02	F.04	54	9	30x3	11	10	42	6	M5x16	25	-	313046 62610
25	25	40 x 1/6"	158	21	61	64	3,15	F.05	65	9	35x3	14	13	50	7	M6x16	25	-	313046 6261F
38	40	60 x 1/6"	190	21	89	64	7,42	F.05	65	12	35x4	14	13	50	7	M6x20	40	-	313046 63410
38	40	60 x 1/6"	190	21	89	64	7,59	F.07	90	12	55x4	17	15	70	9	M8x20	40	-	313046 6341F
51	50	70 x 1/6"	202	22	91,5	40	9,10	F.07	90	12	55x4	17	15	70	9	M8x20	50	-	313046 63810
51	50	70 x 1/6"	202	22	91,5	40	9,27	F.10	120	12	70x4	22	18	102	11	M10x25	50	-	313046 6381F
63	65 *	85 x 1/6"	214	25	101,5	40	11,00	F.07	90	12	55x4	17	15	70	9	M8x20	60	-	313046 64410
63	65 *	85 x 1/6"	214	25	101,5	40	11,50	F.10	125	12	70x4	22	18	102	11	M10x25	60	-	313046 6441F
76 **	65 *	98 x 1/6"	214	25	101,5	40	-	F.07	90	12	55x4	17	15	70	9	M8x20	60	-	313046 64510
76 **	65 *	98 x 1/6"	214	25	101,5	40	-	F.10	125	12	70x4	22	18	102	11	M10x25	60	-	313046 6451F
76	80 *	98 x 1/6"	266	30	116	40	22,63	F.07	90	12	55x4	17	15	70	9	M8x20	110	313046 44810	313046 64810
76	80 *	98 x 1/6"	266	30	116	40	22,13	F.10	120	12	70x4	22	18	102	11	M10x25	110	313046 4481F	313046 6481F
104	100 *	125 x 1/4"	302	31	131	16	34,83	F.07	90	12	55x4	17	15	70	9	M8x20	130	313046 45410	313046 65410
104	100 *	125 x 1/4"	302	31	131	16	35,36	F.10	125	12	70x4	22	18	102	11	M10x25	130	313046 4541F	313046 6541F
101	100 *	132 x 1/6"	302	31	131	16	-	F.07	90	12	55x4	17	15	70	9	M8x20	130	313046 45510	313046 65510
101	100 *	132 x 1/6"	302	31	131	16	-	F.10	125	12	70x4	22	18	102	11	M10x25	130	313046 4551F	313046 6551F



POS.	Denomination	Pcs	MAT.
1	Body	1	AISI (304L) 316L
2	Ball	1	AISI (304L) 316L
3	Sleeves	3	AISI (304L) 316L
4	Stem	1	AISI (304L) 316L
5	Ball Seals	4	PTFE Vergine Modificato
6	Sleeve Seals	3	PTFE
7	Stem Seal	1	PTFE
8	Stem Seal	1	PTFE
9	Stem or-Seal	1	FKM
10	Register ring	1	AISI 304L (303)
11	Locknut	1	AISI 303

