

## 313044\_L\_4 SEALS STANDARD SEALS - F SMS



THREE-way ball valve 4 seals with "L"  
Drive: ISO 5211 - DIN 3337 flange for actuator  
Connection: SMS female/female/female  
Flow: Full  
Material: Aisi 304L (1.4307) - Aisi 316L (1.4404)  
Measure: from DN20 to DN100  
Seals: Modified Virgin P.T.F.E.  
Operating temperature: -20°C+170°C  
Outer finish: Polished

On request:

Antistatic device ATEX:

II 2G Ex h IIC T4 Gb

II 2D Ex h IIIC T135°C Db

M.O.C.A. CE 1935/2004

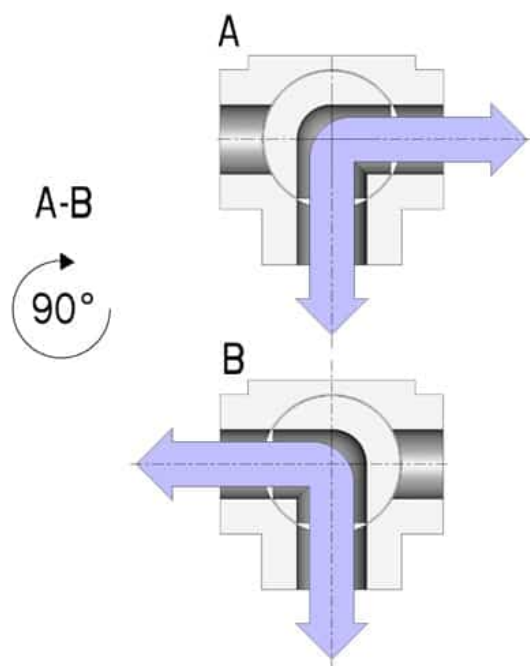
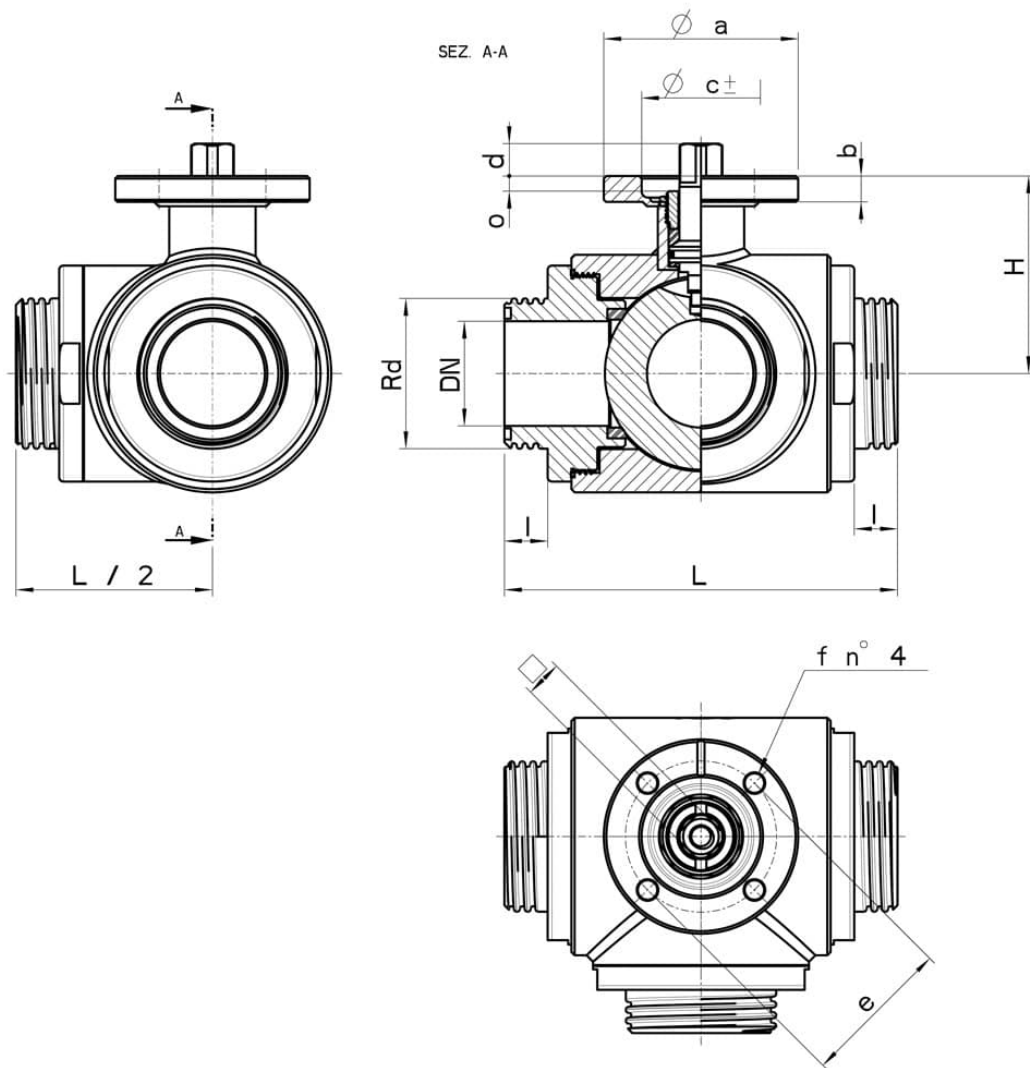
• Seals made of:

PTFE with glass -20°C+170°C

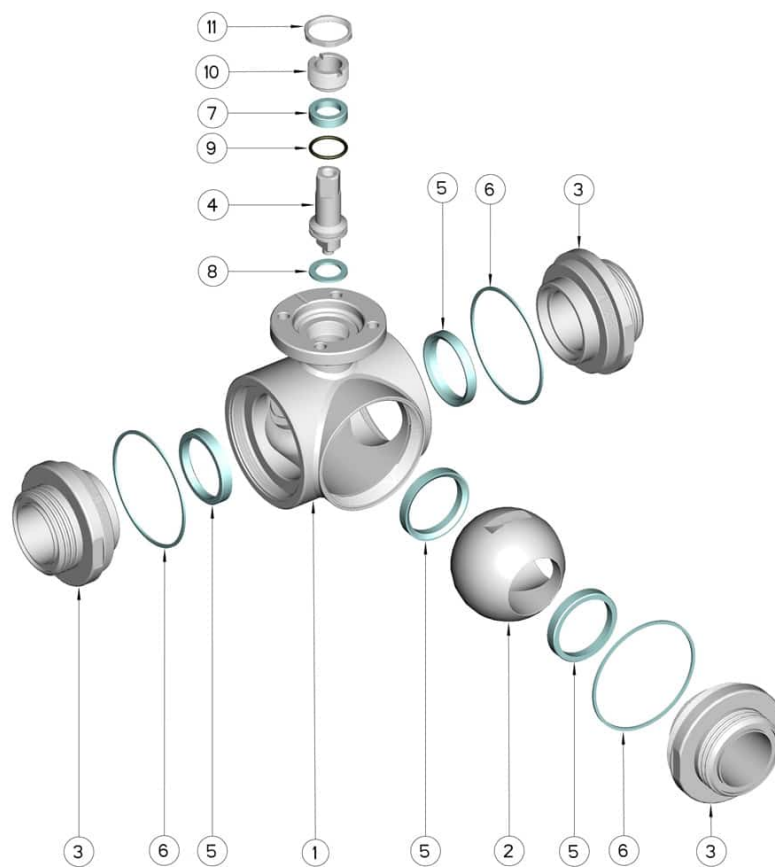
PTFE with carbographite -20°C+180°C

PTFE with inox -20°C+200°C

UHMW High-molecular weight polyethylene -20°C+80°C



SMS	DN	Rd	L	I	H	PN	Kg	ISO-DIN	Ø a	b	Ø c x o	□	d	e	f	n° 4 Bolts	Nm	CODE AISI 304L	CODE AISI 316L
25	(Reduced) 20	40 x 1/6"	130	19	56,5	100	2,30	F.04	54	9	30x3	11	10	42	6	M5x16	23	-	313044 62010
25	(Reduced) 20	40 x 1/6"	130	19	56,5	100	2,45	F.05	65	9	35x3	14	13	50	7	M6x16	23	-	313044 6201F
25	25	40 x 1/6"	140	19	61	64	3,02	F.04	54	9	30x3	11	10	42	6	M5x16	25	-	313044 62610
25	25	40 x 1/6"	140	19	61	64	3,15	F.05	65	9	35x3	14	13	50	7	M6x16	25	-	313044 6261F
38	40	60 x 1/6"	172	19	89	64	7,42	F.05	65	12	35x4	14	13	50	7	M6x20	40	-	313044 63410
38	40	60 x 1/6"	172	19	89	64	7,59	F.07	90	12	55x4	17	15	70	9	M8x20	40	-	313044 6341F
51	50	70 x 1/6"	182	19	91,5	40	9,10	F.07	90	12	55x4	17	15	70	9	M8x20	50	-	313044 63810
51	50	70 x 1/6"	182	19	91,5	40	9,27	F.10	120	12	70x4	22	18	102	11	M10x25	50	-	313044 6381F
63	65	85 x 1/6"	196	21	101,5	40	11,00	F.07	90	12	55x4	17	15	70	9	M8x20	60	-	313044 64410
63	65	85 x 1/6"	196	21	101,5	40	11,50	F.10	125	12	70x4	22	18	102	11	M10x25	60	-	313044 6441F
76	(Reduced) 65	98 x 1/6"	196	21	101,5	40	-	F.07	90	12	55x4	17	15	70	9	M8x20	60	-	313044 64510
76	(Reduced) 65	98 x 1/6"	196	21	101,5	40	-	F.10	125	12	70x4	22	18	102	11	M10x25	60	-	313044 6451F
76	80	98 x 1/6"	256	27	116	40	22,63	F.07	90	12	55x4	17	15	70	9	M8x20	110	313044 44810	313044 64810
76	80	98 x 1/6"	256	27	116	40	22,13	F.10	120	12	70x4	22	18	102	11	M10x25	110	313044 4481F	313044 6481F
104	100	125 x 1/4"	286	27	131	16	34,83	F.07	90	12	55x4	17	15	70	9	M8x20	130	31304445410	313044 65410
104	100	125 x 1/4"	286	27	131	16	35,36	F.10	125	12	70x4	22	18	102	11	M10x25	130	313044 4541F	313044 6541F
101	100	132 x 1/6"	286	27	131	16	-	F.07	90	12	55x4	17	15	70	9	M8x20	130	313044 45510	313044 65510
101	100	132 x 1/6"	286	27	131	16	-	F.10	125	12	70x4	22	18	102	11	M10x25	130	313044 4551F	313044 6551F



POS.	Denomination	PCS	MAT.
1	Body	1	AISI (304L) 316L
2	Ball	1	AISI (304L) 316L
3	Sleeves	3	AISI (304L) 316L
4	Stem	1	AISI (304L) 316L
5	Ball Seals	4	PTFE Vergine Modificato
6	Sleeve Seals	3	PTFE
7	Stem Seal	1	PTFE
8	Stem Seal	1	PTFE
9	Stem or-Seal	1	FKM
10	Register ring	1	AISI 304L (303)
11	Locknut	1	AISI 303

