

313031_L_4 SEALS STANDARD SEALS - GAROLLA



THREE-way ball valve 4 seals with "L" port
Drive: ISO 5211 - DIN 3337 flange for actuator
Connection: GAROLLA
Flow: Full and reduced
Material: Aisi 304L (1.4307) - Aisi 316L (1.4404)
Measure: from DN32 to DN100
Seals: Modified Virgin P.T.F.E.
Operating temperature: -20°C+170°C
Outer finish: Polished

On request:

Antistatic device ATEX:

II 2G Ex h IIC T4 Gb

II 2D Ex h IIIC T135°C Db

M.O.C.A. CE 1935/2004

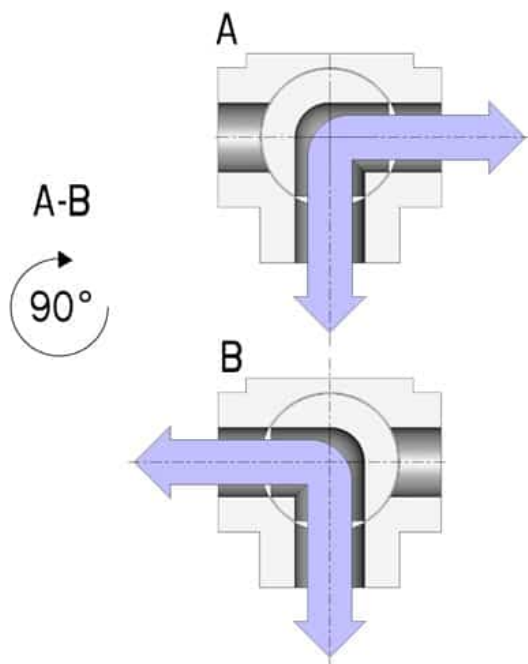
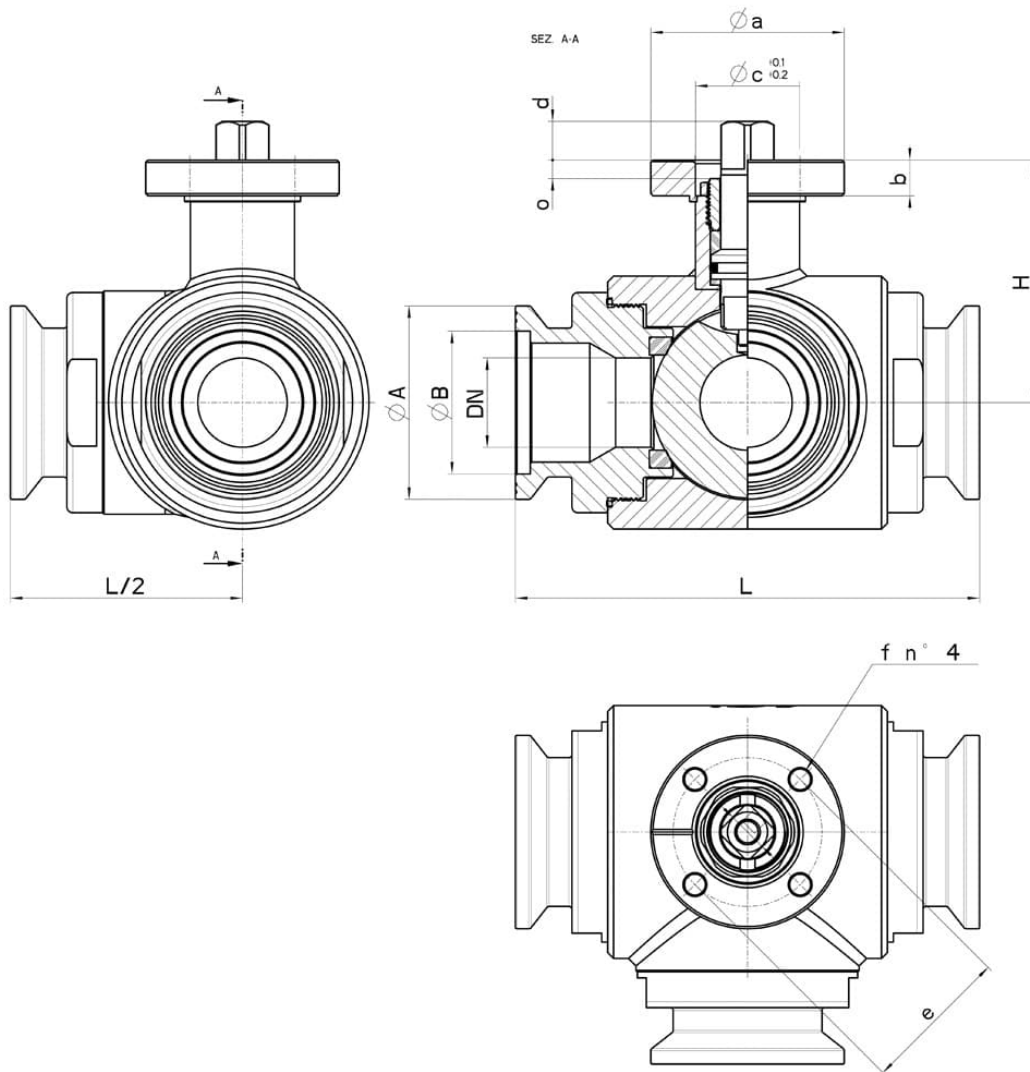
• Seals made of:

PTFE with glass -20°C+170°C

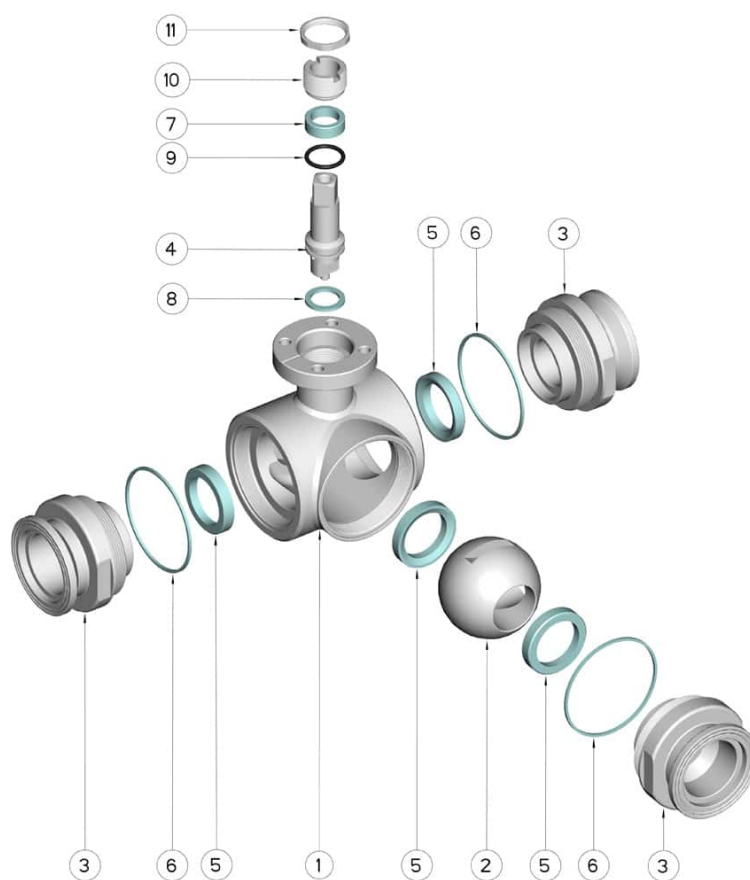
PTFE with carbographite -20°C+180°C

PTFE with inox -20°C+200°C

UHMW High-molecular weight polyethylene -20°C+80°C



GAROLLA	DN	L	Ø A	Ø B	H	PN	Kg	ISO-DIN	Ø a	b	Ø c x o	□	d	e	f	n° 4 Bolts	Nm	CODE AISI 304L	CODE AISI 316L
40	(Reduced) 32	156	65	48	81,5	64	6,15	F.05	65	12	35x4	14	13	50	7	M6x20	33	-	313031 63210
40	(Reduced) 32	156	65	48	81,5	64	6,45	F.07	90	12	55x4	17	15	70	9	M8x20	33	-	313031 6321F
40	40	172	65	48	89	64	7,61	F.05	65	12	35x4	14	13	50	7	M6x20	40	-	313031 63410
40	40	172	65	48	89	64	7,78	F.07	90	12	55x4	17	15	70	9	M8x20	40	-	313031 6341F
50	(Reduced) 40	172	75	56	89	64	8,35	F.05	65	12	35x4	14	13	50	7	M6x20	40	-	313031 63610
50	(Reduced) 40	172	75	56	89	64	8,55	F.07	90	12	55x4	17	15	70	9	M8x20	40	-	313031 6361F
50	50	182	75	56	91,5	40	9,23	F.07	90	12	55x4	17	15	70	9	M8x20	50	-	313031 63810
50	50	182	75	56	91,5	40	9,63	F.10	120	12	70x4	22	18	102	11	M10x25	50	-	313031 6381F
60	(Reduced) 50	182	87	66	91,5	40	9,38	F.07	90	12	55x4	17	15	70	9	M8x20	50	-	313031 63910
60	(Reduced) 50	182	87	66	91,5	40	9,75	F.10	125	12	70x4	22	18	102	11	M10x25	50	-	313031 6391F
70	65	196	97	76	101,5	40	11,43	F.07	90	12	55x4	17	15	70	9	M8x20	60	-	313031 64410
70	65	196	97	76	101,5	40	11,93	F.10	125	12	70x4	22	18	102	11	M10x25	60	-	313031 6441F
80	80	256	109	86	116	40	23,13	F.07	90	12	55x4	17	15	70	9	M8x20	110	313031 44810	313031 64810
80	80	256	109	86	116	40	23,63	F.10	120	12	70x4	22	18	102	11	M10x25	110	313031 4481F	313031 6481F
100	100	286	129	106	131	16	35,88	F.07	90	12	55x4	17	15	70	9	M8x20	130	313031 45410	313031 65410
100	100	286	129	106	131	16	36,38	F.10	125	12	70x4	22	18	102	11	M10x25	130	313031 4541F	313031 6541F
120	(Reduced) 100	296	158	129	131	16	38,38	F.07	90	12	55x4	17	15	70	9	M8x20	130	313031 45510	313031 65510
120	(Reduced) 100	296	158	129	131	16	38,88	F.10	125	12	70x4	22	18	102	11	M10x25	130	313031 4551F	313031 6551F



POS.	Denomination	PCS	MAT.
1	Body	1	AISI 304L - 316L
2	Ball	1	AISI 304L - 316L
3	Sleeves	3	AISI 304L - 316L
4	Stem	1	AISI 304L - 316L
5	Ball Seals	4	PTFE Vergine Modificato
6	Sleeve Seals	3	PTFE
7	Stem Seal	1	PTFE
8	Stem Seal	1	PTFE
9	Stem or-Seal	1	FKM
10	Register ring	1	AISI 304L (303)
11	Locknut	1	AISI 303

