

313030 L PORT FOR DIN PIPE



THREE-way ball valve 4 seals with "L" port
Drive: ISO 5211 - DIN 3337 flange for actuator
Connection: **CLAMP normative DIN 32676 TAB.2 REIHE A**
For TUBE according to normative DIN 11850
Flow: Full and reduced
Material: Aisi 304L e 316L
Measure: from DN10 to DN100
Seals: Modified Virgin P.T.F.E.
Operating temperature: -20°C+170°C
Outer finish: Polished

On request:

Antistatic device ATEX:

II 2G Ex h IIC T4 Gb

II 2D Ex h IIIC T135°C Db

M.O.C.A. CE 1935/2004

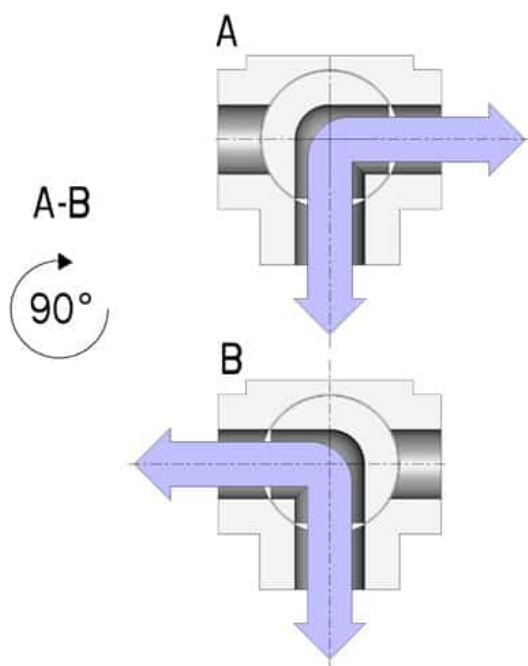
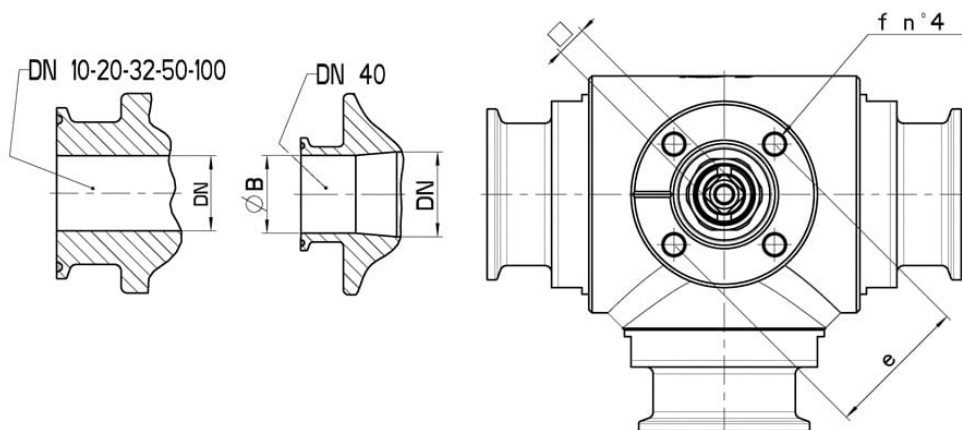
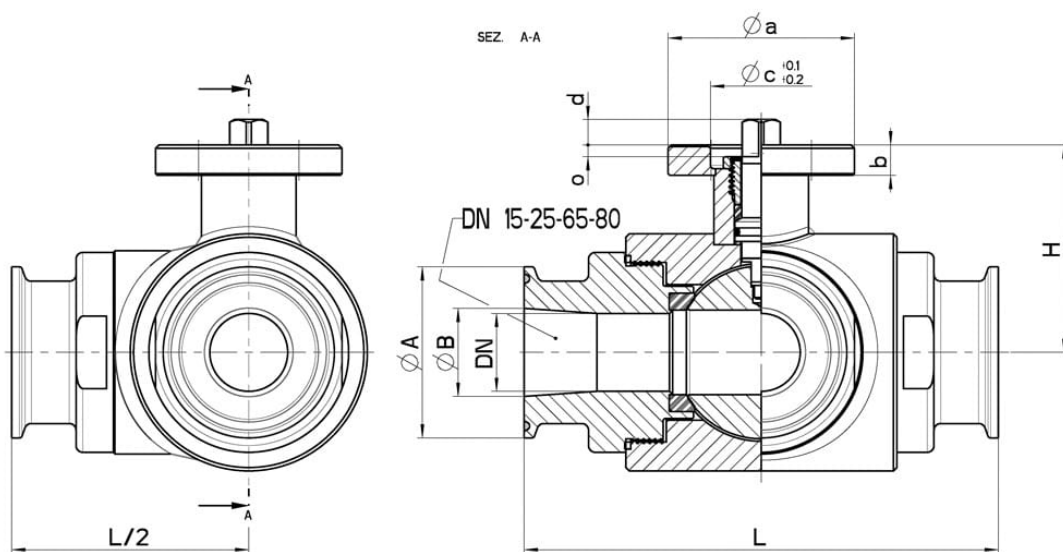
• Seals made of:

PTFE with glass -20°C+170°C

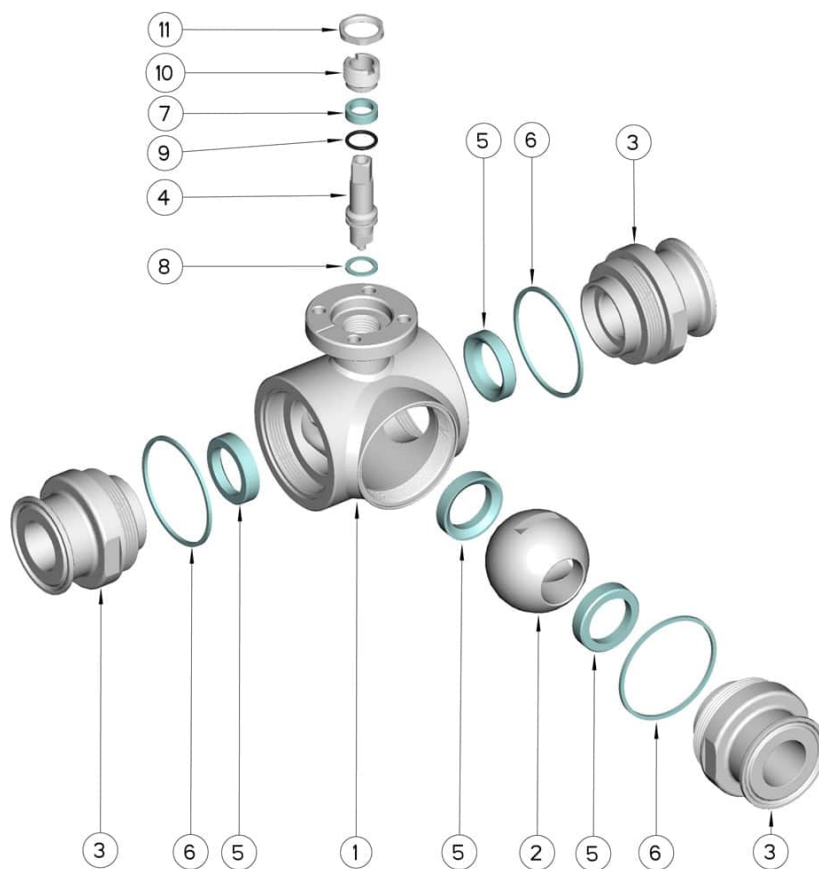
PTFE with carbographite -20°C+180°C

PTFE with inox -20°C+200°C

UHMW High-molecular weight polyethylene -20°C+80°C



CLAMP REIHE A DN	L	Ø A	Ø B	H	PN	Kg	ISO-DIN	Ø a	b	Ø c x o	□	d	e	f	n° 4 Bolts	Nm	CODE AISI 316L
10	108	34	10	46,5	100	1,07	F.03	46	9	25x3	9	8	36	6	M5x16	10	313030 61410
10	108	34	10	46,5	100	1,11	F.04	54	9	30x3	11	10	42	6	M5x16	10	313030 6141F
15	118	34	16	49	100	1,32	F.03	46	9	25x3	9	8	36	6	M5x16	12	313030 61910
15	118	34	16	49	100	1,36	F.04	54	9	30x3	11	10	42	6	M5x16	12	313030 6191F
20	130	34	20	56,5	100	2,45	F.04	54	9	30x3	11	10	42	6	M5x16	23	313030 62010
20	130	34	20	56,5	100	2,60	F.05	65	9	35x3	14	13	50	7	M6x16	23	313030 6201F
25	140	50,5	26	61	64	3,16	F.04	54	9	30x3	11	10	42	6	M5x16	25	313030 62810
25	140	50,5	26	61	64	3,26	F.05	65	9	35x3	14	13	50	7	M6x16	25	313030 6281F
32	156	50,5	32	81,5	64	4,95	F.05	65	12	35x4	14	13	50	7	M6x20	33	313030 63010
32	156	50,5	32	81,5	64	5,12	F.07	90	12	55x4	17	15	70	9	M8x20	33	313030 6301F
40	172	50,5	38	89	64	7,40	F.05	65	12	35x4	14	13	50	7	M6x20	40	313030 63510
40	172	50,5	38	89	64	7,57	F.07	90	12	55x4	17	15	70	9	M8x20	40	313030 6351F
50	182	64	50	91,5	40	8,83	F.07	90	12	55x4	17	15	70	9	M8x20	50	313030 64010
50	182	64	50	91,5	40	9,00	F.10	120	12	70x4	22	18	102	11	M10x25	50	313030 6401F
65	196	91	66	101,5	40	10,97	F.07	90	12	55x4	17	15	70	9	M8x20	60	313030 64610
65	196	91	66	101,5	40	11,47	F.10	125	12	70x4	22	18	102	11	M10x25	60	313030 6461F
80	256	106	81	116	40	22,50	F.07	90	12	55x4	17	15	70	9	M8x20	110	313030 64910
80	256	106	81	116	40	23,00	F.10	120	12	70x4	22	18	102	11	M10x25	110	313030 6491F
100	286	119	100	131	16	34,87	F.07	90	12	55x4	17	15	70	9	M8x20	130	313030 65610
100	286	119	100	100	16	35,35	F.10	125	12	70x4	22	18	102	11	M10x25	130	313030 6561F



POS.	Denomination	PCS	MAT.
1	Body	1	AISI 316L
2	Ball	1	AISI 316L
3	Sleeves	3	AISI 316L
4	Stem	1	AISI 316L
5	Ball Seals	4	PTFE Vergine Modificato
6	Sleeve Seals	3	PTFE
7	Stem Seal	1	PTFE
8	Stem Seal	1	PTFE
9	Stem or-Seal	1	FKM
10	Register ring	1	AISI 304L (303)
11	Locknut	1	AISI 303

