

313025_L_4 SEALS STANDARD SEALS - F DIN 11851



THREE-way ball valve 4 seals with "L" port
Drive: ISO 5211 - DIN 3337 flange for actuator
Connection: DIN 11851 female/female/female
Flow: Full
Material: Aisi 304L (1.4307) - Aisi 316L (1.4404)
Measure: from DN10 to DN100
Seals: Modified Virgin P.T.F.E.
Operating temperature: -20°C+170°C
Outer finish: Polished

On request:

Sistema antistatico ATEX II 2 G-D T4 zone 1-21
M.O.C.A. CE 1935/2004

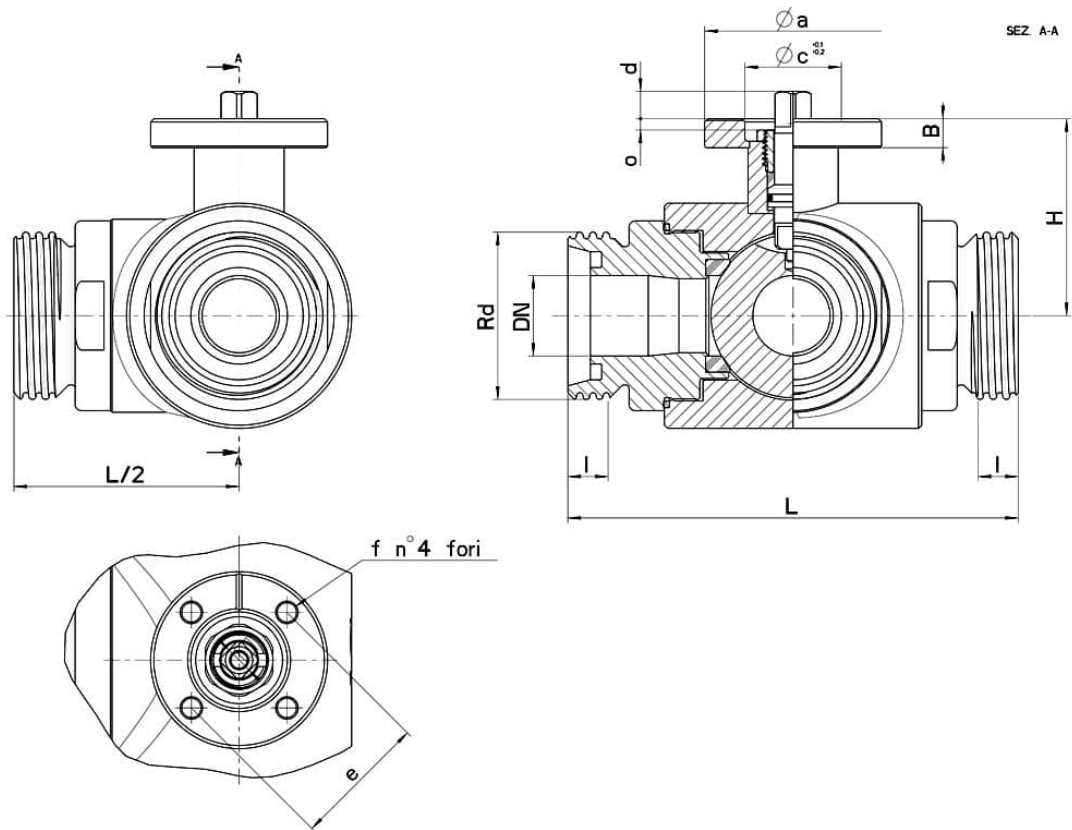
• Seals made of:

PTFE with glass -20°C+170°C

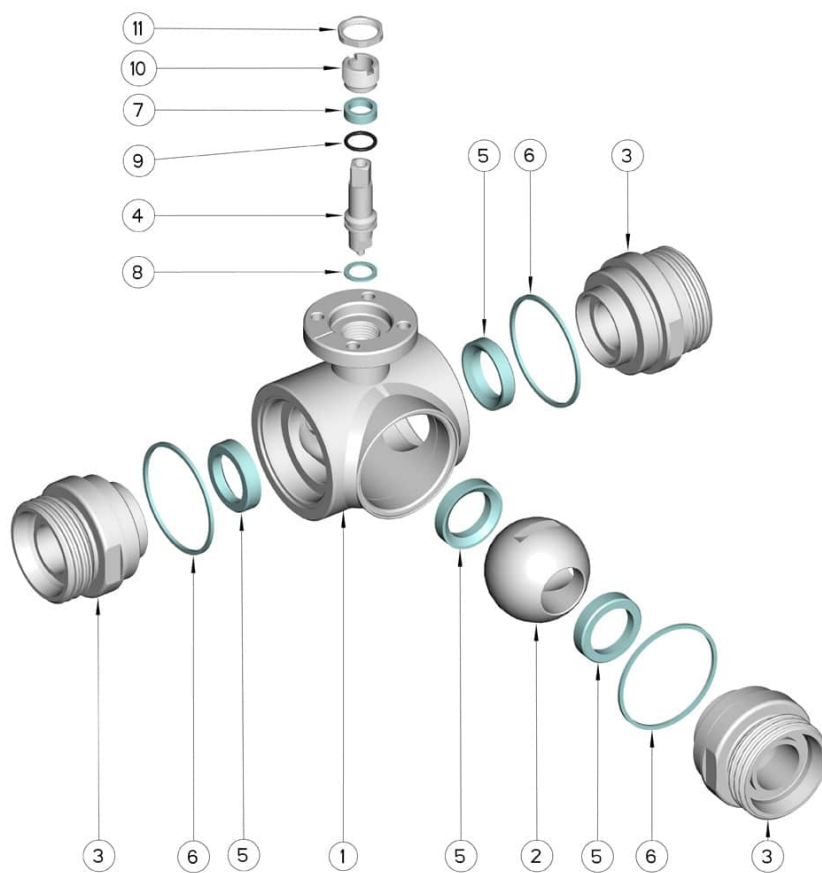
PTFE with carbographite -20°C+180°C

PTFE with inox -20°C+200°C

UHMW High-molecular weight polyethylene -20°C+80°C



DIN	DN	Rd	L	I	H	PN	Kg	ISO-DIN	Ø a	b	Ø c x o	□	d	e	f	n° 4 Bolts	Nm	CODE AISI 304L	CODE AISI 316L
10	10	28 x 1/8"	108	12	46,5	100	1,11	F.03	46	9	25x3	9	8	36	6	M5x16	10	-	313025 60810
10	10	28 x 1/8"	108	12	46,5	100	1,16	F.04	54	9	30x3	11	10	42	6	M5x16	10	-	313025 6081F
15	15	34 x 1/8"	118	12	49	100	1,47	F.03	46	9	25x3	9	8	36	6	M5x16	12	-	313025 61410
15	15	34 x 1/8"	118	12	49	100	1,52	F.04	54	9	30x3	11	10	42	6	M5x16	12	-	313015 6141F
20	20	44 x 1/6"	130	14	56,5	100	2,34	F.04	54	9	30x3	11	10	42	6	M5x16	23	-	313025 62010
20	20	44 x 1/6"	130	14	56,5	100	2,49	F.05	65	9	35x3	14	13	50	7	M6x16	23	-	313025 6201F
25	25	52 x 1/6"	140	14	61	64	3,06	F.04	54	9	30x3	11	10	42	6	M5x16	25	-	313025 62610
25	25	52 x 1/6"	140	14	61	64	3,19	F.05	65	9	35x3	14	13	50	7	M6x16	25	-	313025 6261F
32	32	58 x 1/6"	156	14	81,5	64	5,12	F.05	65	9	35x4	14	13	50	7	M6x20	33	-	313025 63010
32	32	58 x 1/6"	156	14	81,5	64	5,29	F.07	90	12	55x4	17	15	70	9	M8x20	33	-	313025 6301F
40	40	65 x 1/6"	172	14	89	64	7,55	F.05	65	12	35x4	14	13	50	7	M6x20	40	-	313025 63410
40	40	65 x 1/6"	172	14	89	64	7,72	F.07	90	12	55x4	17	15	70	9	M8x20	40	-	313025 6341F
50	50	78 x 1/6"	182	14	91,5	40	9,26	F.07	90	12	55x4	17	15	70	9	M8x20	50	-	313025 63810
50	50	78 x 1/6"	182	14	91,5	40	9,43	F.10	120	12	70x4	22	18	102	11	M10x25	50	-	313025 6381F
65	65	95 x 1/6"	196	16	101,5	40	11,24	F.07	90	12	55x4	17	15	70	9	M8x20	60	-	313025 64410
65	65	95 x 1/6"	196	16	101,5	40	11,74	F.10	125	12	70x4	22	18	102	11	M10x25	60	-	313025 6441F
80	80	110 x 1/4"	256	20	116	40	21,80	F.07	90	12	55x4	17	15	70	9	M8x20	110	313025 44810	313025 64810
80	80	110 x 1/4"	256	20	116	40	23,30	F.10	120	12	70x4	22	18	102	11	M10x25	110	313025 4481F	313025 6481F
100	100	130 x 1/4"	286	20	131	16	35,90	F.07	90	12	55x4	17	15	70	9	M8x20	130	313025 45410	313025 65410
100	100	130 x 1/4"	286	20	131	16	36,40	F.10	125	12	70x4	22	18	102	11	M10x25	130	313025 4541F	313025 6541F
125	(Reduced) 100	160 x 1/4"	286	25	131	16	-	F.07	90	12	55x4	17	15	70	9	M8x20	130	313025 45510	313025 65510
125	(Reduced) 100	160 x 1/4"	286	25	131	16	-	F.10	125	12	70x4	22	18	102	11	M10x25	130	313025 4551F	313025 6551F



POS.	Denomination	PCS	MAT.
1	Body	1	AISI 304L - 316L
2	Ball	1	AISI 304L - 316L
3	Sleeves	3	AISI 304L - 316L
4	Stem	1	AISI 304L - 316L
5	Ball Seals	4	PTFE Vergine Modificato
6	Sleeve Seals	3	PTFE
7	Stem Seal	1	PTFE
8	Stem Seal	1	PTFE
9	Stem or-Seal	1	FKM
10	Register ring	1	AISI 304L (303)
11	Locknut	1	AISI 303

