

## 313004\_L\_4 SEALS STANDARD SEALS - F NPT



THREE-way ball valve 4 seals with "L" port  
Drive: ISO 5211 - DIN 3337 flange for actuator  
Connection: NPT female/female/female thread  
Flow: Full  
Material: Aisi 316L (1.4404)  
Measure: from 1/4" to 4"  
Seals: Modified Virgin P.T.F.E.  
Operating temperature: -20°C+170°C  
Outer finish: Polished

On request:

Antistatic device ATEX:

II 2G Ex h IIC T4 Gb

II 2D Ex h IIIC T135°C Db

M.O.C.A. CE 1935/2004

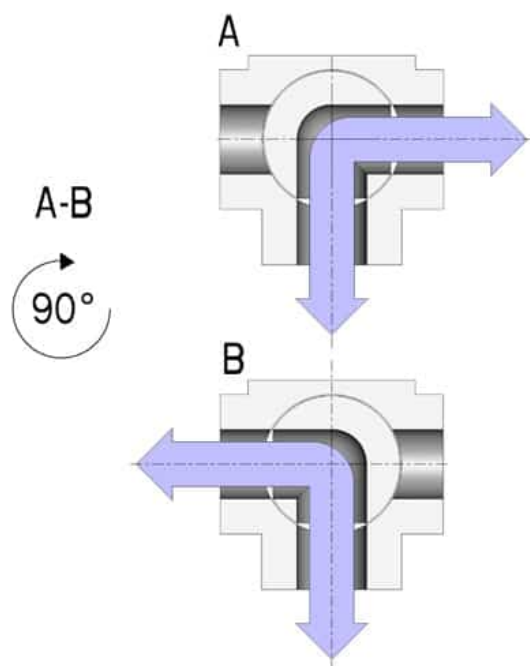
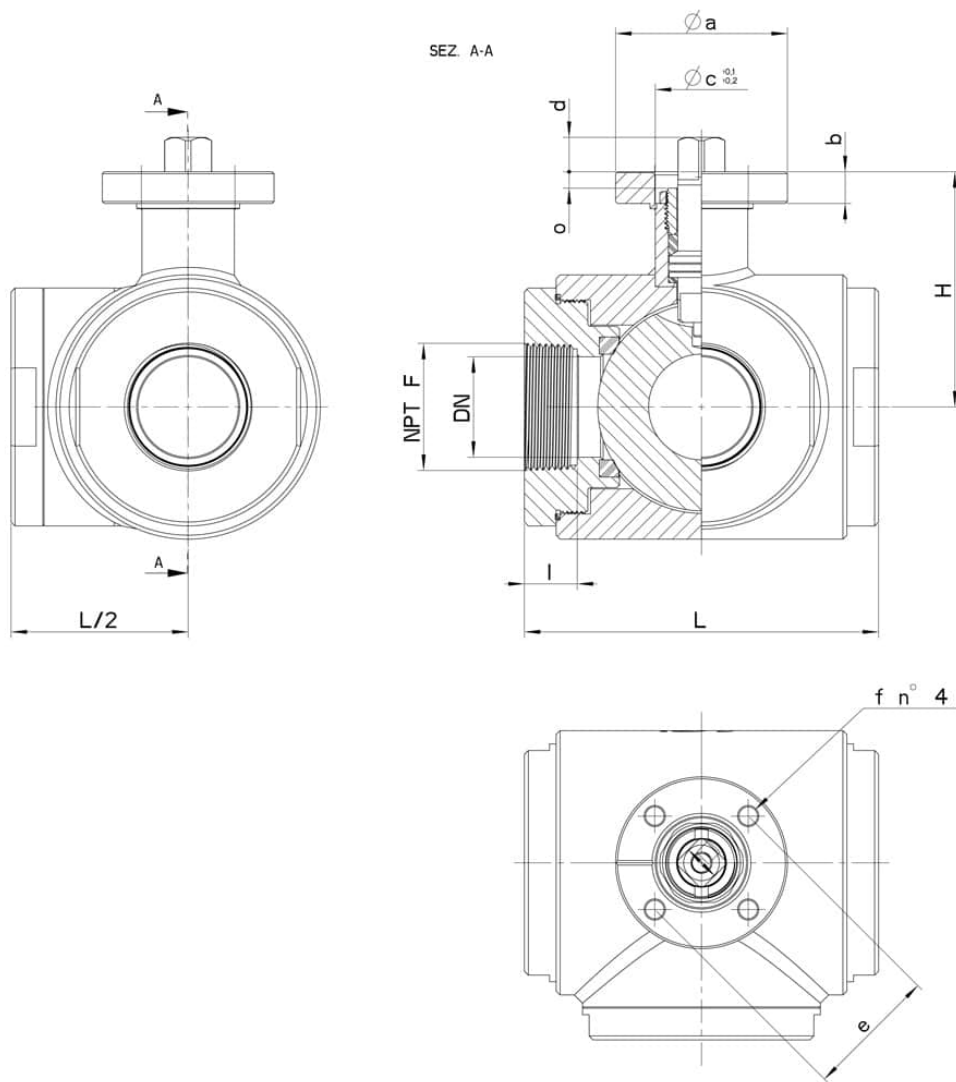
• Seals made of:

PTFE with glass -20°C+170°C

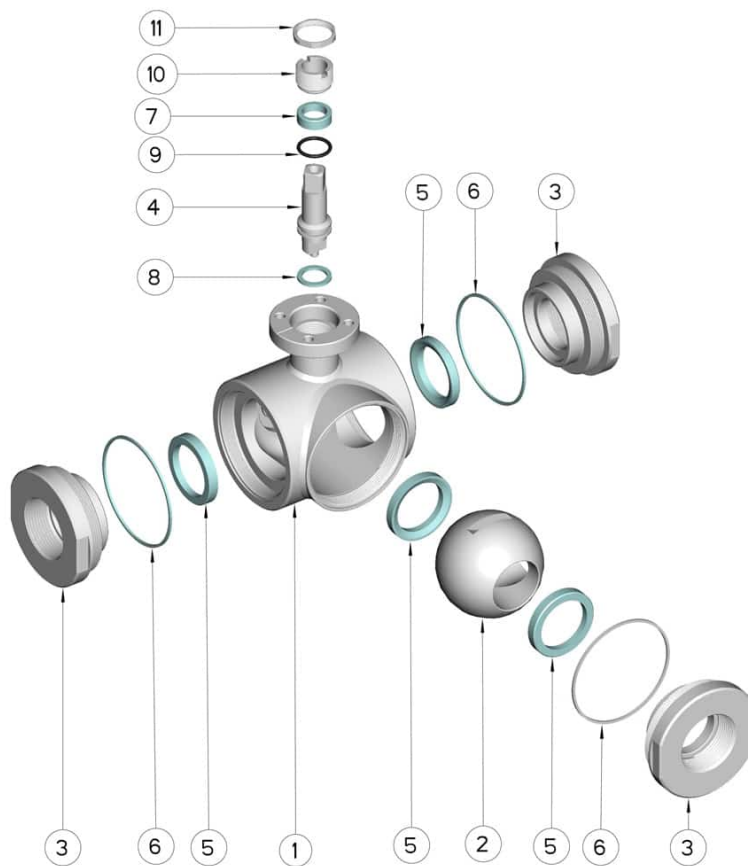
PTFE with carbographe -20°C+180°C

PTFE with inox -20°C+200°C

UHMW High-molecular weight polyethylene -20°C+80°C



NPT F	DN	L	I	H	PN	Kg	ISO-DIN	Ø A	b	Ø C x O	□	d	e	f	n° 4 Bolts	Nm	CODE AISI 316L
1/4"	12	72	16	46,5	100	0,96	F.03	46	9	25x3	9	8	36	6	M5x16	10	313004 60410
1/4"	12	72	16	46,5	100	1,00	F.04	54	9	30x3	11	10	42	6	M5x16	10	313004 6041F
3/8"	12	72	16	46,5	100	0,93	F.03	46	9	25x3	9	8	36	6	M5x16	10	313004 60810
3/8"	12	72	16	46,5	100	0,97	F.04	54	9	30x3	11	10	42	6	M5x16	10	313004 6081F
1/2"	15	82	18	49	100	1,23	F.03	46	9	25x3	9	8	36	6	M5x16	12	313004 61410
1/2"	15	82	18	49	100	1,29	F.04	54	9	30x3	11	10	42	6	M5x16	12	313004 6141F
3/4"	20	92	19	56,5	100	1,85	F.04	54	9	30x3	11	10	42	6	M5x16	23	313004 62010
3/4"	20	92	19	56,5	100	2,06	F.05	65	9	35x3	14	13	50	7	M6x16	23	313004 6201F
1"	25	102	20	61	64	2,52	F.04	54	9	30x3	11	10	42	6	M5x16	25	313004 62610
1"	25	102	20	61	64	2,67	F.05	65	9	35x3	14	13	50	7	M6x16	25	313004 6261F
1*1/4	32	118	20	81,5	64	4,46	F.05	65	12	35x4	14	13	50	7	M6x20	33	313004 63010
1*1/4	32	118	20	81,5	64	4,63	F.07	90	12	55x4	17	15	70	9	M8x20	33	313004 6301F
1*1/2	40	134	20	89	64	6,80	F.05	65	12	35x4	14	13	50	7	M6x20	40	313004 63410
1*1/2	40	134	20	89	64	6,97	F.07	90	12	55x4	17	15	70	9	M8x20	40	313004 6341F
2"	50	144	20	91,5	40	8,23	F.07	90	12	55x4	17	15	70	9	M8x20	50	313004 63810
2"	50	144	20	91,5	40	8,73	F.10	120	12	70x4	22	18	102	11	M10x25	50	313004 6381F
2*1/2	65	160	22	101,5	40	10,02	F.07	90	12	55x4	17	15	70	9	M8x20	60	313004 64410
2*1/2	65	160	22	101,5	40	10,52	F.10	125	12	70x4	22	18	102	11	M10x25	60	313004 6441F
3"	80	200	26	116	40	20,90	F.07	90	12	55x4	17	15	70	9	M8x20	110	313004 64810
3"	80	200	26	116	40	21,40	F.10	120	12	70x4	22	18	102	11	M10x25	110	313004 6481F
4"	100	240	26	131	16	33,50	F.07	90	12	55x4	17	15	70	9	M8x20	130	313004 65410
4"	100	240	26	131	16	34,00	F.10	125	12	70x4	22	18	102	11	M10x25	130	313004 6541F



POS.	Denomination	PCS	MAT.
1	Body	1	AISI 316L
2	Ball	1	AISI 316L
3	Sleeves	3	AISI 316L
4	Stem	1	AISI 316L
5	Ball Seals	4	PTFE Vergine Modificato
6	Sleeve Seals	3	PTFE
7	Stem Seal	1	PTFE
8	Stem Seal	1	PTFE
9	Stem or-Seal	1	FKM
10	Register ring	1	AISI 304L (303)
11	Locknut	1	AISI 303

