

## 310156\_L\_STANDARD SEALS\_REVOLVING THREADED FLANGES EN 1759-1 CLASS 300



THREE-way ball valve 4 seals with "L" port  
Drive: Inox lever  
Connection: Revolving threaded flanges EN 1759-1 CLASS 300 (exANSI 300)  
Flow: Full  
Material: Aisi 316L (1.4404)  
Measure: from 1/2" to 4"  
Seals: Modified Virgin P.T.F.E.  
Operating temperature: -20°C+170°C  
Outer finish: Polished

On request:

Antistatic device ATEX:

II 2G Ex h IIC T4 Gb

II 2D Ex h IIIC T135°C Db

M.O.C.A. CE 1935/2004

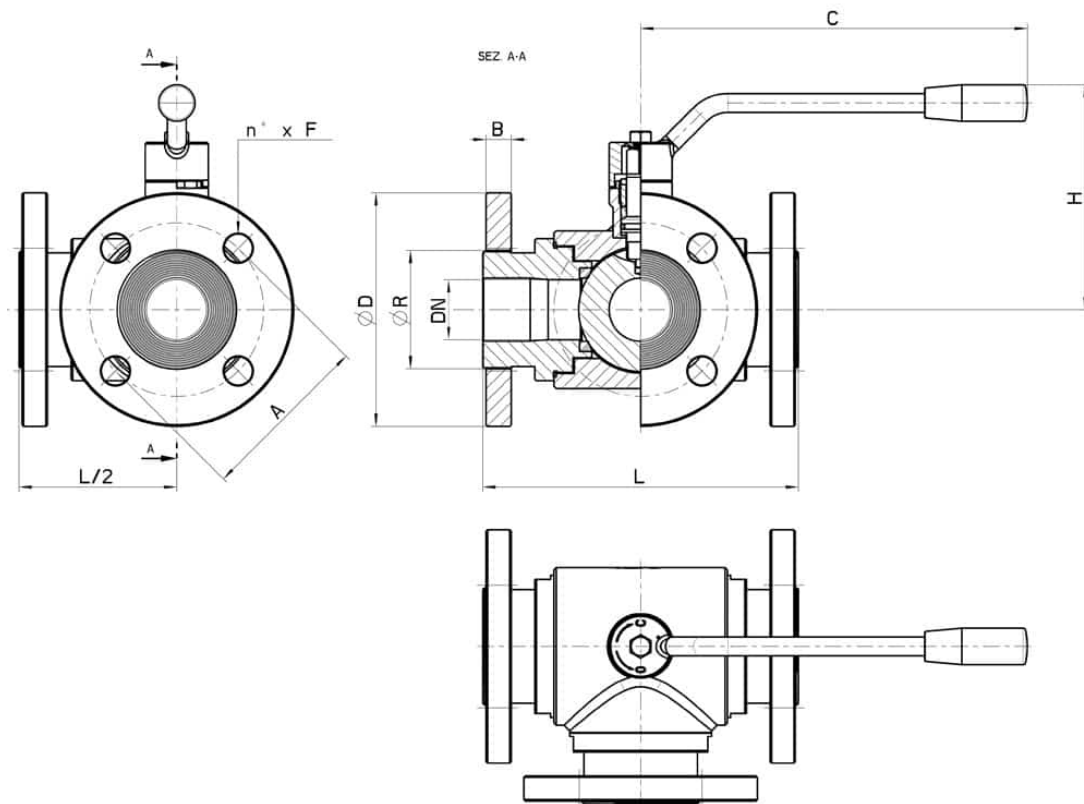
• Seals made of:

PTFE with glass -20°C+170°C

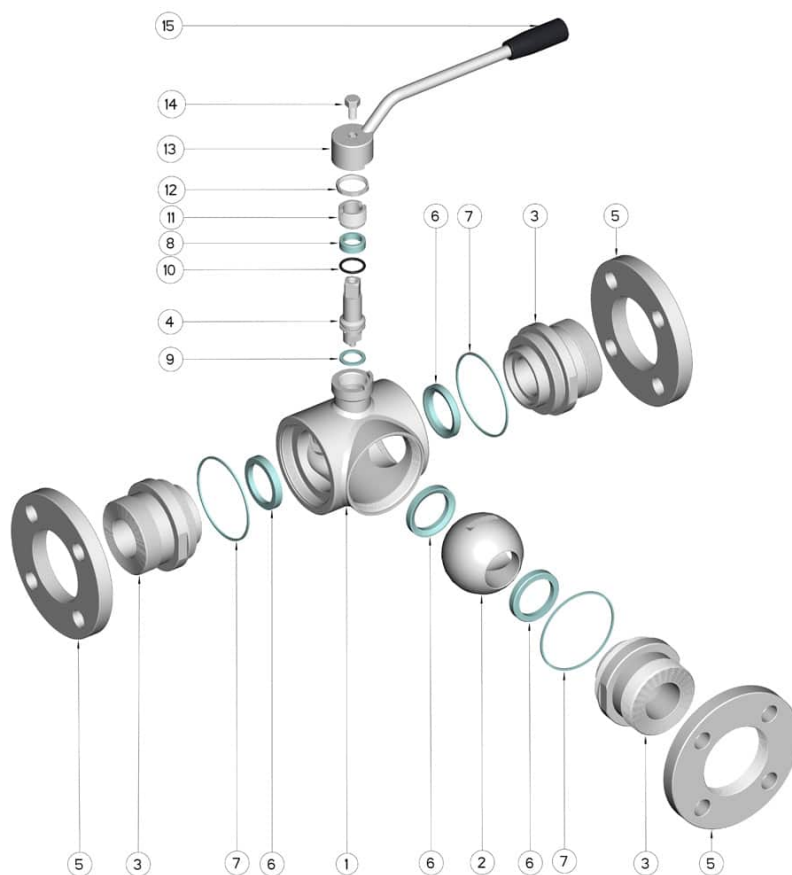
PTFE with carbographite -20°C+180°C

PTFE with inox -20°C+200°C

UHMW High-molecular weight polyethylene -20°C+80°C



DN	DN	L	C	H	Ø D	B	Ø R	A	n° x F	Kg	COD. AISI 316L
1/2"	15	130	130	90	95,2	12,7	34	66,7	4x16	-	310156 61410
3/4"	20	150	170	100	117,5	14,5	42	82,5	4x19	-	310156 62010
1"	25	160	170	110	123,8	16	51	88,9	4x19	-	310156 62610
1"1/4	32	180	240	130	133	17,4	63	98,4	4x19	-	310156 63010
1"1/2	40	200	240	140	155,6	21	75	114,3	4x22	-	310156 63410
2"	50	230	260	150	165,1	24	110	127	8x19	-	310156 63810
2"1/2	65	290	300	160	190,5	27	110	149,2	8x22,2	-	310156 64410
3"	80	310	330	175	210	27	120	168,3	8x22,2	-	310156 64810
4"	100	350	330	190	254	30,2	140	200	8x22,2	-	310156 65410



POS.	Denomination	PCS	MAT.
1	Body	1	AISI 304L - 316L
2	Ball	1	AISI 304L - 316L
3	Sleeves	3	AISI 304L - 316L
4	Stem	1	AISI 304L - 316L
5	Flanges	3	AISI 304L - 316L
6	Ball Seals	4	PTFE Vergine Modificato
7	Sleeve Seals	3	PTFE
8	Stem Seal	1	PTFE
9	Stem Seal	1	PTFE
10	Stem or-Seal	1	FKM
11	Register ring	1	AISI 304L (303)
12	Nut	1	AISI 304L
13	Washer	1	AISI 304L
14	Lever	1	AISI 304L
15	Lever	1	Resin

