

## 310155\_L\_STANDARD SEALS - REVOLVING THREADED FLANGES EN 1759-1 CLASS 150

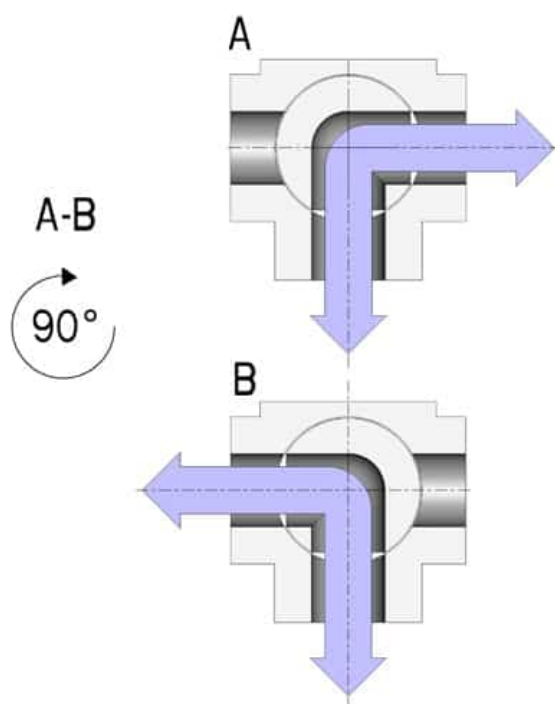
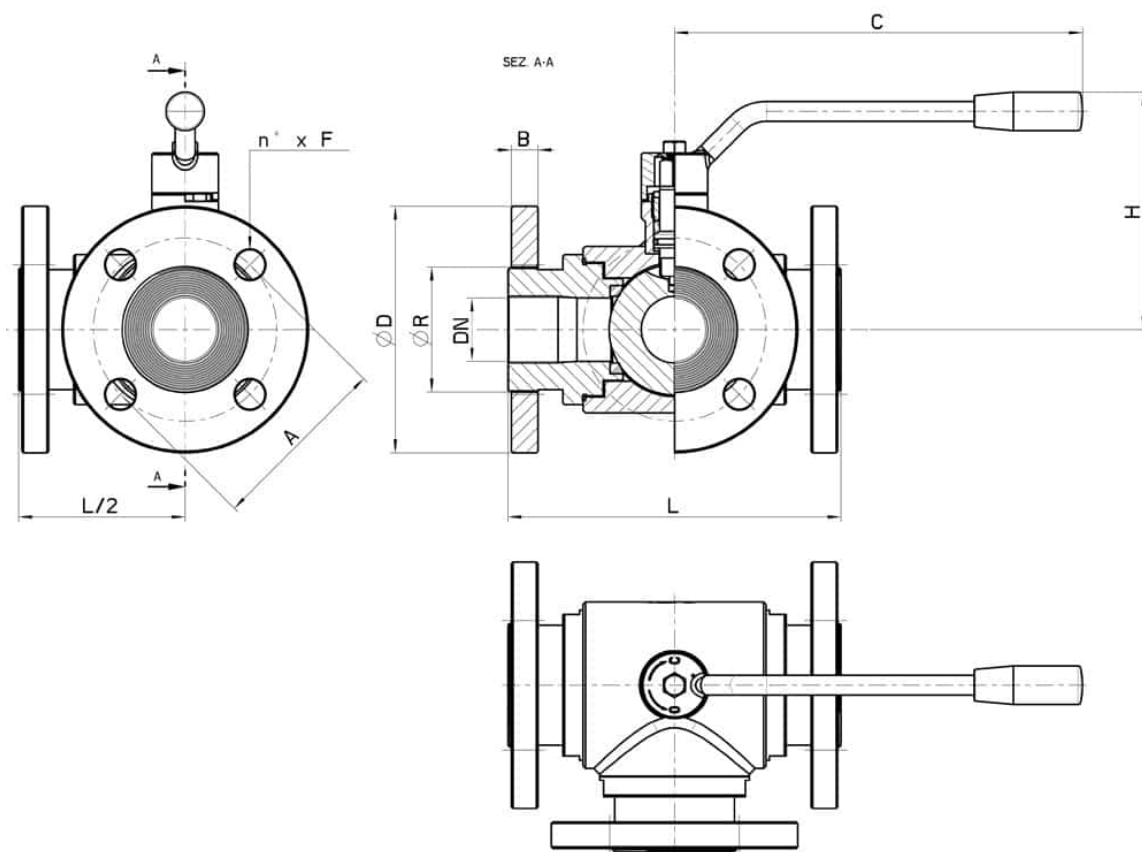


THREE-way ball valve 4 seals with "L" port  
Drive: Inox lever  
Connection: Revolving threaded flanges EN 1759-1 CLASS 150 (exANSI 150)  
Flow: Full  
Material: Aisi 304L (1.4307) - Aisi 316L (1.4404)  
Measure: from 1/2" to 4"  
Seals: Modified Virgin P.T.F.E.  
Operating temperature: -20°C+170°C  
Outer finish: Polished

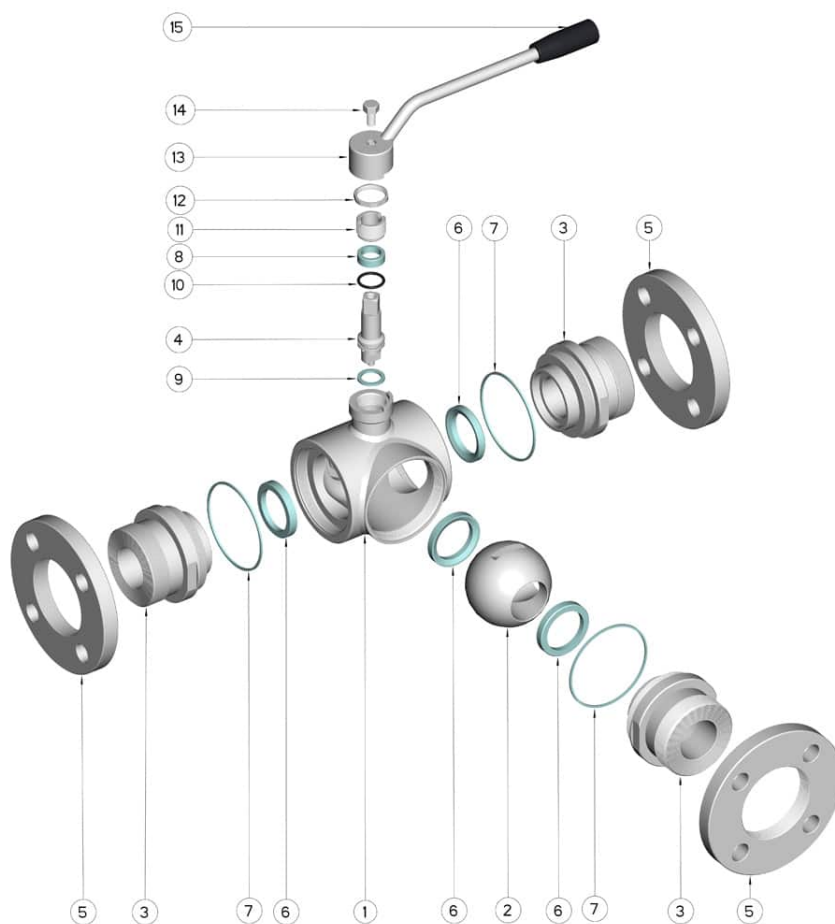
On request:

Antistatic device ATEX:  
II 2G Ex h IIC T4 Gb  
II 2D Ex h IIIC T135°C Db  
M.O.C.A. CE 1935/2004

• Seals made of:  
PTFE with glass -20°C+170°C  
PTFE with carbographite -20°C+180°C  
PTFE with inox -20°C+200°C  
UHMW High-molecular weight polyethylene -20°C+80°C



EN 1759-1 CLASS 150 (exANSI 150)	DN	L	C	H	Ø D	B	Ø R	A	n x f	Kg	CODE AISI 304L	CODE AISI 316L
15	15	130	130	90	88.9	9.5	35	60.6	4x16	-	310155 41410	310155 61410
20	20	140	170	100	98.4	11.1	42	69.8	4x16	-	310155 42010	310155 62010
25	25	150	170	110	108	12.7	51	79.4	4x16	-	310155 42610	310155 62610
32	32	180	240	130	117.5	14.3	63	88.9	4x16	-	310155 43010	310155 63010
40	40	200	240	140	127	15.9	75	98.4	4x16	-	310155 43410	310155 63410
50	50	220	260	150	152.4	17.4	89	120.6	4x19	-	310155 43810	310155 63810
65 *	65	240	300	160	177.8	20.6	110	139.7	4x19	-	310155 44410	310155 64410
80 *	80	260	330	175	190.5	22.2	120	152.4	4x19	-	310155 44810	310155 64810
100 *	100	300	330	190	228.5	22.2	140	190.5	8x19	-	310155 45410	310155 65410



POS.	DENOMINATION	PCS	MAT.
1	Body	1	AISI 304L - 316L
2	Ball	1	AISI 304L - 316L
3	Sleeves	3	AISI 304L - 316L
4	Stem	1	AISI 304L - 316L
5	Flanges	3	AISI 304L - 316L
6	Ball Seals	4	PTFE Vergine Modificato
7	Sleeve Seals	3	PTFE
8	Stem Seal	1	PTFE
9	Stem Seal	1	PTFE
10	Stem or-Seal	1	FKM
11	Register ring	1	AISI 304L (303)
12	Nut	1	AISI 304L
13	Washer	1	AISI 304L
14	Lever	1	AISI 304L
15	Handle	1	Resin

