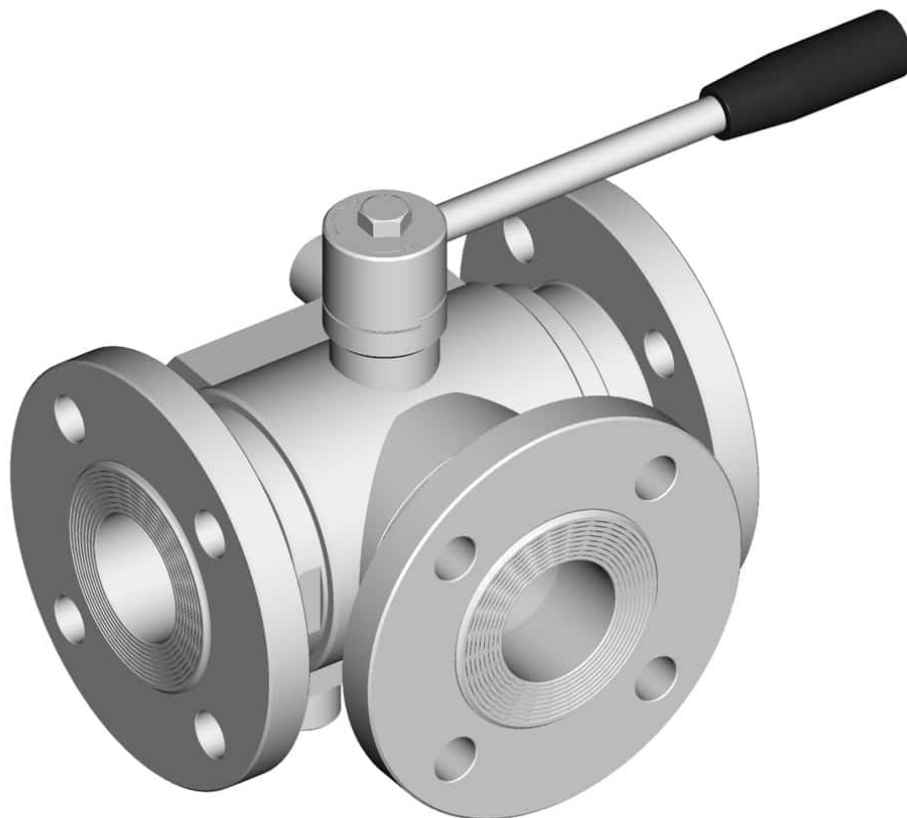


## 310150C\_L\_STANDARD SEAL\_REVOLVING THREADED FLANGES UNI EN 1092-1 - HEATING JACKET



THREE-way ball valve 4 seals with "L" port with HEATING JACKET

Drive: Inox lever

Connection: Revolving threaded flanges UNI EN 1092-1:2003

Flow: Full and reduced

Material: Aisi 304L (1.4307) - Aisi 316L (1.4404)

Measure: from DN10 to DN125

Seals: Modified Virgin P.T.F.E.

Operating temperature: -20°C+170°C

Outer finish: Polished

On request: Antistatic device ATEX:

II 2G Ex h IIC T4 Gb

II 2D Ex h IIIC T135°C Db

M.O.C.A. CE 1935/2004

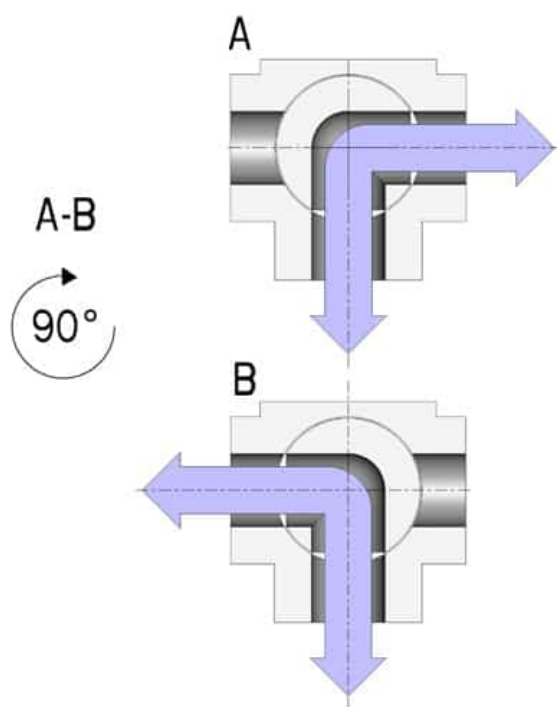
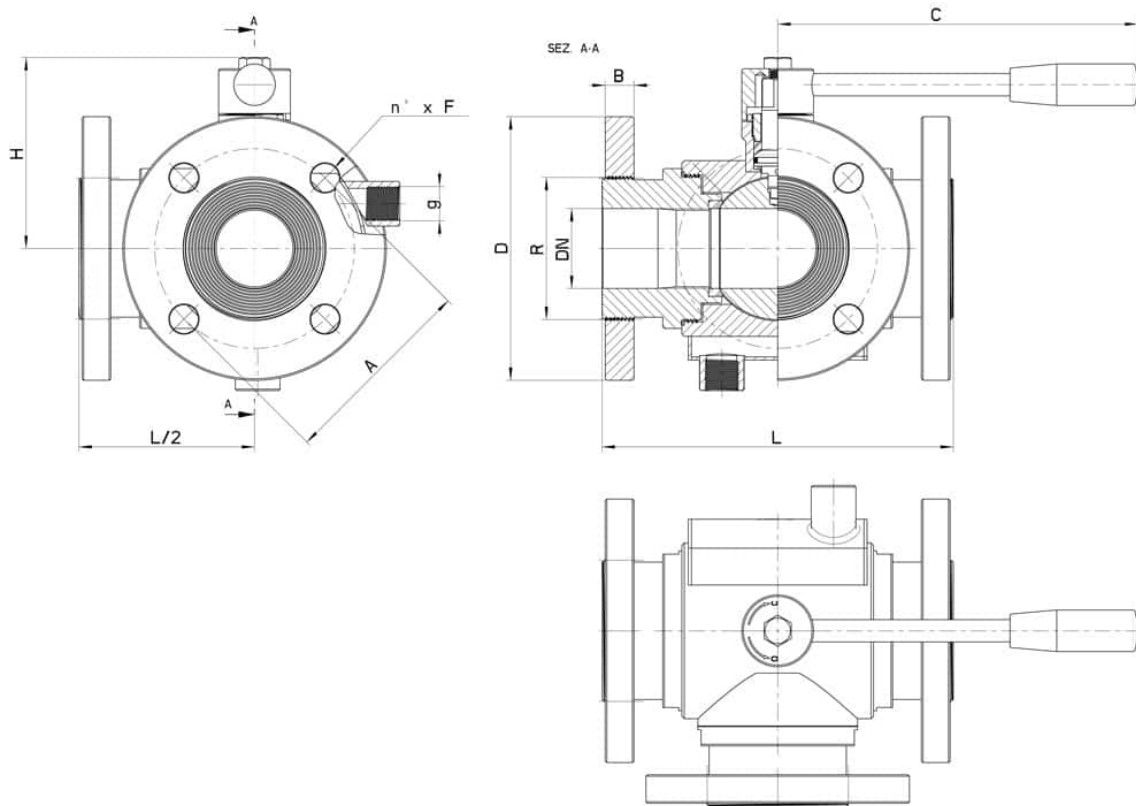
• Seals made of:

PTFE with glass -20°C+170°C

PTFE with carbographite -20°C+180°C

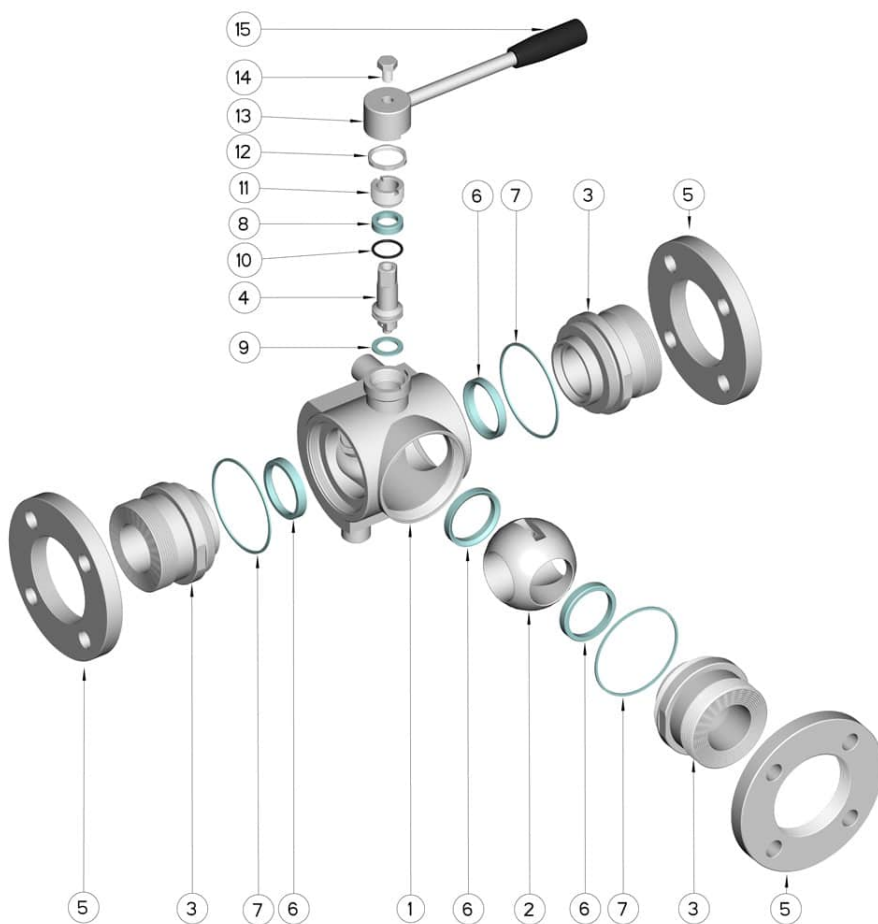
PTFE with inox -20°C+200°C

UHMW High-molecular weight polyethylene -20°C+80°C



DN	DN	L	C	H	D	B	R	A	n° x F	g	PN	Kg	CODE AISI 304L	CODE AISI 316L
10	10	120	130	85	90	12	30	60	4x14	3/8"	40	-	-	310150C60810
15	15	130	130	90	95	12	35	65	4x14	3/8"	40	3,52	-	310150C61410
20	20	140	170	100	105	14	42	75	4x14	3/8"	40	-	-	310150C62010
25	25	150	170	110	115	14	51	85	4x14	3/8"	40	6,54	-	310150C62610
32	32	180	240	130	140	16	63	100	4x18	1/2"	40	11,15	-	310150C63010
40	40	200	240	140	150	16	75	110	4x18	1/2"	40	14,62	-	310150C63410
50	50	220	260	150	165	18	89	125	4x18	1/2"	40	18,60	-	310150C63810
65 *	65	240	300	160	185	18	110	145	4x18	1/2"	16	-	-	310150C64410
65 *	65	240	300	160	185	20	110	145	8x18	1/2"	40	-	-	310152C64410
80 *	80	260	330	175	200	18	120	160	8x18	1/2"	16	-	310150C44810	310150C64810
80 *	80	260	330	175	200	22	120	160	8x18	1/2"	40	-	310152C44810	310152C64810
100 *	100	300	330	190	220	20	140	180	8x18	1/2"	16	-	310150C45410	310150C65410
125 * (Reduced)	100	325	330	190	250	22	153	210	8x18	1/2"	19	-	310150C45510	310150C65510

\* = 4 Vie



POS.	DENOMINATION	PCS	MAT.
1	Body	1	AISI 304L - 316L
2	Ball	1	AISI 304L - 316L
3	Sleeves	3	AISI 304L - 316L
4	Stem	1	AISI 304L - 316L
5	Flanges	3	AISI 304L - 316L
6	Ball Seals	4	PTFE Vergine Modificato
7	Sleeve Seals	3	PTFE
8	Stem Seal	1	PTFE
9	Stem Seal	1	PTFE
10	Stem or-Seal	1	FKM
11	Register ring	1	AISI 304L (303)
12	Nut	1	AISI 304L
13	Lever	1	AISI 304L
14	SCREW	1	AISI 304L
15	Handle	1	DUROPLAST (PF)

