

310146_L_4 SEALS STANDARD SEALS - M SMS



THREE-way ball valve 4 seals with "L" port

Drive: Inox lever

Connection: SMS male/male/male

Flow: Full

Material: Aisi 304L (1.4307) - Aisi 316L (1.4404)

Measure: from DN20 to DN100

Seals: Modified Virgin P.T.F.E.

Operating temperature: -20°C+170°C

Outer finish: Polished

On request:

Antistatic device ATEX:

II 2G Ex h IIC T4 Gb

II 2D Ex h IIIC T135°C Db

M.O.C.A. CE 1935/2004

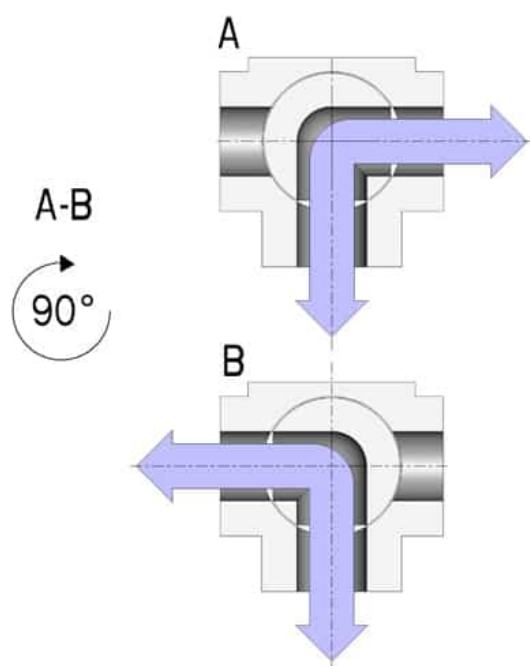
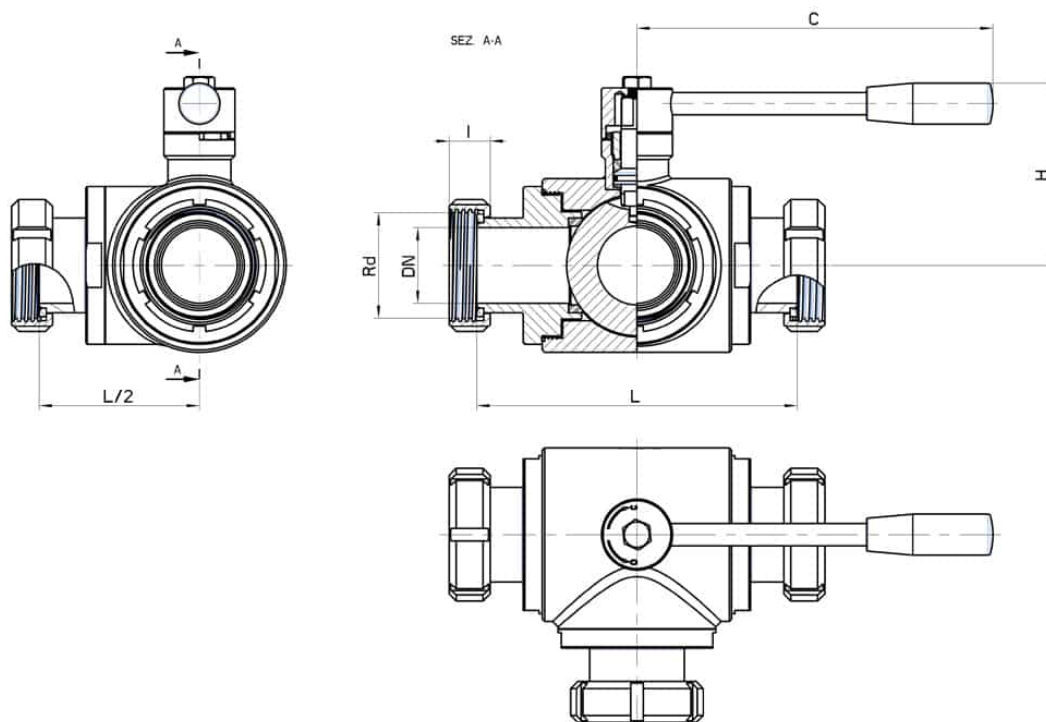
• Seals made of:

PTFE with glass -20°C+170°C

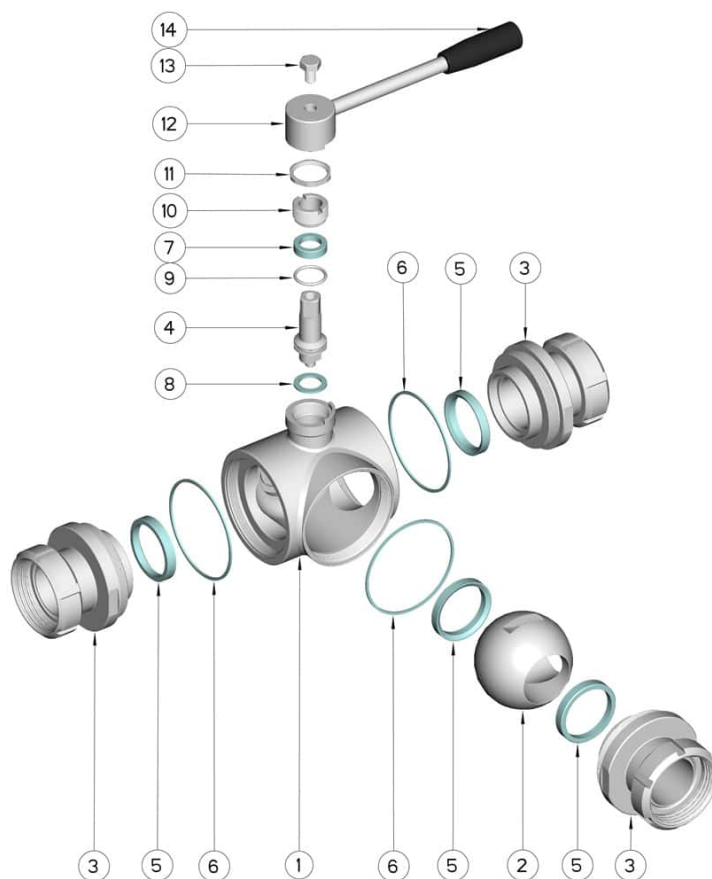
PTFE with carbographite -20°C+180°C

PTFE with inox -20°C+200°C

UHMW High-molecular weight polyethylene -20°C+80°C



| SMS | DN | Rd | L | I | C | H | PN | Kg | CODE AISI 304L | CODE AISI 316L |
|------|-------|------------|-----|----|-----|-----|-----|----|----------------|----------------|
| 25** | 20 | 40 x 1/6" | 144 | 21 | 160 | 70 | 100 | - | - | 310146 62010 |
| 25 | 25 | 40 x 1/6" | 158 | 21 | 160 | 80 | 64 | - | - | 310146 62610 |
| 38 | 40 | 60 x 1/6" | 190 | 21 | 190 | 110 | 64 | - | - | 310146 63410 |
| 51 | 50 | 70 x 1/6" | 202 | 22 | 220 | 120 | 40 | - | - | 310146 63810 |
| 63 | 65 * | 85 x 1/6" | 214 | 25 | 285 | 130 | 40 | - | - | 310146 64410 |
| 76** | 65 * | 98 x 1/6" | 214 | 25 | 285 | 130 | 40 | - | - | 310146 64510 |
| 76 | 80 * | 98 x 1/6" | 266 | 30 | 310 | 145 | 40 | - | 310146 44810 | 310146 64810 |
| 104 | 100 * | 125 x 1/4" | 302 | 31 | 310 | 160 | 16 | - | 310146 45410 | 310146 65410 |
| 101 | 100 * | 132 x 1/6" | 302 | 31 | 310 | 160 | 16 | - | 310146 45510 | 310146 65510 |



| POS. | Denomination | PCS | MAT. |
|------|---------------|-----|-------------------------|
| 1 | Body | 1 | AISI 304L - 316L |
| 2 | Ball | 1 | AISI 304L - 316L |
| 3 | Sleeves | 3 | AISI 304L - 316L |
| 4 | Stem | 1 | AISI 304L - 316L |
| 5 | Ball Seals | 4 | PTFE Vergine Modificato |
| 6 | Sleeve Seals | 3 | PTFE |
| 7 | Stem Seal | 1 | PTFE |
| 8 | Stem Seal | 1 | PTFE |
| 9 | Stem or-Seal | 1 | FKM |
| 10 | Register ring | 1 | AISI 304L (303) |
| 11 | Nut | 1 | AISI 304L |
| 12 | Lever | 1 | AISI 304L |
| 13 | SCREW | 1 | AISI 304L |
| 14 | Handle | 1 | DUROPLAST (PF) |

