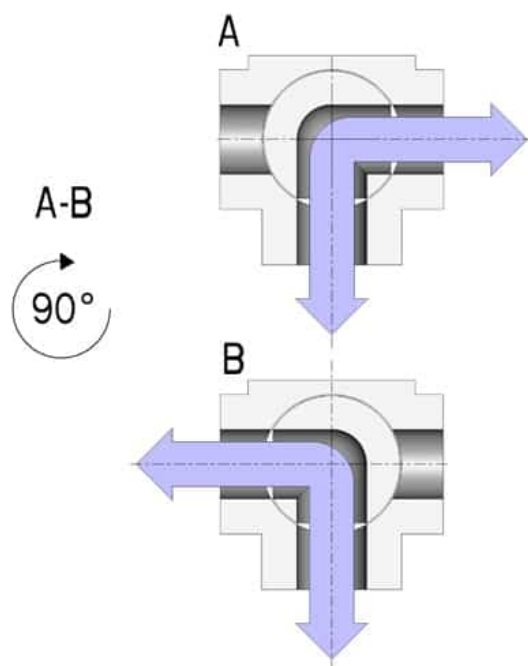
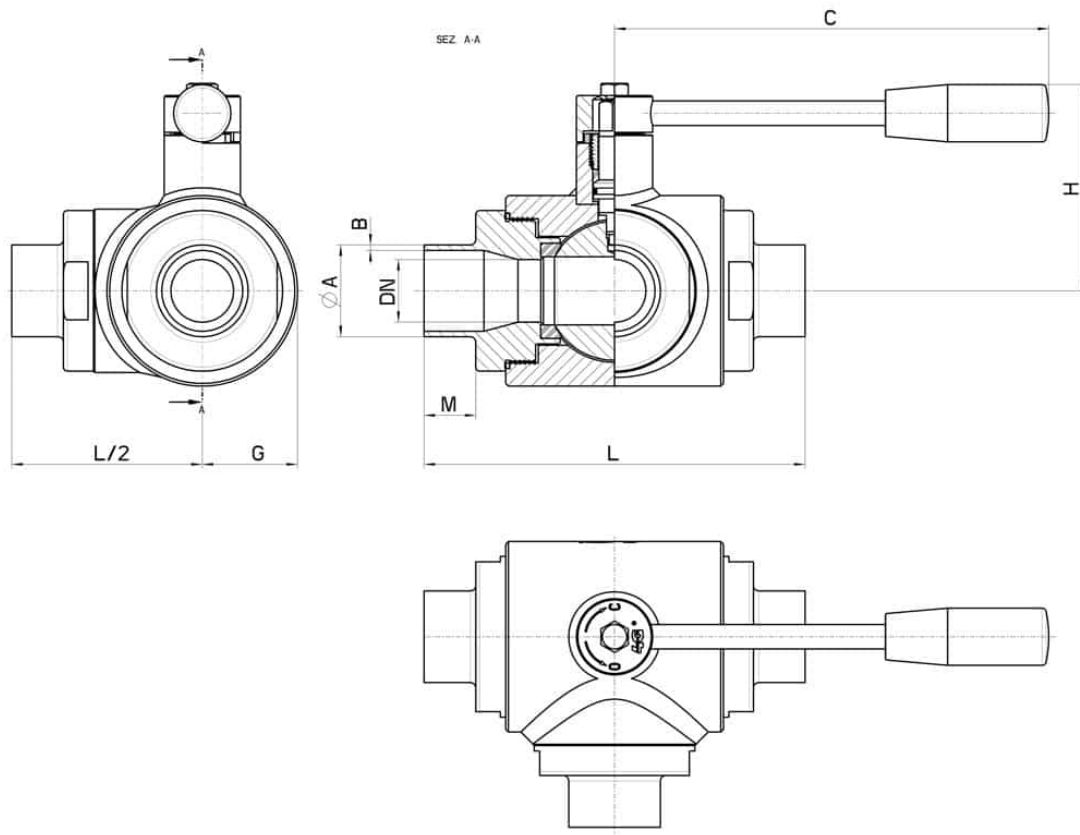


310142_L_STANDARD SELAS_BUTT-WELDING IN ACCORDING TO ISO 1127

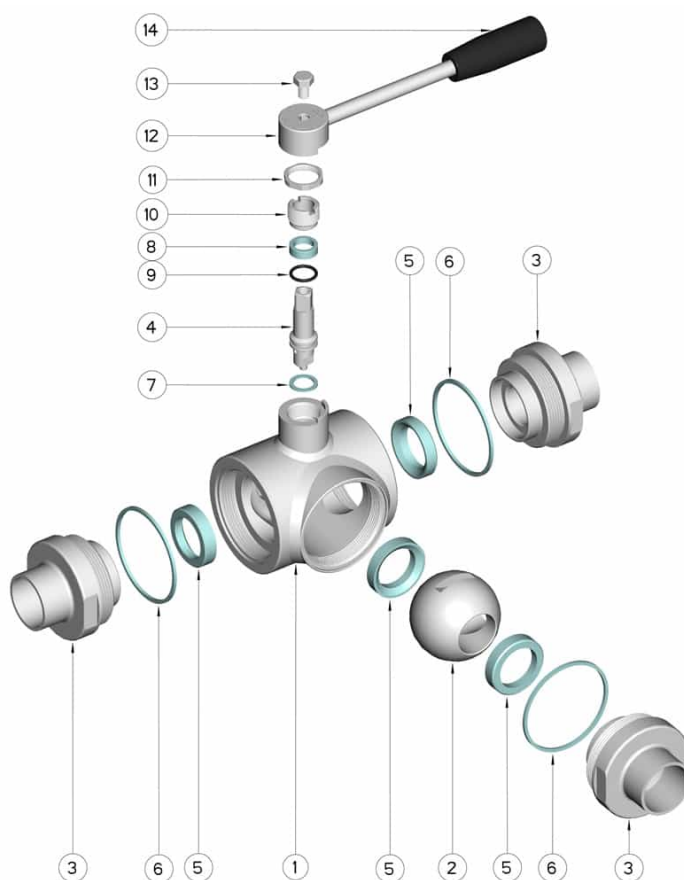


THREE-way ball valve 4 seals with "L" port
Drive: Inox lever
Connection: Butt-welding in according to ISO 1127
Flow: Full a
Material: Aisi 316L (1.4404)
Measure: DN10 a DN100
Seals: Modified Virgin P.T.F.E.
Operating temperature: -20°C+170°C
Outer finish: Polished

On request:
Antistatic device ATEX:
II 2G Ex h IIC T4 Gb
II 2D Ex h IIIC T135°C Db
M.O.C.A. CE 1935/2004
• Seals made of:
PTFE with glass -20°C+170°C
PTFE with carbographite -20°C+180°C
PTFE with inox -20°C+200°C
UHMW High-molecular weight polyethylene -20°C+80°C



DN	ØA x B	M	L	G	C	H	PN	Kg	COD. AISI 316L
10	17,2 X 1,65	17	108	22.5	110	60	100	-	310142 6B310
15	21,3 X 1,65	18	118	26	110	65	100	-	310142 6C210
20	26,9 X 1,65	19	130	30	160	70	100	-	310142 6E310
25	33,7 X 2	19	140	35	160	80	64	-	310142 6H910
32	42,4 X 2	19	156	42.5	190	95	64	-	310142 6L210
40	48,3 X 2	19	172	50	190	110	64	-	310142 6M110
50	60,3 X 2	19	182	55	220	120	40	-	310142 6Q910
65	76,1 X 2	21	196	80	285	130	40	-	310142 6U610
80	88,9 X 2	27	256	100	310	145	40	-	310142 6W910
100	114,3 X 2	27	286	120	310	160	16	-	310142 6Y410



POS.	Denomination	PCS	MAT.
1	Body	1	AISI 316L
2	Ball	1	AISI 316L
3	Sleeves	3	AISI 316L
4	Stem	1	AISI 316L
5	Ball Seals	4	PTFE Vergine Modificato
6	Sleeve Seals	3	PTFE
7	Stem Seal	1	PTFE
8	Stem Seal	1	PTFE
9	Stem or-Seal	1	FKM
10	Register ring	1	AISI 304L (303)
11	Nut	1	AISI 304L
12	Lever	1	AISI 304L
13	SCREW	1	AISI 304L
14	Handle	1	DUROPLAST (PF)

