

310131_L_4 SEALS STANDARD SEALS - GAROLLA



THREE-way ball valve 4 seals with "L" port

Drive: Inox lever

Connection: GAROLLA

Flow: Full and reduced

Material: Aisi 304L (1.4307) - Aisi 316L (1.4404)

Measure: from DN32 to DN100

Seals: Modified Virgin P.T.F.E.

Operating temperature: -20°C+170°C

Outer finish: Polished

On request:

Antistatic device ATEX:

II 2G Ex h IIC T4 Gb

II 2D Ex h IIIC T135°C Db

M.O.C.A. CE 1935/2004

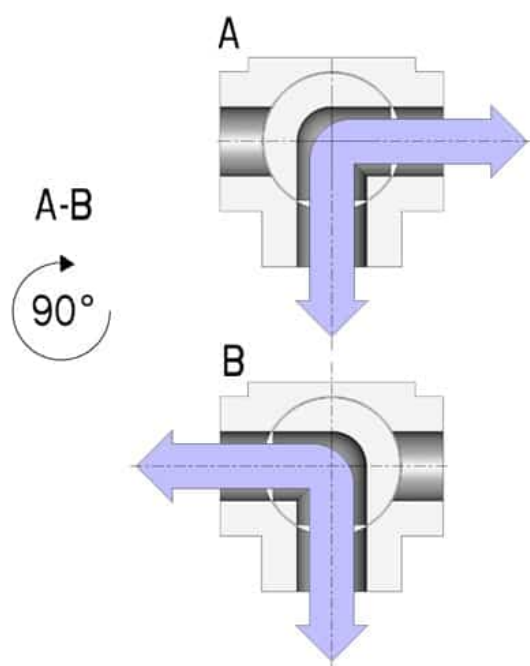
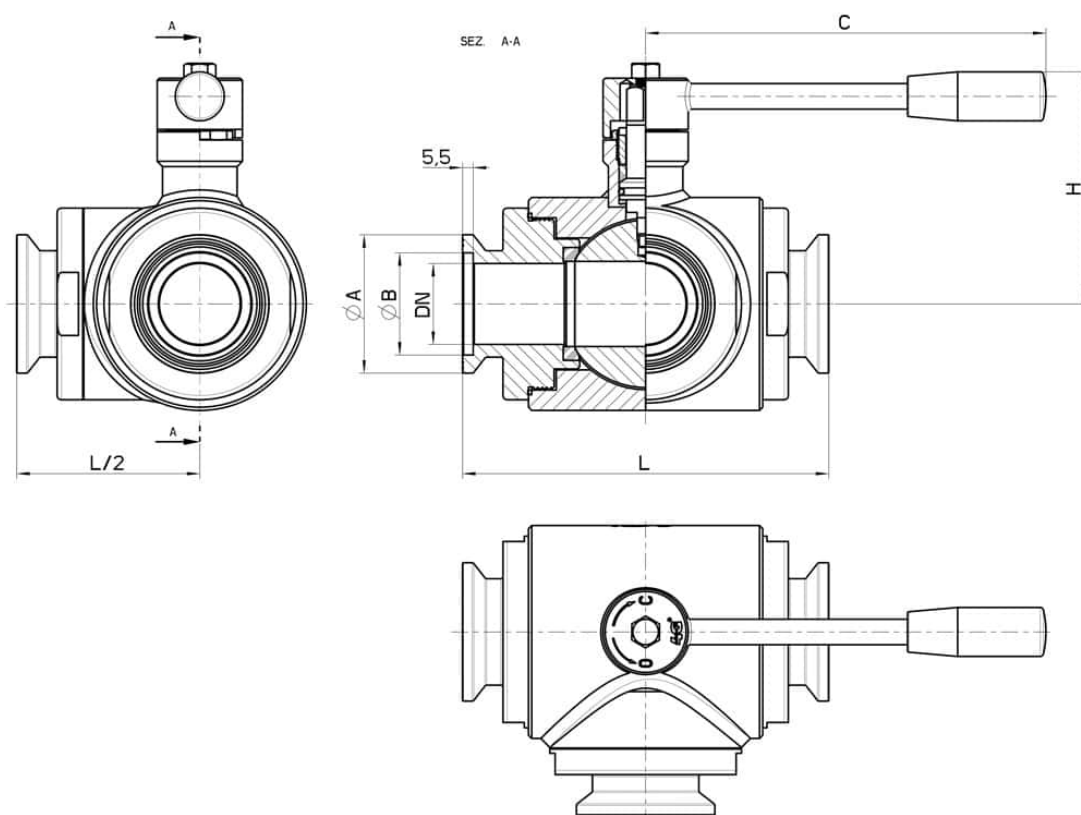
• Seals made of:

PTFE with glass -20°C+170°C

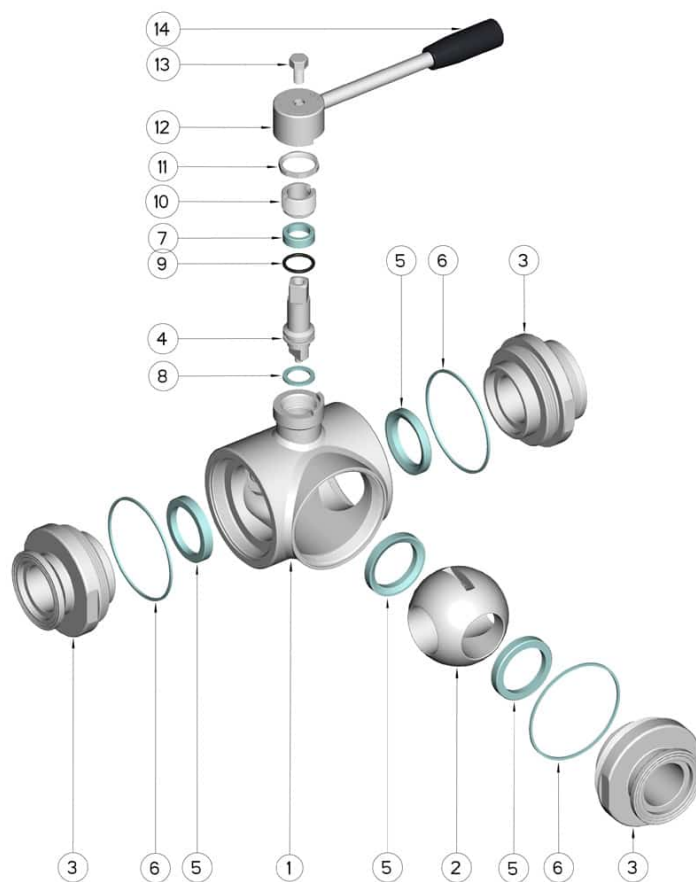
PTFE with carbographite -20°C+180°C

PTFE with inox -20°C+200°C

UHMW High-molecular weight polyethylene -20°C+80°C



GAROLLA	DN	L	Ø A	Ø B	C	H	PN	Kg	CODE AISI 304L	CODE AISI 316L
40	(Reduced) 32	156	65	48	190	95	64	5,95	-	310131 63210
40	40	172	65	48	190	110	64	7,64	-	310131 63410
50	(Reduced) 40	172	75	56	190	110	64	-	-	310131 63610
50	50	182	75	56	220	120	40	8,83	-	310131 63810
60	(Reduced) 50	182	87	66	220	120	40	9,08	-	310131 63910
70	65	196	97	76	285	130	40	11,38	-	310131 64410
80	80	256	109	86	310	145	40	23,34	310131 44810	310131 64810
100	100	286	129	106	310	160	16	36,05	310131 45410	310131 65410
120	(Reduced) 100	298	158	129	310	160	16	38,55	310131 45510	310131 65510



POS.	Denomination	PCS	MAT.
1	Body	1	AISI 304L - 316L
2	Ball	1	AISI 304L - 316L
3	Sleeves	3	AISI 304L - 316L
4	Stem	1	AISI 304L - 316L
5	Ball Seals	4	PTFE Vergine Modificato
6	Sleeve Seals	3	PTFE
7	Stem Seal	1	PTFE
8	Stem Seal	1	PTFE
9	Stem or-Seal	1	FKM
10	Register ring	1	AISI 304L (303)
11	Nut	1	AISI 304L
12	Lever	1	AISI 304L
13	SCREW	1	AISI 304L
14	Handle	1	DUROPLAST (PF)

