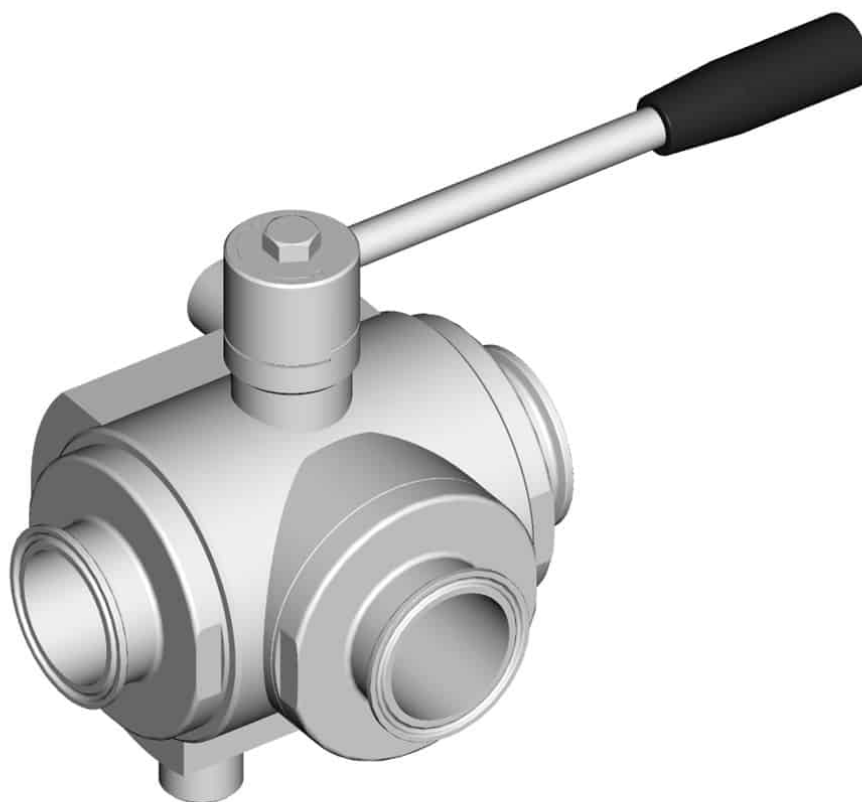


310130C L FOR BS PIPE - HEATING JACKET



THREE-way ball valve 4 seals with "L" port with HEATING JACKET

Drive: Inox lever

Connection: **CLAMP normative DIN 32676 TAB.4 REIHE C**
For TUBE according to normative BS/OD (ASTM A270)

Flow: Full and reduced

Material: Aisi 304L (1.4307) - Aisi 316L (1.4404)

Measure: from 1/2" to 4"

Seals: Modified Virgin P.T.F.E.

Operating temperature: -20°C+170°C

Outer finish: Polished

On request:

Antistatic device ATEX:

II 2G Ex h IIC T4 Gb

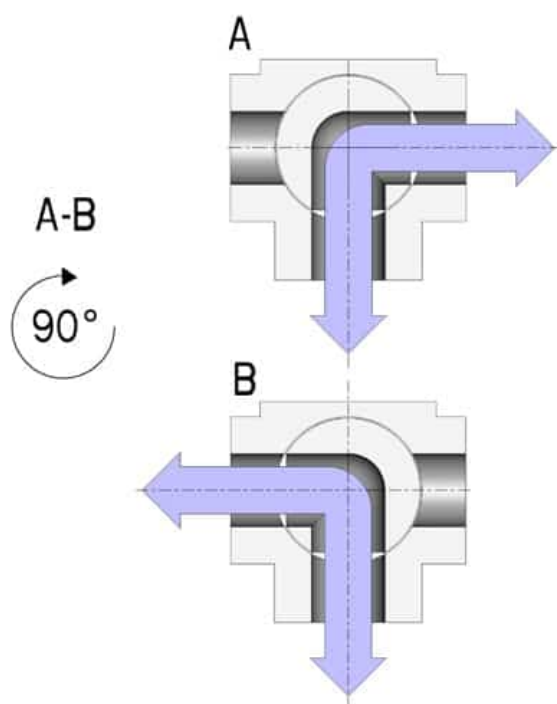
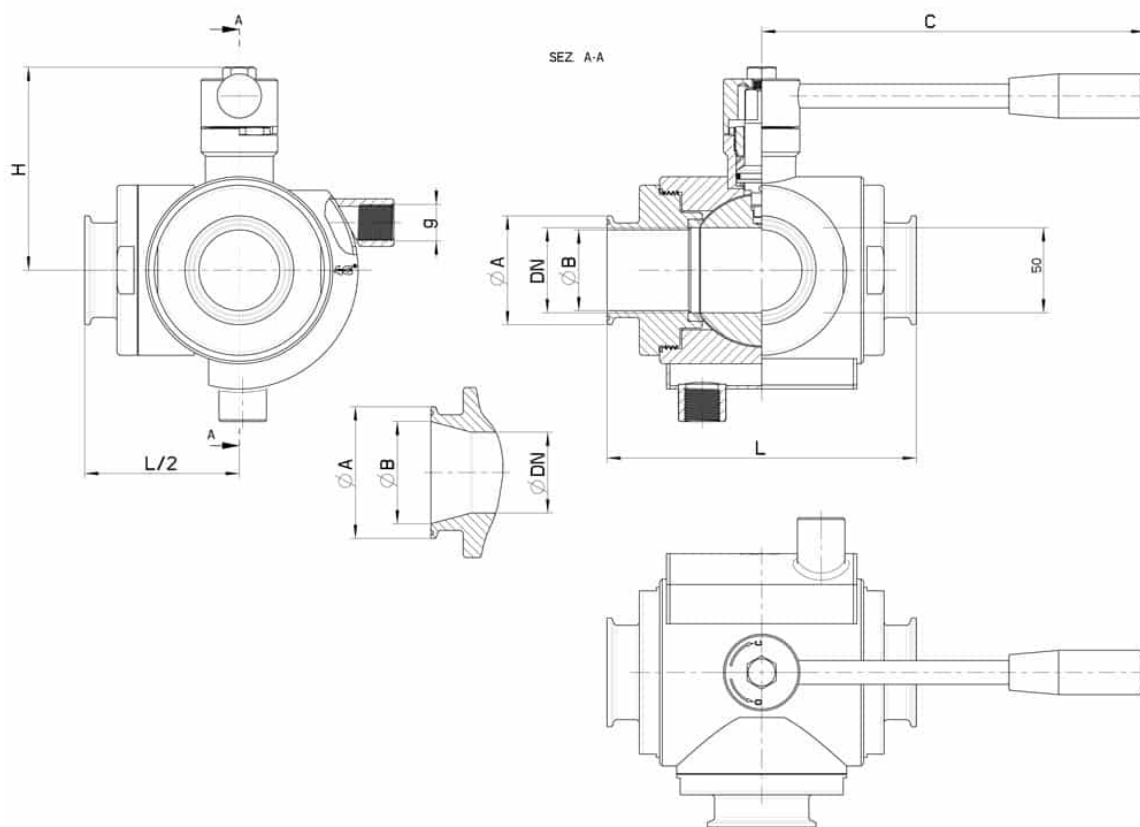
II 2D Ex h IIIC T135°C Db

M.O.C.A. CE 1935/2004

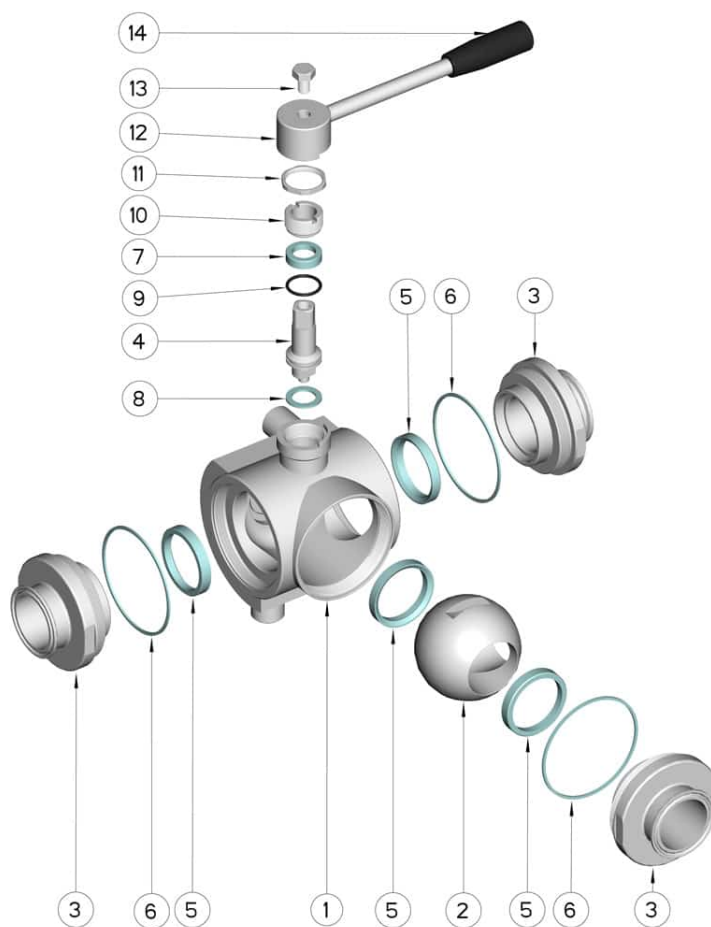
• Seals made of:

PTFE with inox -20°C+200°C

UHMW High-molecular weight polyethylene -20°C+80°C



| CLAMP REIHE C INCH | DN | L | Ø A | Ø B | C | H | g | PN | Kg | CODE AISI 304L | CODE AISI 316L |
|--------------------|-----|-----|------|-------|-----|-----|------|-----|----|----------------|----------------|
| 1/2" | 10 | 108 | 25 | 9,7 | 110 | 60 | 3/8" | 100 | - | - | 310130C61210 |
| 3/4" | 15 | 118 | 25 | 15,75 | 110 | 65 | 3/8" | 100 | - | - | 310130C61810 |
| 1" | 20 | 130 | 50,5 | 22,2 | 160 | 70 | 3/8" | 100 | - | - | 310130C62410 |
| 1" | 25 | 140 | 50,5 | 22,2 | 160 | 80 | 3/8" | 64 | - | - | 310130C62610 |
| 1"1/2 | 32 | 156 | 50,5 | 34,8 | 190 | 95 | 1/2" | 64 | - | - | 310130C63210 |
| 1"1/2 | 40 | 172 | 50,5 | 34,8 | 190 | 110 | 1/2" | 64 | - | - | 310130C63410 |
| 2" | 50 | 182 | 64 | 47,5 | 220 | 120 | 1/2" | 40 | - | - | 310130C63810 |
| 2"1/2 | 65 | 196 | 77,5 | 60,2 | 285 | 130 | 1/2" | 40 | - | - | 310130C64410 |
| 3" | 80 | 256 | 91 | 72,6 | 310 | 145 | 1/2" | 40 | - | 310130C44810 | 310130C64810 |
| 4" | 100 | 286 | 119 | 97,6 | 310 | 160 | 1/2" | 16 | - | 310130C45410 | 310130C65410 |



| POS. | DENOMINATION | PCS | MAT. |
|------|---------------|-----|-------------------------|
| 1 | Body | 1 | AISI 304L - 316L |
| 2 | Ball | 1 | AISI 304L - 316L |
| 3 | Sleeves | 3 | AISI 304L - 316L |
| 4 | Stem | 1 | AISI 304L - 316L |
| 5 | Ball Seals | 4 | PTFE Vergine Modificato |
| 6 | Sleeve Seals | 3 | PTFE |
| 7 | Stem Seal | 1 | PTFE |
| 8 | Stem Seal | 1 | PTFE |
| 9 | Stem or-Seal | 1 | FKM |
| 10 | Register ring | 1 | AISI 304L (303) |
| 11 | Nut | 1 | AISI 304L |
| 12 | Lever | 1 | AISI 304L |
| 13 | SCREW | 1 | AISI 304L |
| 14 | Handle | 1 | DUROPLAST (PF) |

