

310130 L FOR ISO PIPE



THREE-way ball valve 4 seals with "L" port

Drive: Inox lever

Connection: **CLAMP normative DIN 32676 TAB.3 REIHE B**
For TUBE according to normative ISO 1127

Flow: Full and reduced

Material: Aisi 316L (1.4404)

Measure: from DN10 to DN100

Seals: Modified Virgin P.T.F.E.

Operating temperature: -20°C +170°C

Outer finish: Polished

On request:

Antistatic device ATEX:

II 2G Ex h IIC T4 Gb

II 2D Ex h IIIC T135°C Db

M.O.C.A. CE 1935/2004

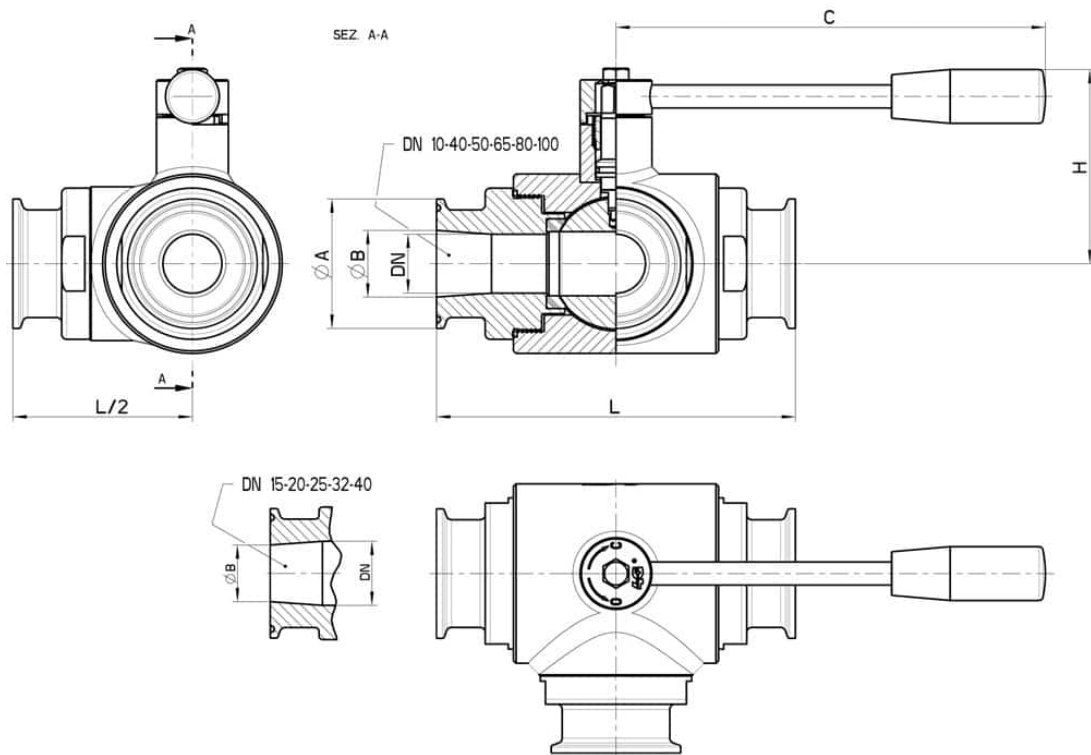
• Seals made of:

PTFE with glass -20°C+170°C

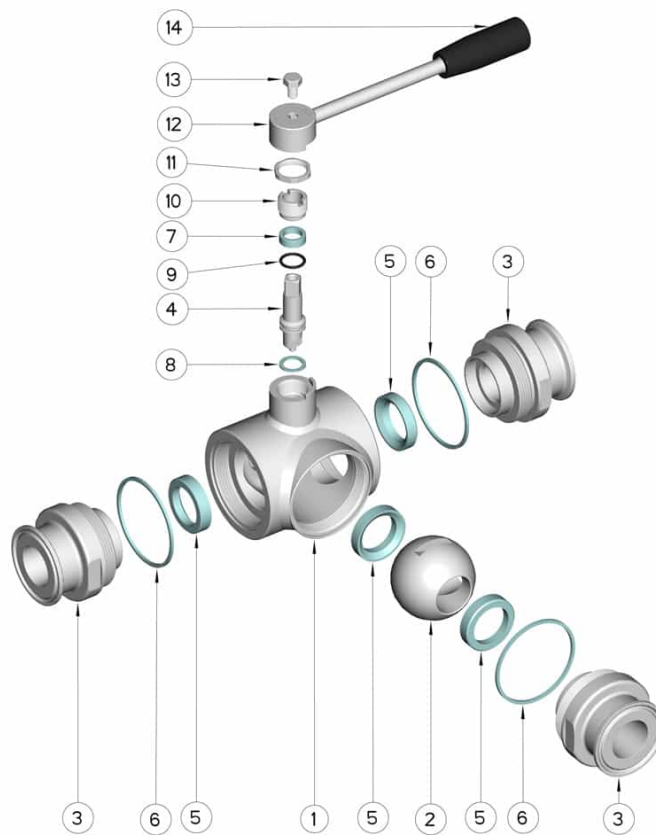
PTFE with carbographite -20°C+180°C

PTFE with inox -20°C+200°C

UHMW High-molecular weight polyethylene -20°C+80°C



CLAMP REIHE B OD	DN	L	Ø A	Ø B	C	H	PN	Kg	CODE AISI 316L
13,5	10	108	25	10,3	110	60	100	1,08	310130 61110
17,2	15	118	25	14	110	65	100	1,30	310130 61710
21,3	20	130	50,5	18,1	160	70	100	2,45	310130 62310
26,9	25	140	50,5	23,7	160	80	64	3,13	310130 62510
33,7	32	156	50,5	29,7	190	95	64	4,90	310130 63110
42,4	40	172	64	38,4	190	110	64	7,26	310130 63310
48,3	40	172	64	44,3	190	110	64	7,26	310130 63710
60,3	50	182	77,5	56,3	220	110	40	8,60	310130 64110
76,1	65 *	196	91	72,1	285	130	40	10,70	310130 64710
88,9	80 *	256	106	84,3	310	145	40	22,11	310130 65110
114,3	100 *	286	130	109,7	310	160	16	34,97	310130 65310



POS.	Denomination	PCS	MAT.
1	Body	1	AISI 304L - 316L
2	Ball	1	AISI 304L - 316L
3	Sleeves	3	AISI 304L - 316L
4	Stem	1	AISI 304L - 316L
5	Ball Seals	4	PTFE Vergine Modificato
6	Sleeve Seals	3	PTFE
7	Stem Seal	1	PTFE
8	Stem Seal	1	PTFE
9	Stem or-Seal	1	FKM
10	Register ring	1	AISI 304L (303)
11	Nut	1	AISI 304L
12	Lever	1	AISI 304L
13	SCREW	1	AISI 304L
14	Handle	1	DUROPLAST (PF)

