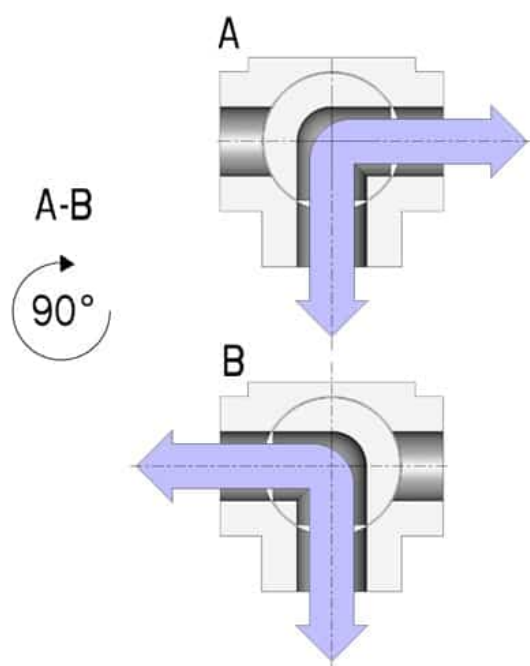
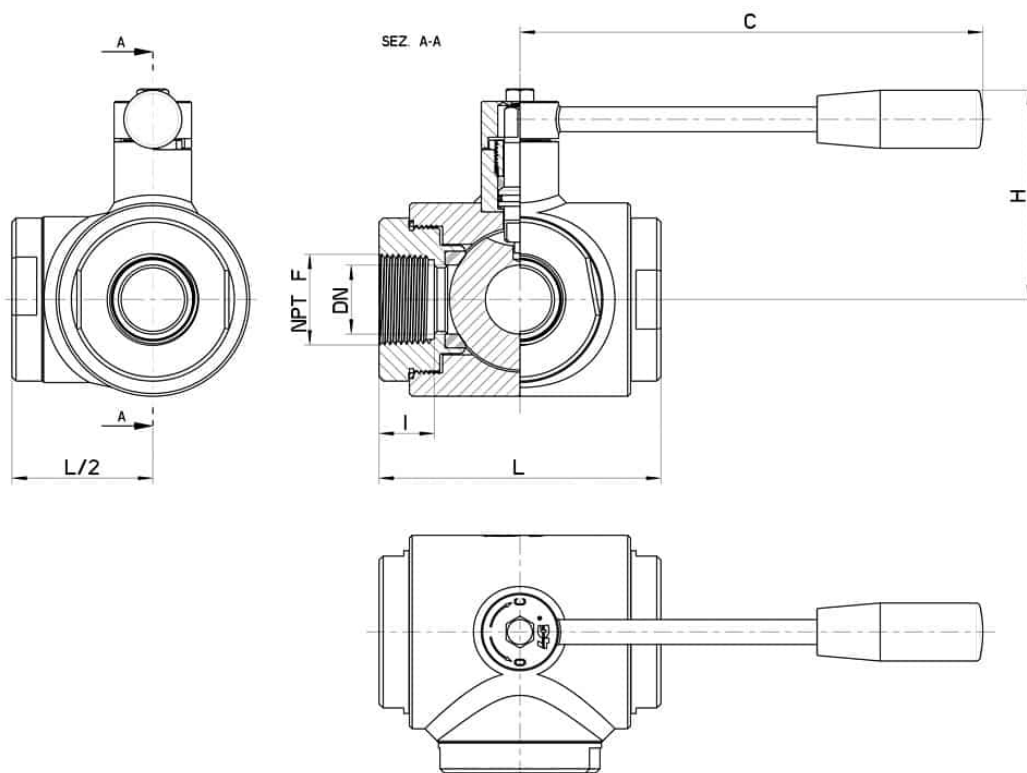


310104_L_4 SEALS STANDARD SEALS - F NPT

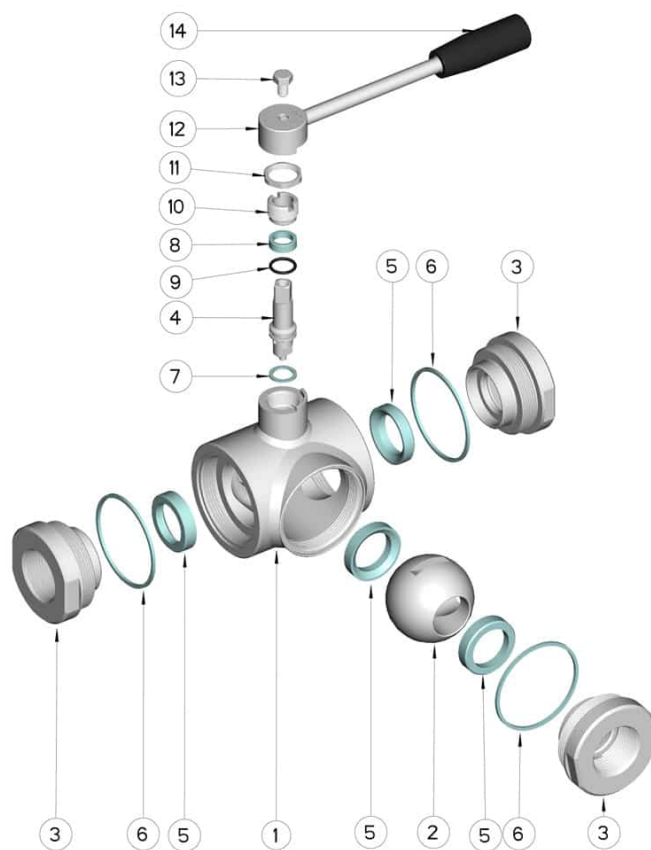


THREE-way ball valve 4 seals with "L"
Drive: Inox lever
Connection: NPT female/female/female thread
Flow: Full
Material: Aisi 316L (1.4404)
Measure: from 1/4" to 4"
Seals: Modified Virgin P.T.F.E.
Operating temperature: -20°C+170°C
Outer finish: Polished

On request:
Antistatic device ATEX:
II 2G Ex h IIC T4 Gb
II 2D Ex h IIIC T135°C Db
M.O.C.A. CE 1935/2004
• Seals made of:
PTFE with glass -20°C+170°C
PTFE with carbographite -20°C+180°C
PTFE with inox -20°C+200°C
UHMW High-molecular weight polyethylene -20°C+80°C



NPT F	DN	L	I	C	H	PN	Kg	CODE AISI 316L
1/4"	12	72	14	110	60	100	0,94	310104 60410
3/8"	12	72	16	110	60	100	0,93	310104 60810
1/2"	15	82	18	110	65	100	1,22	310104 61410
3/4"	20	92	19	160	70	100	1,90	310104 62010
1"	25	102	20	160	80	64	2,54	310104 62610
1"1/4	32	118	20	190	95	64	4,50	310104 63010
1"1/2	40	134	20	190	110	64	6,80	310104 63410
2"	50	144	20	220	120	40	8,20	310104 63810
2"1/2 *	65	160	26	285	130	40	10,15	310104 64410
3" *	80	200	28	310	145	40	20,95	310104 64810
4" *	100	240	32	310	160	16	33,82	310104 65410



POS.	Denomination	PCS	MAT.
1	Body	1	AISI 316L
2	Ball	1	AISI 316L
3	Sleeves	3	AISI 316L
4	Stem	1	AISI 316L
5	Ball Seals	4	PTFE Vergine Modificato
6	Sleeve Seals	3	PTFE
7	Stem Seal	1	PTFE
8	Stem Seal	1	PTFE
9	Stem or-Seal	1	FKM
10	Register ring	1	AISI 304L (303)
11	Nut	1	AISI 304L
12	Lever	1	AISI 304L
13	SCREW	1	AISI 304L
14	Handle	1	DUROPLAST (PF)

