

310101_L_4 SEALS STANDARD SEALS - ISO 228 F



THREE-way ball valve 4 seals with "L" port
Drive: Inox lever
Connection: ISO 228 female/female/female thread
Flow: Full
Material: Aisi 304L (1.4307) - Aisi 316L (1.4404)
Measure: from 1/4" to 4"
Seals: Modified Virgin P.T.F.E.
Operating temperature: -20°C+170°C
Outer finish: Polished

On request:

Antistatic device ATEX:

II 2G Ex h IIC T4 Gb

II 2D Ex h IIIC T135°C Db

M.O.C.A. CE 1935/2004

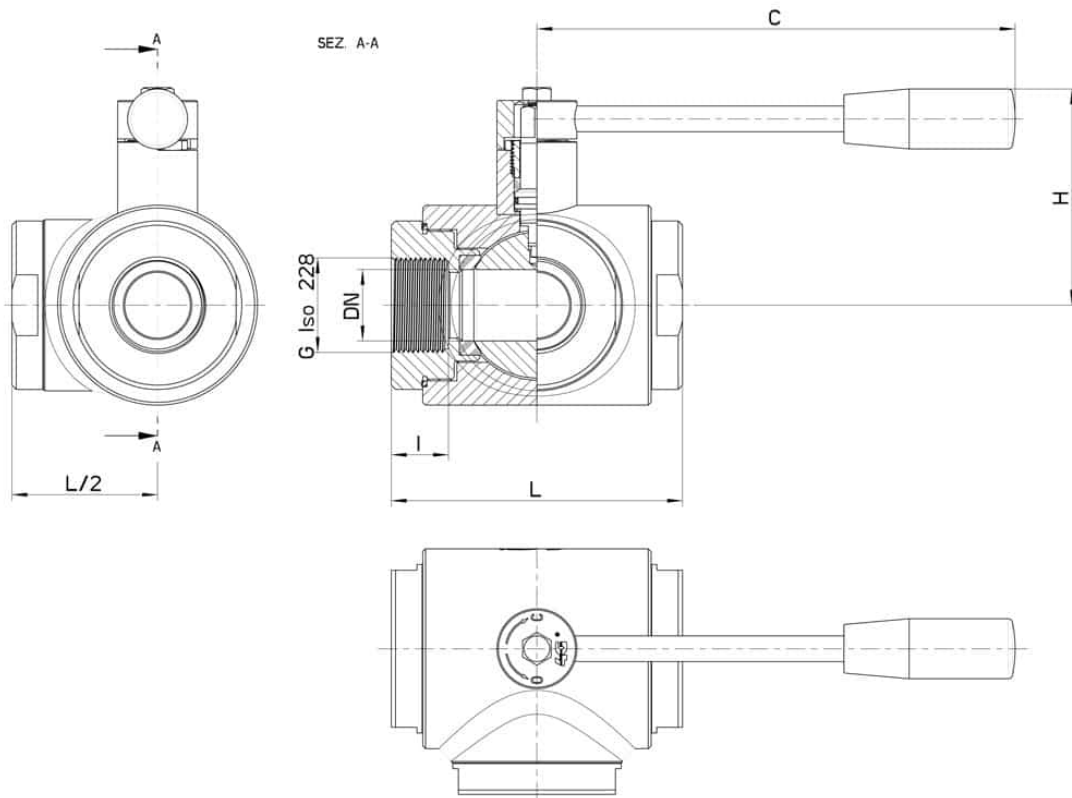
• Seals made of:

PTFE with glass -20°C+170°C

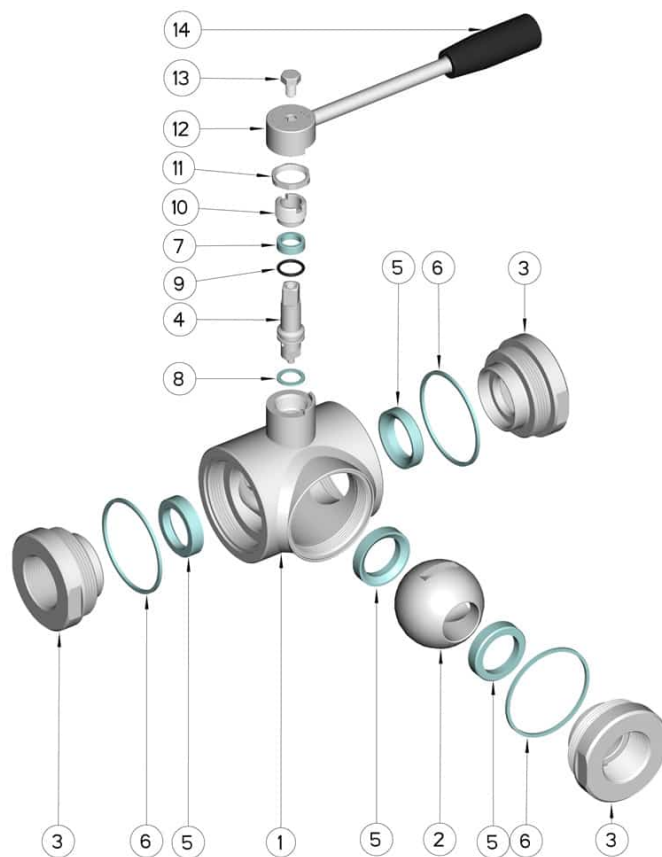
PTFE with carbographite -20°C+180°C

PTFE with inox -20°C+200°C

UHMW High-molecular weight polyethylene -20°C+80°C



G	DN	L	I	C	H	PN	Kg	CODE AISI 304L	CODE AISI 316L
1/4"	12	72	16	110	60	100	0,94	-	310101 60410
3/8"	12	72	16	110	60	100	0,93	-	310101 60810
1/2"	15	82	18	110	65	100	1,22	-	310101 61410
3/4"	20	92	19	160	70	100	1,90	-	310101 62010
1"	25	102	20	160	80	64	2,54	-	310101 62610
1"1/4	32	118	20	190	95	64	4,50	-	310101 63010
1"1/2	40	134	20	190	110	64	6,80	-	310101 63410
2"	50	144	20	220	120	40	8,20	-	310101 63810
2"1/2	65	160	22	285	130	40	10,15	-	310101 64410
3"	80	200	26	310	145	40	20,95	310101 44810	310101 64810
4"	100	240	26	310	160	16	33,82	310101 45410	310101 65410



POS.	Denomination	PCS	MAT.
1	Body	1	AISI 304L - 316L
2	Ball	1	AISI 304L - 316L
3	Sleeves	3	AISI 304L - 316L
4	Stem	1	AISI 304L - 316L
5	Ball Seals	4	PTFE Vergine Modificato
6	Sleeve Seals	3	PTFE
7	Stem Seal	1	PTFE
8	Stem Seal	1	PTFE
9	Stem or-Seal	1	FKM
10	Register ring	1	AISI 304L (303)
11	Nut	1	AISI 304L
12	Lever	1	AISI 304L
13	SCREW	1	AISI 304L
14	Handle	1	DUROPLAST (PF)

