

303060_T_4 SEALS STANDARD SEALS - VICTAULIC



THREE-way ball valve 4 seals with "T"
Drive: ISO 5211 - DIN 3337 flange for actuator
Connection: VICTAULIC
Flow: Full
Material: Aisi 304L (1.4307) - Aisi 316L (1.4404)
Measure: from DN20 to DN100
Seals: Modified Virgin P.T.F.E.
Operating temperature: -20°C +170°C
Outer finish: Sandblasted

On request:

Antistatic device ATEX:

II 2G Ex h IIC T4 Gb

II 2D Ex h IIIC T135°C Db

M.O.C.A. CE 1935/2004

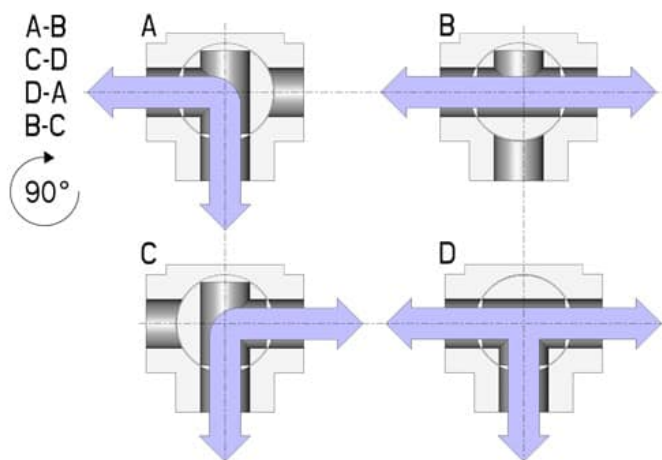
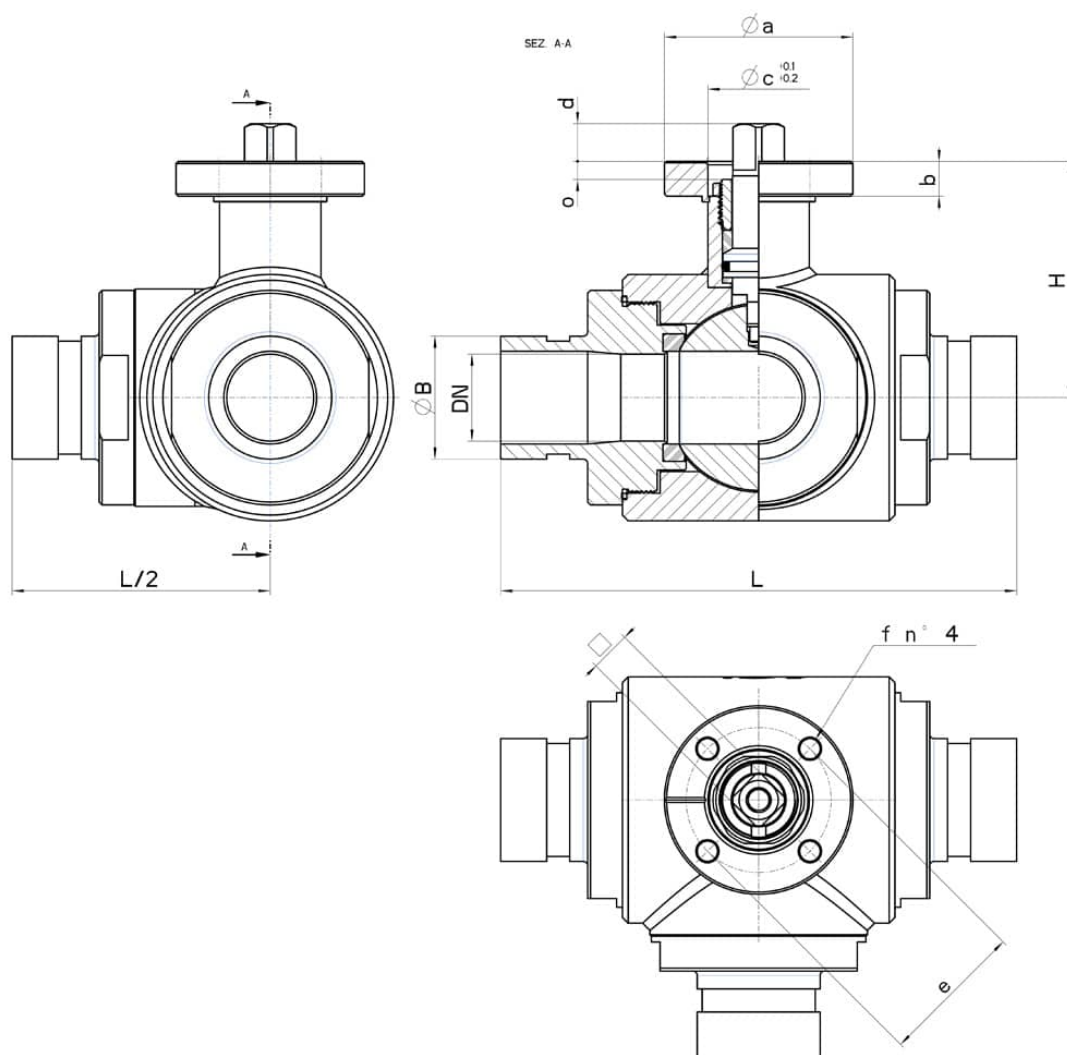
• Seals made of:

PTFE with glass -20°C+170°C

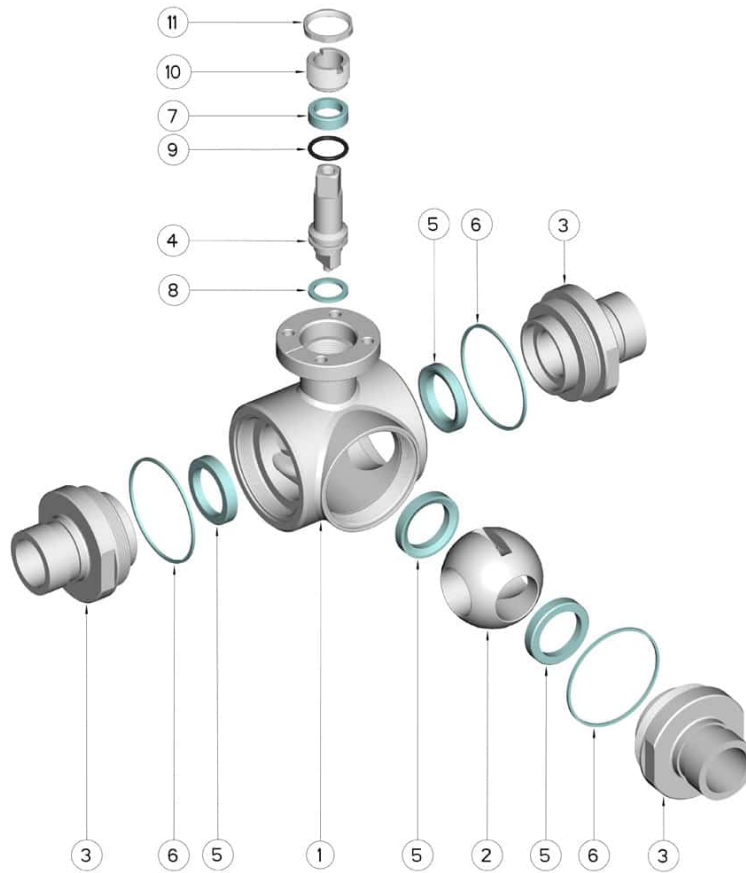
PTFE with carbographite -20°C+180°C

PTFE with inox -20°C+200°C

UHMW High-molecular weight polyethylene -20°C+80°C



VICTAULIC	DN	L	Ø B	H	PN	Kg	ISO-DIN	Ø a	b	Ø c x o	□	d	e	f	Bolts	Nm	CODE AISI 304L	CODE AISI 316L
3/4" x 26,9	20	152	26,9	56,5	100	-	F.04	54	9	30x3	11	10	42	6	M5x16	23	-	303060 62010
3/4" x 26,9	20	152	26,9	56,5	100	-	F.05	65	9	35x3	14	13	50	7	M6x16	23	-	303060 6201F
1" x 33,7	25	162	33,7	61	64	-	F.04	54	9	30x3	11	10	42	6	M5x16	25	-	303060 62610
1" x 33,7	25	162	33,7	61	64	-	F.05	65	12	35x3	14	13	50	7	M6x16	25	-	303060 6261F
1"1/4 x 42,4	32	178	42,4	81,5	64	-	F.05	65	12	35x4	14	13	50	7	M6x20	33	-	303060 63010
1"1/4 x 42,4	32	178	42,4	81,5	64	-	F.07	90	12	55x4	17	15	70	9	M8x20	33	-	303060 6301F
1"1/2 x 48,3	40	194	48,3	89	64	-	F.05	65	12	35x4	14	13	50	7	M6x20	40	-	303060 63410
1"1/2 x 48,3	40	194	48,3	89	64	-	F.07	90	12	55x4	17	15	70	9	M8x20	40	-	303060 6341F
2" x 60,3	50	204	60,3	91,5	40	-	F.07	90	12	55x4	17	15	70	9	M8x20	50	-	303060 63810
2" x 60,3	50	204	60,3	91,5	40	-	F.10	125	12	70x4	22	18	102	11	M10x25	50	-	303060 6381F
2"1/2 x 73	65	214	73	101,5	40	-	F.07	90	12	55x4	17	15	70	9	M8x20	60	-	303060 64410
2"1/2 x 73	65	214	73	101,5	40	-	F.10	125	12	70x4	22	18	102	11	M10x25	60	-	303060 6441F
2"1/2 x 76,1	65	214	76,1	101,5	40	-	F.07	90	12	55x4	17	15	70	9	M8x20	60	-	303060 64510
2"1/2 x 76,1	65	214	76,1	101,5	40	-	F.10	125	12	70x4	22	18	102	11	M10x25	60	-	303060 6451F
3" x 88,9	80	266	88,9	116	40	-	F.07	90	12	55x4	17	15	70	9	M8x20	110	303060 44810	303060 64810
3" x 88,9	80	266	88,9	116	40	-	F.10	125	12	70x4	22	18	102	11	M10x25	110	303060 4481F	303060 6481F
4" x 114,3	100	302	114,3	131	16	-	F.07	90	12	55x4	17	15	70	9	M8x20	130	303060 45410	303060 65410
4" x 114,3	100	302	114,3	131	16	-	F.10	125	12	70x4	22	18	102	11	M10x25	130	303060 4541F	303060 6541F



POS.	Denomination	PCS	MAT.
1	Body	1	AISI 304L - 316L
2	Ball	1	AISI 304L - 316L
3	Sleeves	3	AISI 304L - 316L
4	Stem	1	AISI 304L - 316L
5	Ball Seals	4	PTFE
6	Sleeve Seals	3	PTFE
7	Stem Seal	1	PTFE
8	Stem Seal	1	PTFE
9	Stem or-Seal	1	FKM
10	Register ring	1	AISI 304L (303)
11	Locknut	1	AISI 303

