

303056_T_STANDARD SEALS - REVOLVING THREADED FLANGES EN 1759-1 CLASS 300



THREE-way ball valve 4 seals with "T" port

Drive: ISO 5211 - DIN 3337 flange for actuator

Connection: Revolving threaded flanges EN 1759-1 CLASS 300 (exANSI 300)

Flow: Full

Material: Aisi 316L (1.4404)

Measure: from 1/2" to 4"

Seals: Modified Virgin P.T.F.E.

Operating temperature: -20°C+170°C

Outer finish: Polished

On request:

Antistatic device ATEX:

II 2G Ex h IIC T4 Gb

II 2D Ex h IIIC T135°C Db

M.O.C.A. CE 1935/2004

• Seals made of:

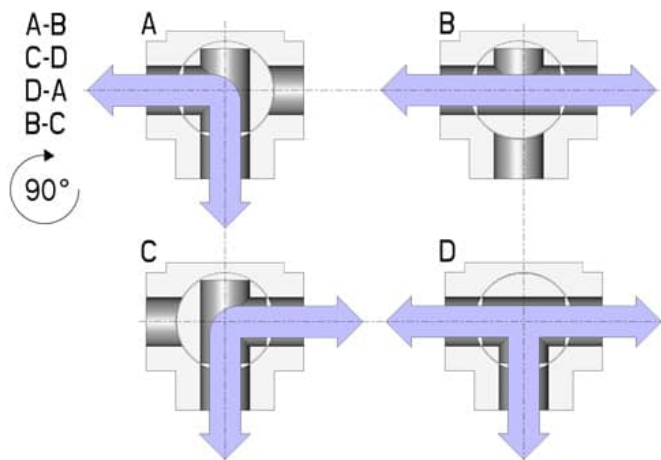
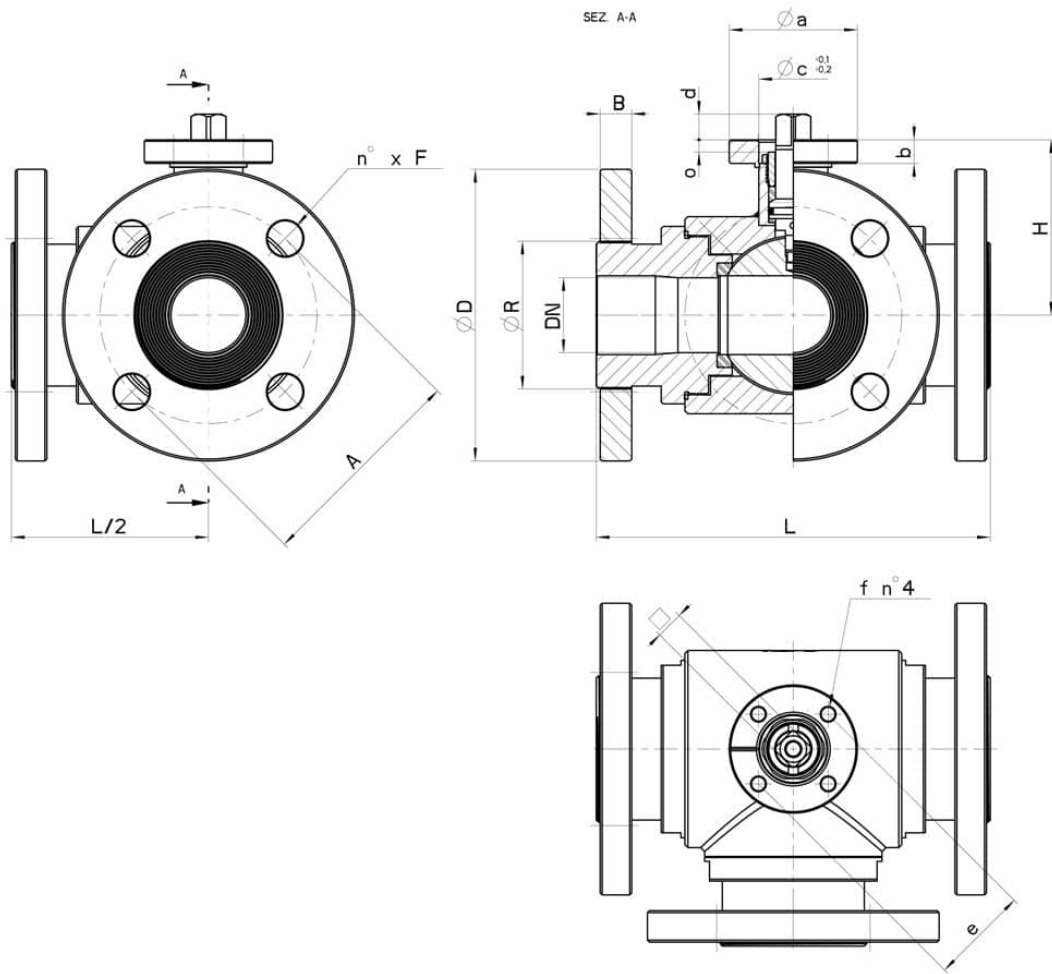
PTFE with glass -20°C+170°C



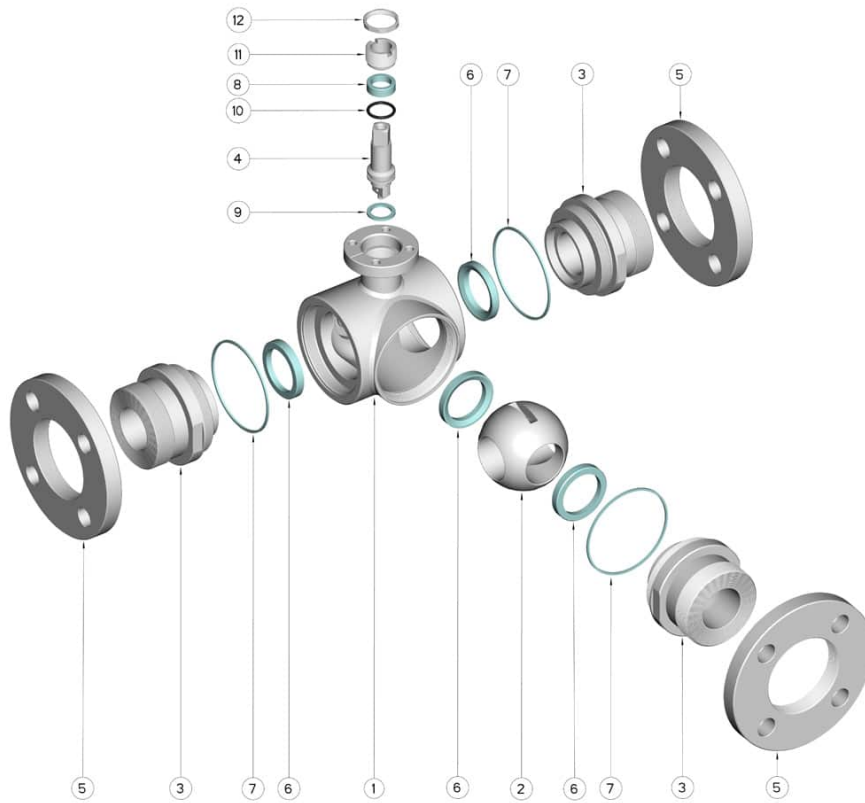
PTFE with carbographite -20°C+180°C

PTFE with inox -20°C+200°C

UHMW High-molecular weight polyethylene -20°C+80°C



DN	DN	L	H	Ø D	B	Ø R	A	n° x F	Kg	ISO-DIN	Ø a	b	Ø c x o	□	d	e	f	n° 4 Bolts	Nm	COD. AISI 316L
1/2"	15	130	49	95,2	12,7	34	66,7	4 x 16	-	F.03	46	9	25x3	9	8	36	6	M5x16	12	303056 61410
1/2"	15	130	49	95,2	12,7	34	66,7	4 x 16	-	F.04	54	9	30x3	11	10	42	6	M5x16	12	303056 6141F
3/4"	20	150	56,5	117,5	14,5	42	82,5	4 x 19	-	F.04	54	9	30x3	11	10	42	6	M5x16	23	303056 62010
3/4"	20	150	56,5	117,5	14,5	42	82,5	4 x 19	-	F.05	65	9	35x3	14	13	50	7	M6x16	23	303056 6201F
1"	25	160	61	123,8	16	51	88,9	4 x 19	-	F.04	54	9	30x3	11	10	42	6	M5x16	25	303056 62610
1"	25	160	61	123,8	16	51	88,9	4 x 19	-	F.05	65	9	35x3	14	13	50	7	M6x16	25	303056 6261F
1"1/4	32	180	81,5	133	17,4	63	98,4	4 x 19	-	F.05	65	9	35x4	14	13	50	7	M6x20	33	303056 63010
1"1/4	32	180	81,5	133	17,4	63	98,4	4 x 19	-	F.07	90	12	55x4	17	15	70	9	M8x20	33	303056 6301F
1"1/2	40	200	89	155,6	21	75	114,3	4 x 22	-	F.05	65	9	35x4	14	13	50	7	M6x20	40	303056 63410
1"1/2	40	200	89	155,6	21	75	114,3	4 x 22	-	F.07	90	12	55x4	17	15	70	9	M8x20	40	303056 6341F
2"	50	230	91,5	165,1	24	110	127	8 x 19	-	F.07	90	12	55x4	17	15	70	9	M8x20	50	303056 63810
2"	50	230	91,5	165,1	24	110	127	8 x 19	-	F.10	120	12	70x4	22	18	102	11	M10x25	50	303056 6381F
2"1/2	65	290	101,5	190,5	27	110	149,2	8 x 22,2	-	F.07	90	12	55x4	17	15	70	9	M8x20	60	303056 64410
2"1/2	65	290	101,5	190,5	27	110	149,2	8 x 22,2	-	F.10	125	12	70x4	22	18	10	11	M10x25	60	303056 6441F
3"	80	310	116	210	27	120	168,3	8 x 22,2	-	F.07	90	12	55x4	17	15	70	9	M8x20	110	303056 64810
3"	80	310	116	210	27	120	168,3	8 x 22,2	-	F.10	120	12	70x4	22	18	10	11	M10x25	110	303056 6481F
4"	100	350	131	254	30,2	140	200	8 x 22,2	-	F.07	90	12	55x4	17	15	70	9	M8x20	130	303056 65410
4"	100	350	131	254	30,2	140	200	8 x 22,2	-	F.10	125	12	70x4	22	18	102	11	M10x25	130	303056 6541F



POS.	Denomination	PCS	MAT.
1	Body	1	AISI 316L
2	Ball	1	AISI 316L
3	Sleeves	3	AISI 316L
4	Stem	1	AISI 316L
5	Flanges	3	AISI 304L - 316L
6	Ball Seals	4	PTFE Vergine Modificato
7	Sleeve Seals	3	PTFE
8	Stem Seal	1	PTFE
9	Stem Seal	1	PTFE
10	Stem or-Seal	1	FKM
11	Register ring	1	AISI 304L (303)
12	Locknut	1	AISI 303

