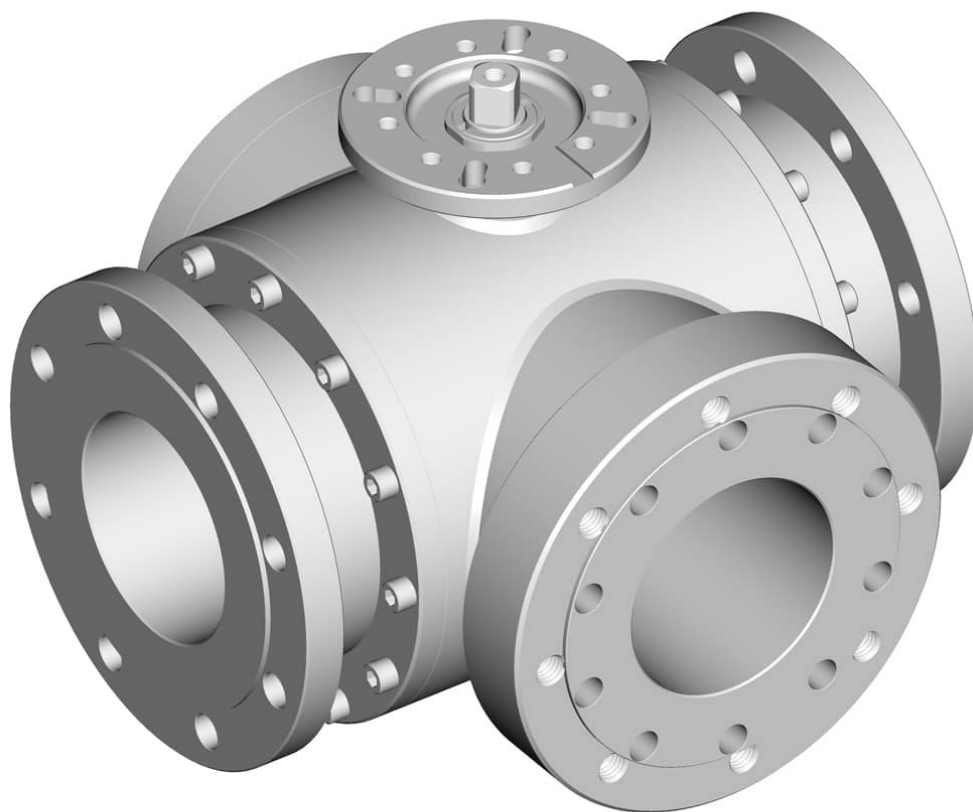
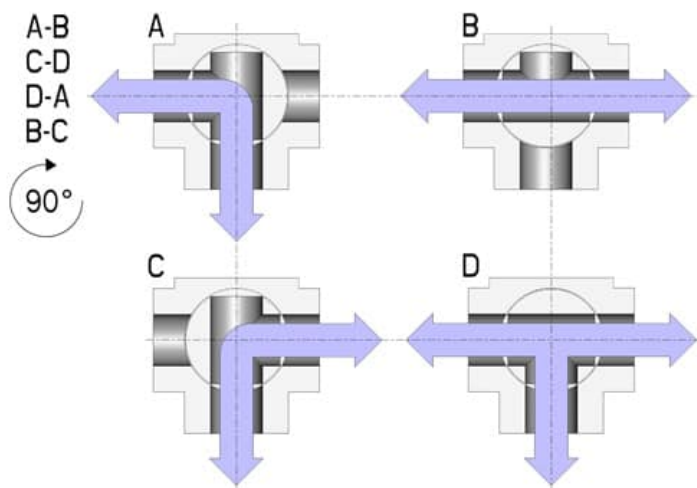
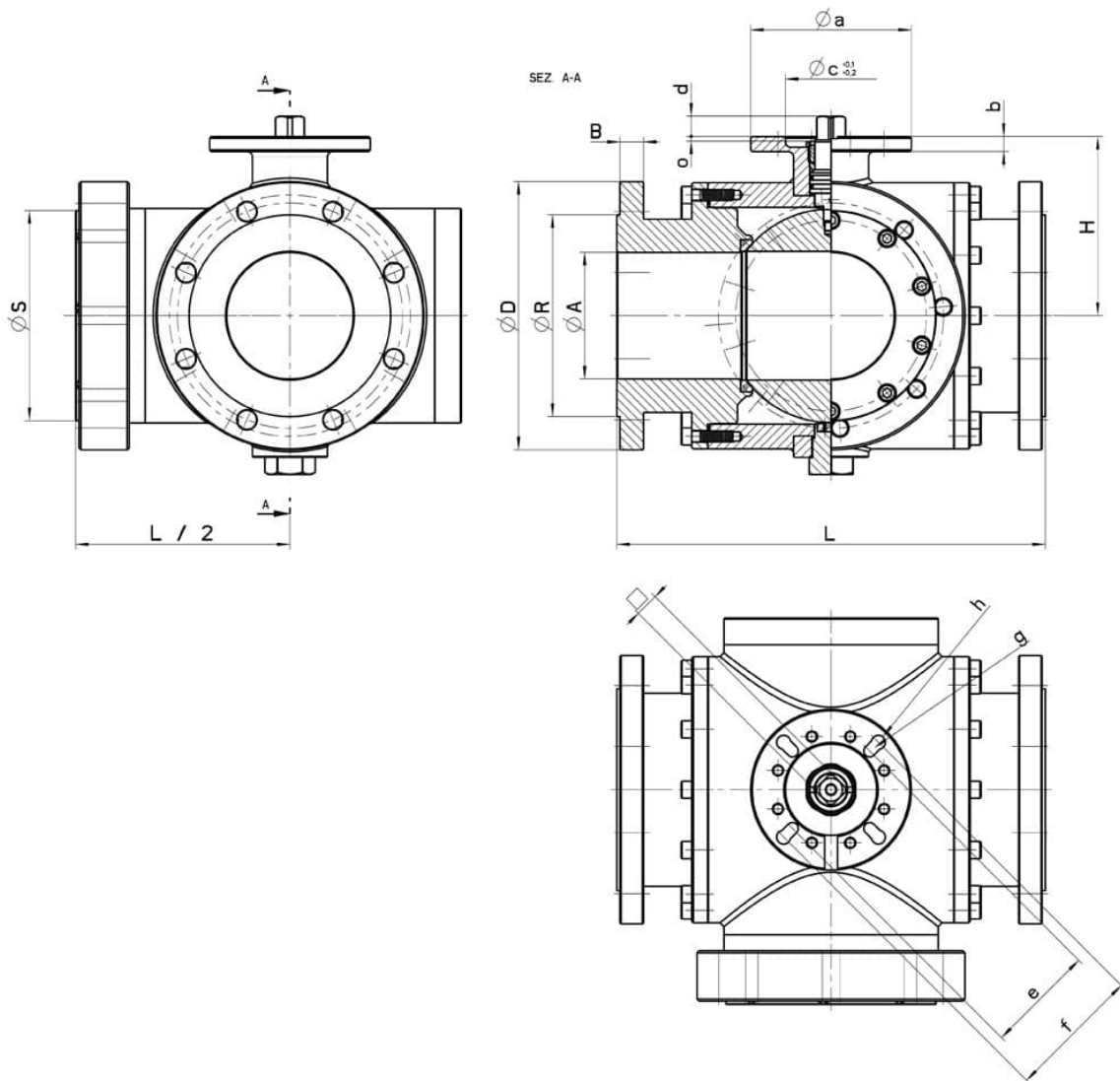


303050_T_DN125 STANDARD SEALS_FLANGES UNI EN 1092-1

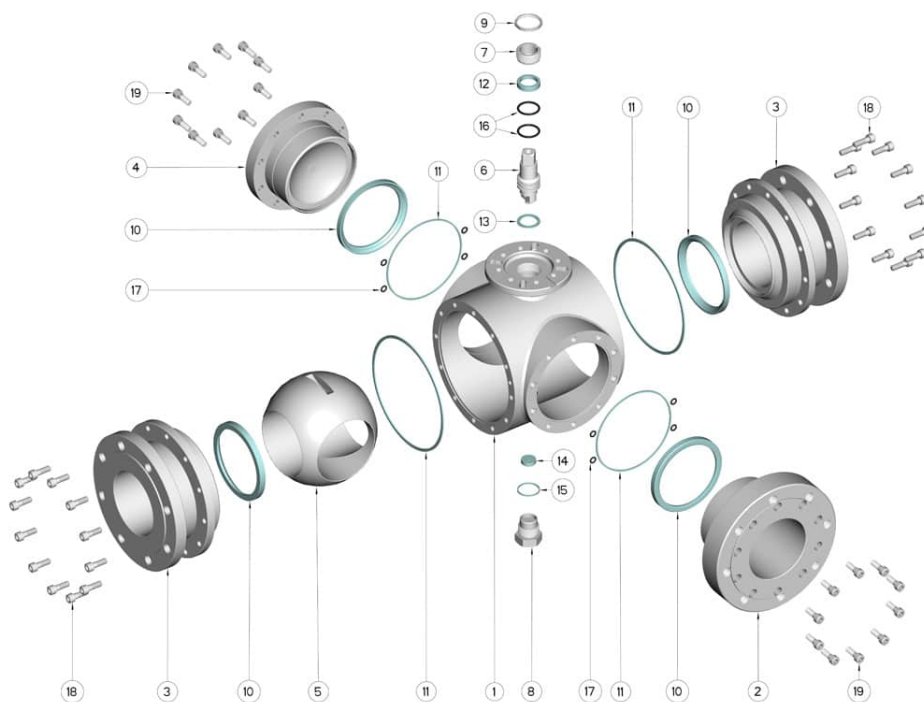


THREE-way ball valve 4 seals with "T" port
Drive: ISO 5211 - DIN 3337 flange for actuator / Sliding lever / Lever
Connection: Revolving threaded flanges and not UNI EN 1092-1:2003
Flow: Full
Material: Aisi 304L - 316L
Measure: 5"
Seals: Virgin P.T.F.E.
Operating temperature: -20°C+160°C
Outer finish: Polished
Antistatic device ATEX:
II 2G Ex h IIC T4 Gb
II 2D Ex h IIIC T135°C Db

On request:
M.O.C.A. CE 1935/2004



DN	Ø A	L	Ø D	B	Ø R	Ø S	PN	Kg.	ISO	Ø a	b	Ø c x o	□	d	e	f	Ø g x n ⁴	Ø h x n ⁴	Nm	CODE AISI 304L	CODE AISI 316L
125	120	400	250	22	188	196	16	102,950	F10 / F12	150	14	85 x 4	22	19	102	125	11	13	180	303050A45810	303050A65810



POS.	DENOMINATION	PCS	MAT.
1	Body	1	AISI 316L
2	Manicotto centrale	1	AISI 316L
3	Manicotto laterale	2	AISI 316L
4	Manicotto tappo	1	AISI 316L
5	Ball	1	AISI 316L
6	Stem	1	AISI 316L
7	Register ring	1	AISI 304L
8	Locknut	1	AISI 303L
9	Reggispinta	1	AISI 316L
10	Ball Seals	4	PTFE
11	Sleeve Seal	4	PTFE
12	Guarnizione asta	1	PTFE
13	Guarnizioni asta	1	PTFE
14	Thrust Seal	1	PTFE
15	Thrust Seal	1	PTFE
16	O-Ring asta	2	FKM
17	O-Ring Sleeve	8	FKM
18	Sleeve screw	24	AISI 304L
19	Sleeve screw	20	AISI 304L

