



THREE-way ball valve 4 seals with "T" port
Drive: ISO 5211 - DIN 3337 flange for actuator
Connection: Butt-welding in according to DIN 11850
Flow: Full
Material: Aisi 316L (1.4404)
Measure: DN10 a DN100
Seals: Modified Virgin P.T.F.E.
Operating temperature: -20°C+170°C
Outer finish: Polished

On request:

Antistatic device ATEX:

II 2G Ex h IIC T4 Gb

II 2D Ex h IIC T135°C Db

M.O.C.A. CE 1935/2004

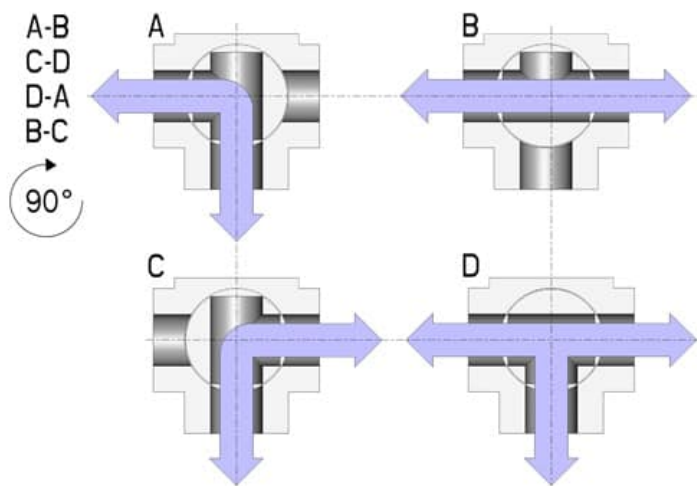
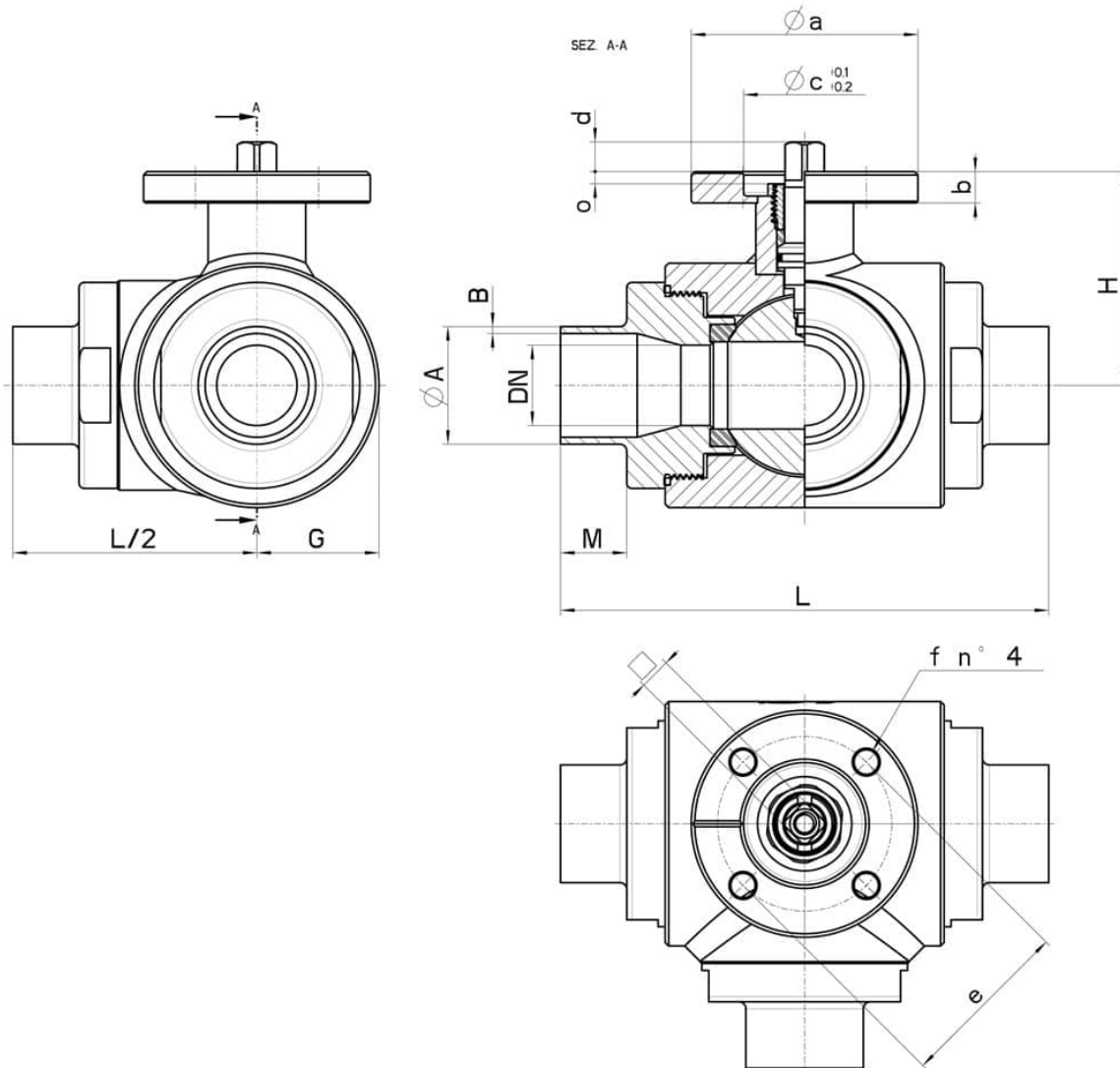
• Seals made of:

PTFE with glass -20°C+170°C

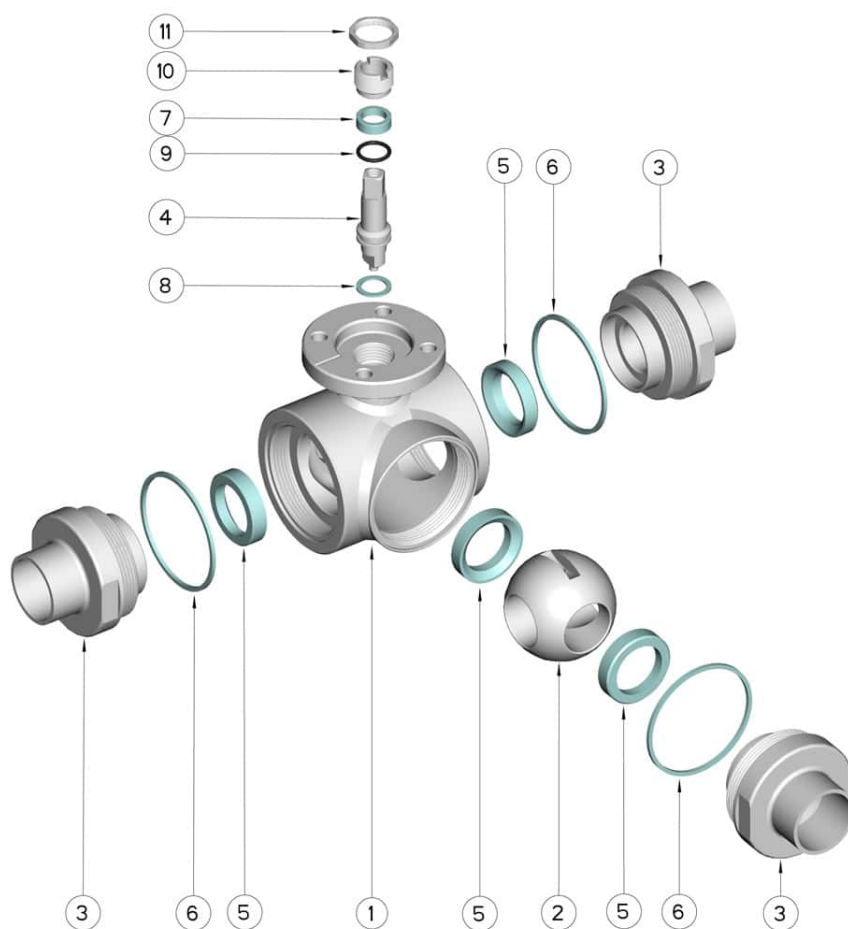
PTFE with carbographite -20°C+180°C

PTFE with inox -20°C+200°C

UHMW High-molecular weight polyethylene -20°C+80°C



DN	Ø A x B	M	L	G	H	PN	Kg	ISO-DIN	Ø a	b	Ø c x o	□	d	e	f	n° 4 Bolts	Nm	COD. AISI 316L
10	13 x 1,5	17	108	22,5	46,5	100	-	F.03	46	9	25x3	9	8	36	6	M5x16	10	303042 6B110
10	13 x 1,5	17	108	22,5	46,5	100	-	F.04	54	9	30x3	11	10	42	6	M6x16	10	303042 6B11F
15	19 x 1,5	18	118	26	49	100	-	F.03	46	9	25x3	9	8	36	6	M5x16	12	303042 6B810
15	19 x 1,5	18	118	26	46,5	100	-	F.04	54	9	30x3	11	10	42	6	M5x16	12	303042 6B81F
20	23 x 1,5	19	130	30	56,5	100	-	F.04	54	9	30x3	11	10	42	6	M5x16	23	303042 6C510
20	23 x 1,5	19	130	30	56,5	100	-	F.05	65	9	35x3	14	13	50	7	M6x16	23	303042 6C51F
25	29 x 1,5	19	140	35	61	64	-	F.04	54	9	30x3	11	10	42	6	M5x16	25	303042 6F510
25	29 x 1,5	19	140	35	61	64	-	F.05	65	12	35x3	14	13	50	7	M6x16	25	303042 6F51F
32	35 x 1,5	19	156	42,5	81,5	64	-	F.05	65	12	35x4	14	13	50	7	M6x20	33	303042 6J510
32	35 x 1,5	19	156	42,5	81,5	64	-	F.07	90	12	55x4	17	15	70	9	M8x20	33	303042 6J51F
40	41 x 1,5	19	172	50	89	64	-	F.05	65	12	35x4	14	13	50	7	M6x20	40	303042 6K910
40	41 x 1,5	19	172	50	89	64	-	F.07	90	12	55x4	17	15	70	9	M8x20	40	303042 6K91F
50	53 x 1,5	19	182	55	91,5	40	-	F.07	90	12	55x4	17	15	70	9	M8x20	50	303042 6N910
50	53 x 1,5	19	182	55	91,5	40	-	F.10	120	12	70x4	22	18	102	11	M10x25	50	303042 6N91F
65	70 x 2	21	196	80	101,5	40	-	F.07	90	12	55x4	17	15	70	9	M8x20	60	303042 6S610
65	70 x 2	21	196	80	101,5	40	-	F.10	120	12	70x4	22	18	102	11	M10x25	60	303042 6S61F
80	85 x 2	27	256	100	116	40	-	F.07	90	12	55x4	17	15	70	9	M8x20	110	303042 6W410
80	85 x 2	27	256	100	116	40	-	F.10	120	12	70x4	22	18	102	11	M10x25	110	303042 6W41F
100	104 x 2	27	286	120	131	16	-	F.07	90	12	55x4	17	15	70	9	M8x20	130	303042 6X810
100	104 x 2	27	286	120	131	16	-	F.10	120	12	70x4	22	18	102	11	M10x25	130	303042 6X81F



POS.	Denom.	PCS	MAT.
1	Body	1	AISI 316L
2	Ball	1	AISI 316L
3	Sleeves	3	AISI 316L
4	Stem	1	AISI 316L
5	Ball Seals	4	PTFE Vergine Modificato
6	Sleeve Seals	3	PTFE
7	Stem Seal	1	PTFE
8	Stem Seal	1	PTFE
9	Stem or-Seal	1	FKM
10	Register ring	1	AISI 304L (303)
11	Locknut	1	AISI 303

