

303042_T_STANDARD SEALS_BUTT-WELDING IN ACCORDING TO BS-OD (ASTM A-270)



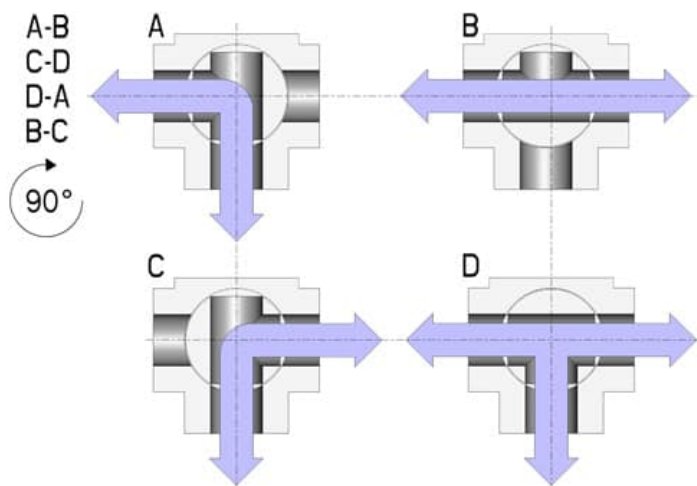
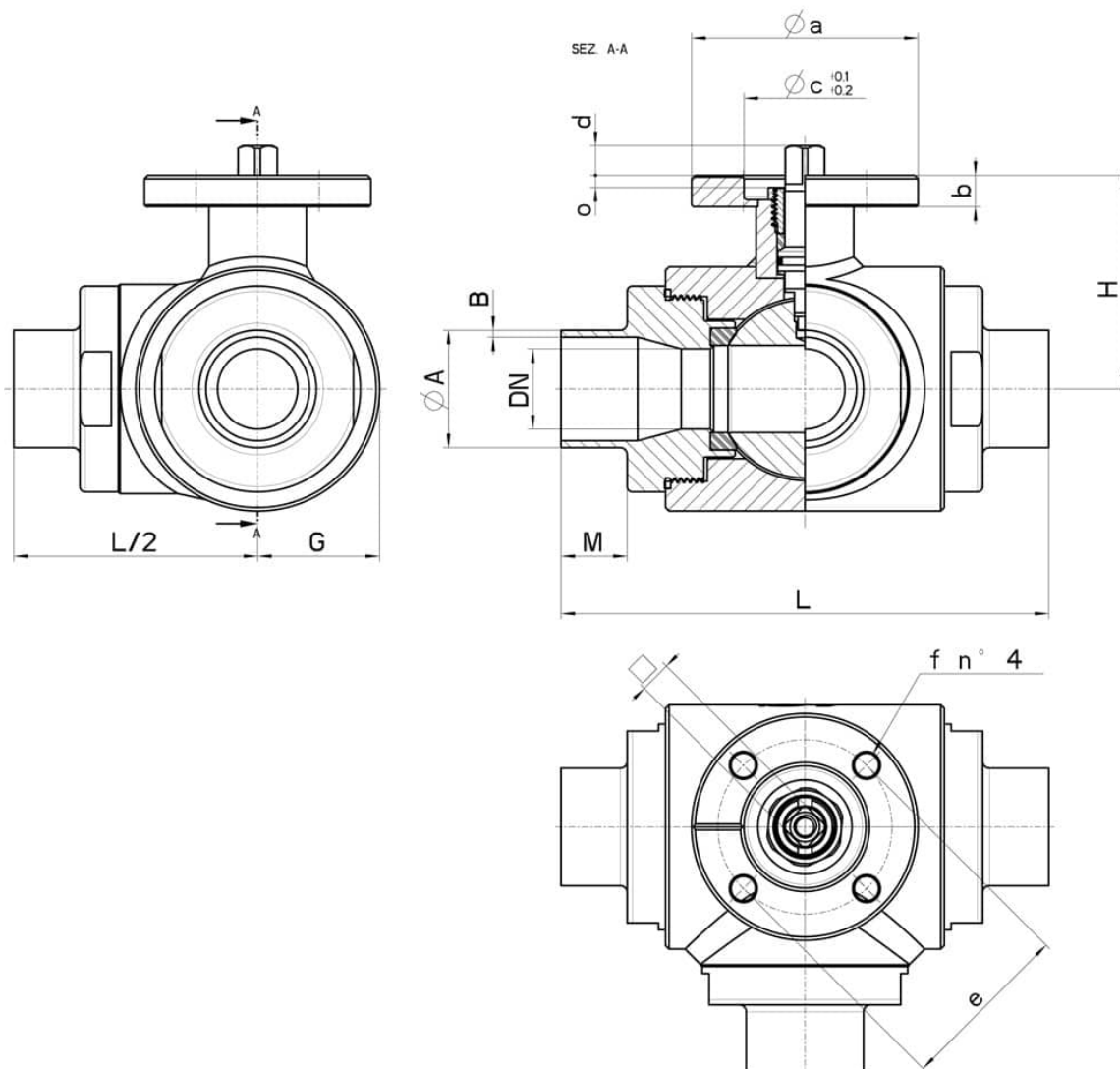
THREE-way ball valve 4 seals with "T" port
Drive: ISO 5211 - DIN 3337 flange for actuator
Connection: Butt-welding in according to BS-OD (ASTM A-270)
Flow: Full
Material: Aisi 316L (1.4404)
Measure: from DN10 to DN100
Seals: Modified Virgin P.T.F.E.
Operating temperature: -20°C+170°C
Outer finish: Polished

On request:

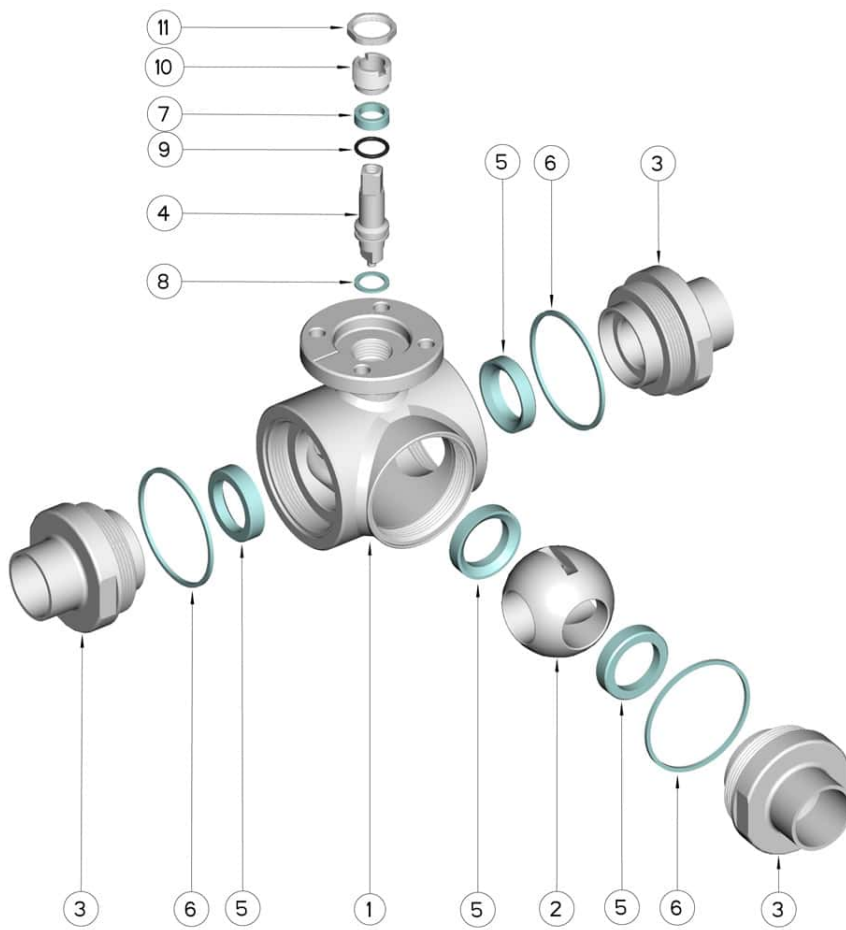
Antistatic device ATEX:
II 2G Ex h IIC T4 Gb
II 2D Ex h IIIC T135°C Db
M.O.C.A. CE 1935/2004

• Seals made of:

PTFE with glass -20°C+170°C
PTFE with carbographite -20°C+180°C
PTFE with inox -20°C+200°C
UHMW High-molecular weight polyethylene -20°C+80°C



DN	Ø A x B	M	L	G	H	PN	Kg	ISO-DIN	Ø a	b	Ø c x o	□	d	e	f	n° 4 BOLTS	Nm	COD. AISI 316L
10	12,7 x 1,65	17	108	22,5	46,5	100	-	F.03	46	9	25x3	9	8	36	6	M5x16	10	303042 6A710
10	12,7 x 1,65	17	108	22,5	46,5	100	-	F.04	54	9	30x3	11	10	42	6	M6x16	10	303042 6A71F
15	19,05 x 1,65	18	118	26	49	100	-	F.03	46	9	25x3	9	8	36	6	M5x16	12	303042 6B910
15	19,05 x 1,65	18	118	26	49	100	-	F.04	54	9	30x3	11	10	42	6	M5x16	12	303042 6B91F
20	25,4 x 1,65	19	130	30	56,5	100	-	F.04	54	9	30x3	11	10	42	6	M5x16	23	303042 6D710
20	25,4 x 1,65	19	130	30	56,5	100	-	F.05	65	9	35x3	14	13	50	7	M6x16	23	303042 6D71F
25	25,4 x 1,65	19	140	35	61	64	-	F.04	54	9	30x3	11	10	42	6	M5x16	25	303042 6D810
25	25,4 x 1,65	19	140	35	61	64	-	F.05	65	12	35x3	14	13	50	7	M6x16	25	303042 6D81F
32	38,1 x 1,65	19	156	42,5	81,5	64	-	F.05	65	12	35x4	14	13	50	7	M6x20	33	303042 6J910
32	38,1 x 1,65	19	156	42,5	81,5	64	-	F.07	90	12	55x4	17	15	70	9	M8x20	33	303042 6J91F
40	38,1 x 1,65	19	172	50	89	64	-	F.05	65	12	35x4	14	13	50	7	M6x20	40	303042 6K110
40	38,1 x 1,65	19	172	50	89	64	-	F.07	90	12	55x4	17	15	70	9	M8x20	40	303042 6K11F
50	50,8 x 1,65	19	182	55	91,5	40	-	F.07	90	12	55x4	17	15	70	9	M8x20	50	303042 6M810
50	50,8 x 1,65	19	182	55	91,5	40	-	F.10	120	12	70x4	22	18	102	11	M10x25	50	303042 6M81F
65	63,5 x 1,65	21	196	80	101,5	40	-	F.07	90	12	55x4	17	15	70	9	M8x20	60	303042 6R710
65	63,5 x 1,65	21	196	80	101,5	40	-	F.10	120	12	70x4	22	18	102	11	M10x25	60	303042 6R71F
80	76,1 x 2	27	256	100	116	40	-	F.07	90	12	55x4	17	15	70	9	M8x20	110	303042 6U710
80	76,1 x 2	27	256	100	116	40	-	F.10	120	12	70x4	22	18	102	11	M10x25	110	303042 6U71F
100	101,6 x 2,11	27	286	120	131	16	-	F.07	90	12	55x4	17	15	70	9	M8x20	130	303042 6X410
100	101,6 x 2,11	27	286	120	131	16	-	F.10	120	12	70x4	22	18	102	11	M10x25	130	303042 6X41F



POS.	Denom.	PCS	MAT.
1	Body	1	AISI 316L
2	Ball	1	AISI 316L
3	Sleeves	3	AISI 316L
4	Stem	1	AISI 316L
5	Ball Seals	4	PTFE Vergine Modificato
6	Sleeve Seals	3	PTFE
7	Stem Seal	1	PTFE
8	Stem Seal	1	PTFE
9	Stem or-Seal	1	FKM
10	Register ring	1	AISI 304L (303)
11	Locknut	1	AISI 303

