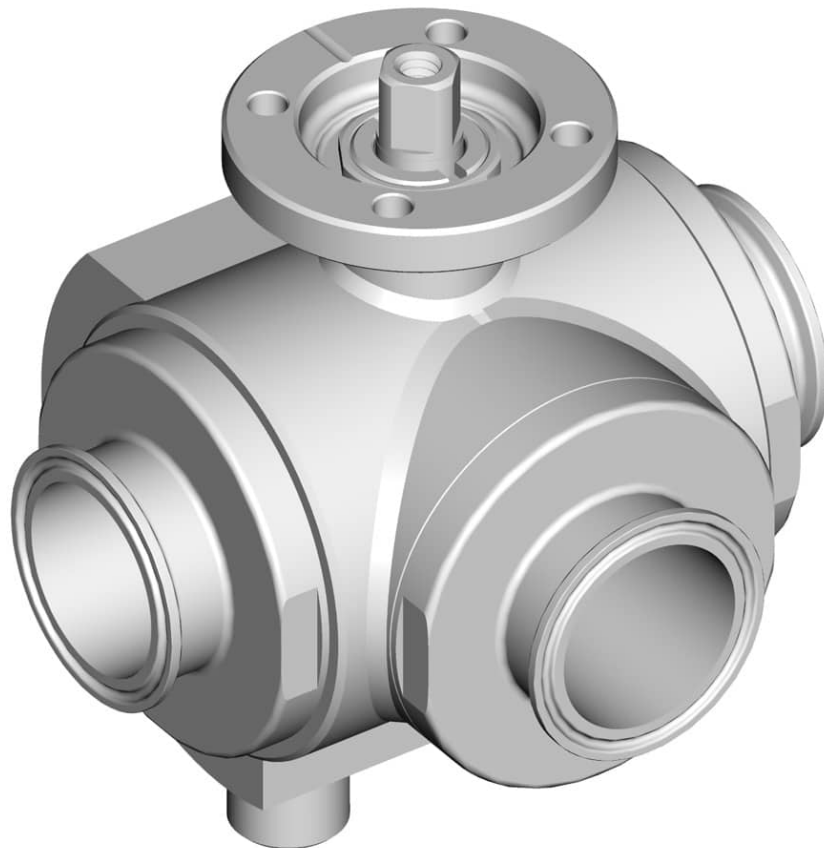


303030C T FOR DIN PIPE - HEATING JACKET



THREE-way ball valve 4 seals with "T" port with HEATING JACKET

Drive: ISO 5211 - DIN 3337 flange for actuator

Connection: **CLAMP normative DIN 32676 TAB.2 REIHE A**

For TUBE according to normative DIN 11850

Flow: Full and reduced

Material: Aisi 316L (1.4404)

Measure: from DN10 to DN100

Seals: Modified Virgin P.T.F.E.

Operating temperature: -20°C+170°C

Outer finish: Polished

On request:

Antistatic device ATEX:

II 2G Ex h IIC T4 Gb

II 2D Ex h IIIC T135°C Db

M.O.C.A. CE 1935/2004

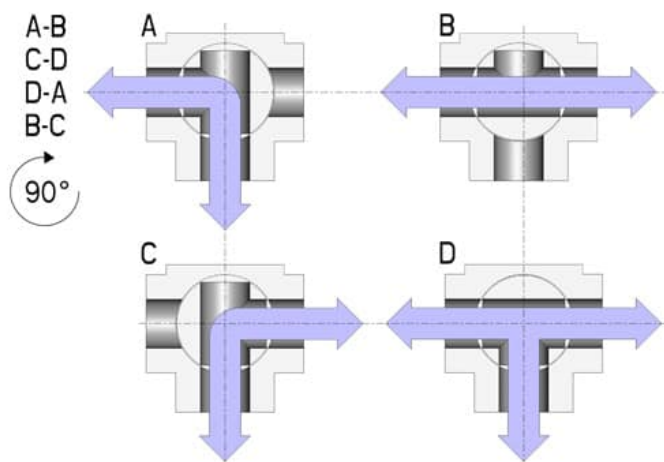
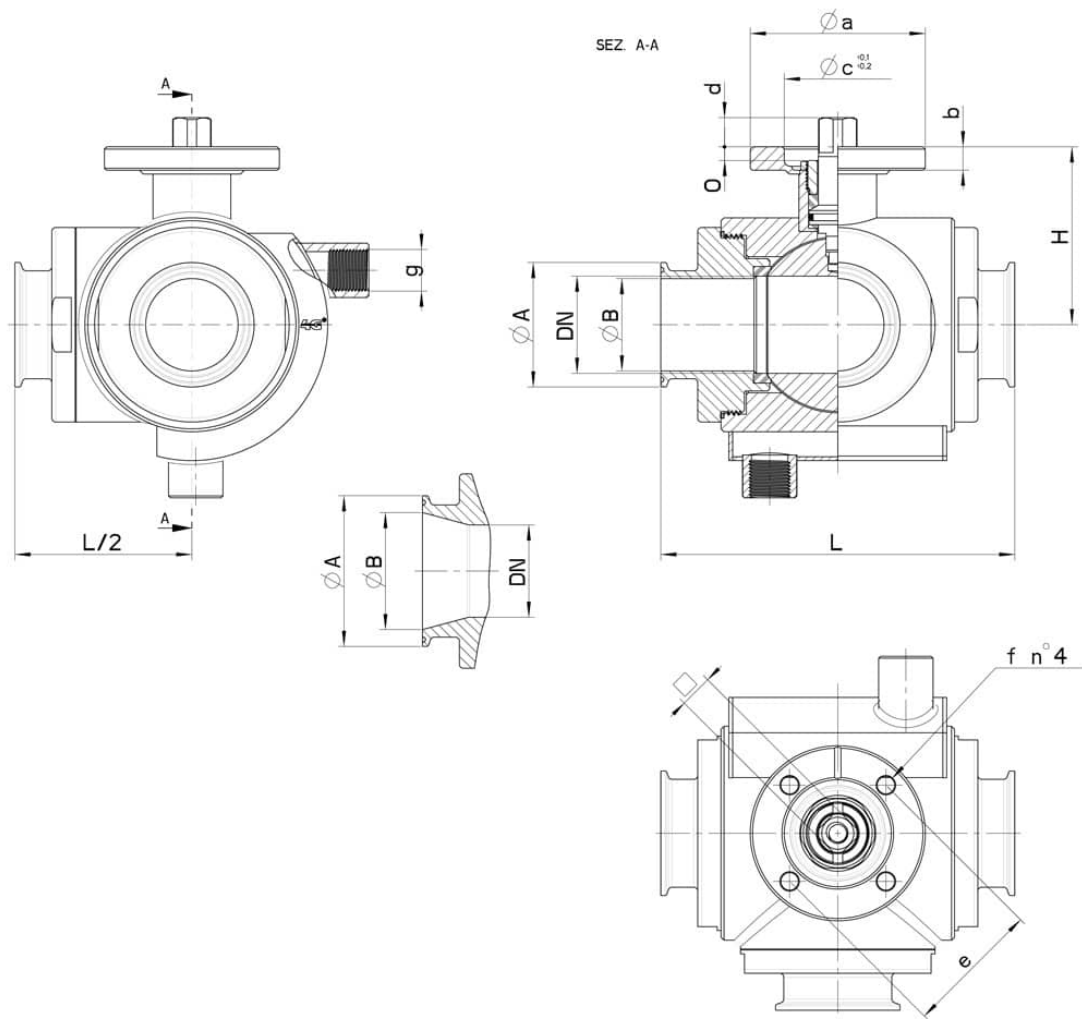
• Seals made of:

PTFE with glass -20°C+170°C

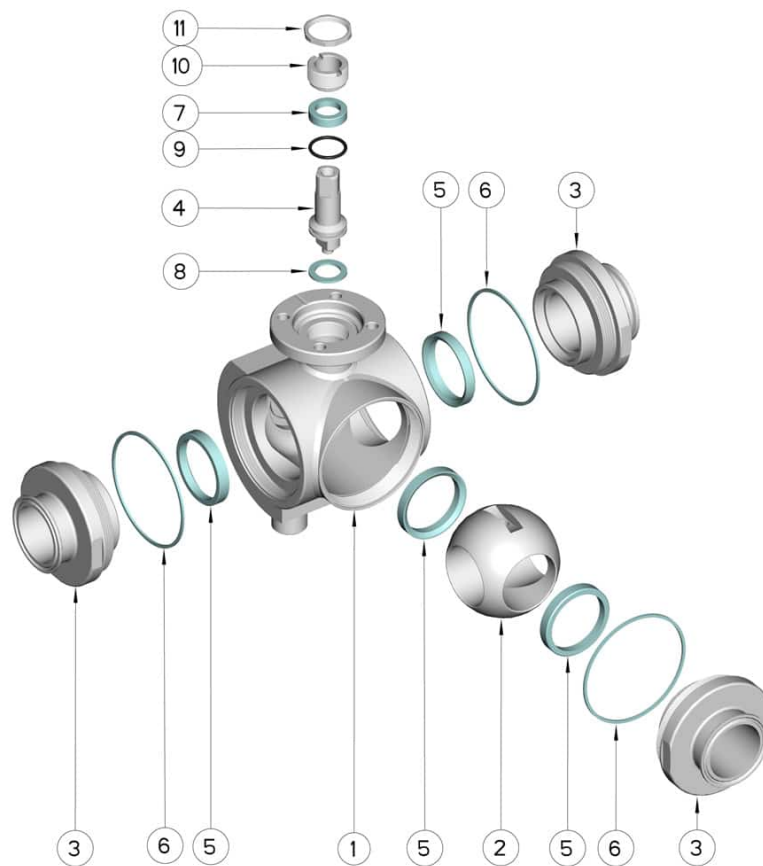
PTFE with carbographite -20°C+180°C

PTFE with inox -20°C+200°C

UHMW High-molecular weight polyethylene -20°C+80°C



CLAMP REIHE A DN	L	Ø A	Ø B	H	g	PN	Kg	ISO-DIN	Ø a	b	Ø c x o	□	d	e	f	n° 4 Bolts	Nm	CODE AISI 316L
10	108	34	10	46,5	3/8"	100	-	F.03	46	9	25x3	9	8	36	6	M5x16	10	303030C61410
10	108	34	10	46,5	3/8"	100	-	F.04	54	9	30x3	11	10	42	6	M5x16	10	303030C6141F
15	118	34	16	49	3/8"	100	-	F.03	46	9	25x3	9	8	36	6	M5x16	12	303030C61910
15	118	34	16	49	3/8"	100	-	F.04	54	9	30x3	11	10	42	6	M5x16	12	303030C6191F
20	130	34	20	56,5	3/8"	100	-	F.04	54	9	30x3	11	10	42	6	M5x16	23	303030C62010
20	130	34	20	56,5	3/8"	100	-	F.05	65	9	35x3	14	13	50	7	M6x16	23	303030C6201F
25	140	50,5	26	61	3/8"	64	-	F.04	54	9	30x3	11	10	42	6	M5x16	25	303030C62810
25	140	50,5	26	61	3/8"	64	-	F.05	65	9	35x3	14	13	50	7	M6x16	25	303030C6281F
32	156	50,5	32	81,5	1/2"	64	-	F.05	65	12	35x4	14	13	50	7	M6x20	33	303030C63010
32	156	50,5	32	81,5	1/2"	64	-	F.07	90	12	55x4	17	15	70	9	M8x20	33	303030C6301F
40	172	50,5	38	89	1/2"	64	-	F.05	65	12	35x4	14	13	50	7	M6x20	40	303030C63510
40	172	50,5	38	89	1/2"	64	-	F.07	90	12	55x4	17	15	70	9	M8x20	40	303030C6351F
50	182	64	50	91,5	1/2"	40	-	F.07	90	12	55x4	17	15	70	9	M8x20	50	303030C64010
50	182	64	50	91,5	1/2"	40	-	F.10	120	12	70x4	22	18	102	11	M10x25	50	303030C6401F
65	196	91	66	101,5	1/2"	40	-	F.07	90	12	55x4	17	15	70	9	M8x20	60	303030C64610
65	196	91	66	101,5	1/2"	40	-	F.10	125	12	70x4	22	18	102	11	M10x25	60	303030C6461F
80	256	106	81	116	1/2"	40	-	F.07	90	12	55x4	17	15	70	9	M8x20	110	303030C64910
80	256	106	81	116	1/2"	40	-	F.10	120	12	70x4	22	18	102	11	M10x25	110	303030C6491F
100	286	119	100	131	1/2"	16	-	F.07	90	12	55x4	17	15	70	9	M8x20	130	303030C65610
100	286	119	100	131	1/2"	16	-	F.10	125	12	70x4	22	18	102	11	M10x25	130	303030C6561F



POS.	Denomination	PCS	MAT.
1	Body	1	AISI 316L
2	Ball	1	AISI 316L
3	Sleeves	3	AISI 316L
4	Stem	1	AISI 316L
5	Ball Seals	4	PTFE Vergine Modificato
6	Sleeve Seals	3	PTFE
7	Stem Seal	1	PTFE
8	Stem Seal	1	PTFE
9	Stem or-Seal	1	FKM
10	Register ring	1	AISI 304L (303)
11	Locknut	1	AISI 303

