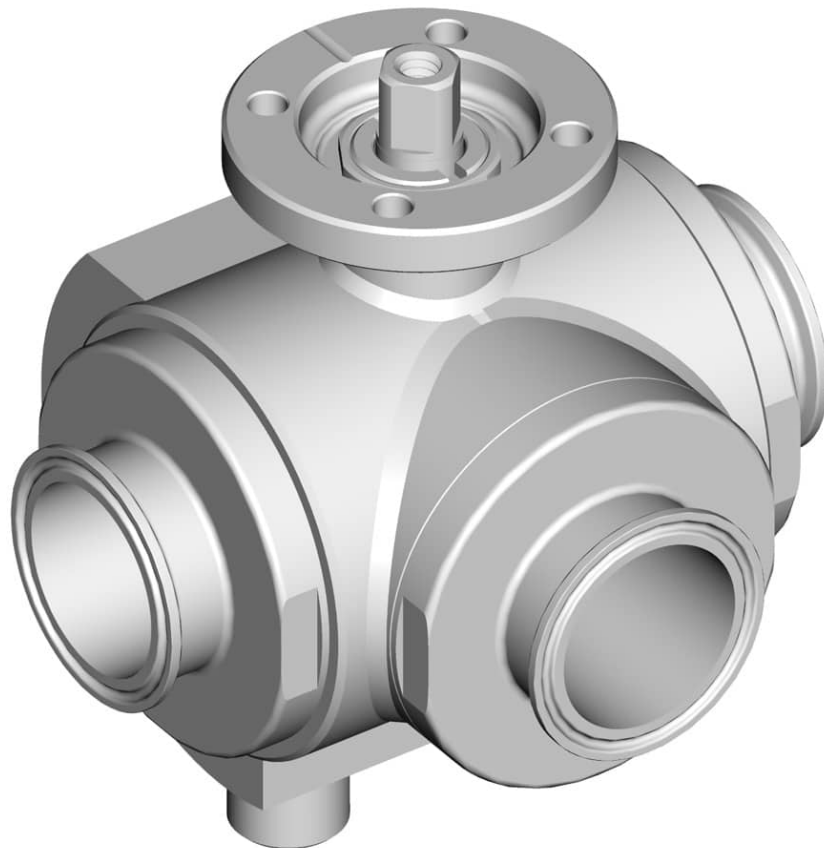


303030C T FOR BS PIPE - HEATING JACKET



THREE-way ball valve 4 seals with "T" port with HEATING JACKET

Drive: ISO 5211 - DIN 3337 flange for actuator

Connection: **CLAMP normative DIN 32676 TAB.4 REIHE C**
For TUBE according to normative BS/OD (ASTM A270)

Flow: Full and reduced

Material: Aisi 304L (1.4307) - Aisi 316L (1.4404)

Measure: from 1/2" to 4"

Seals: Modified Virgin P.T.F.E.

Operating temperature: -20°C+170°C

Outer finish: Polished

On request:

Antistatic device ATEX:

II 2G Ex h IIC T4 Gb

II 2D Ex h IIIC T135°C Db

M.O.C.A. CE 1935/2004

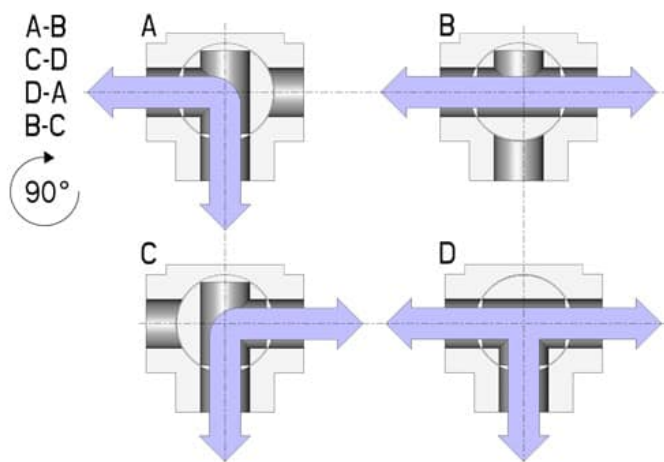
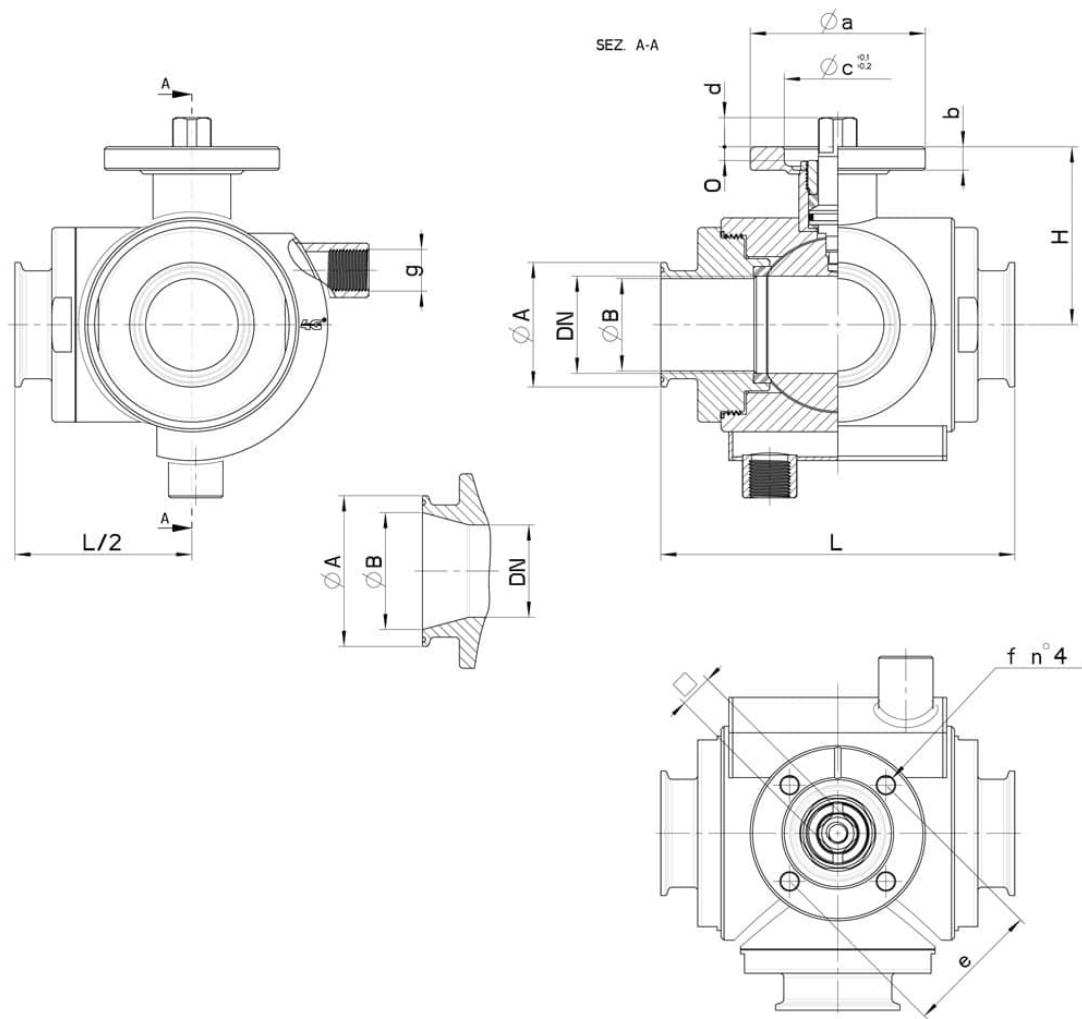
• Seals made of:

PTFE with glass -20°C+170°C

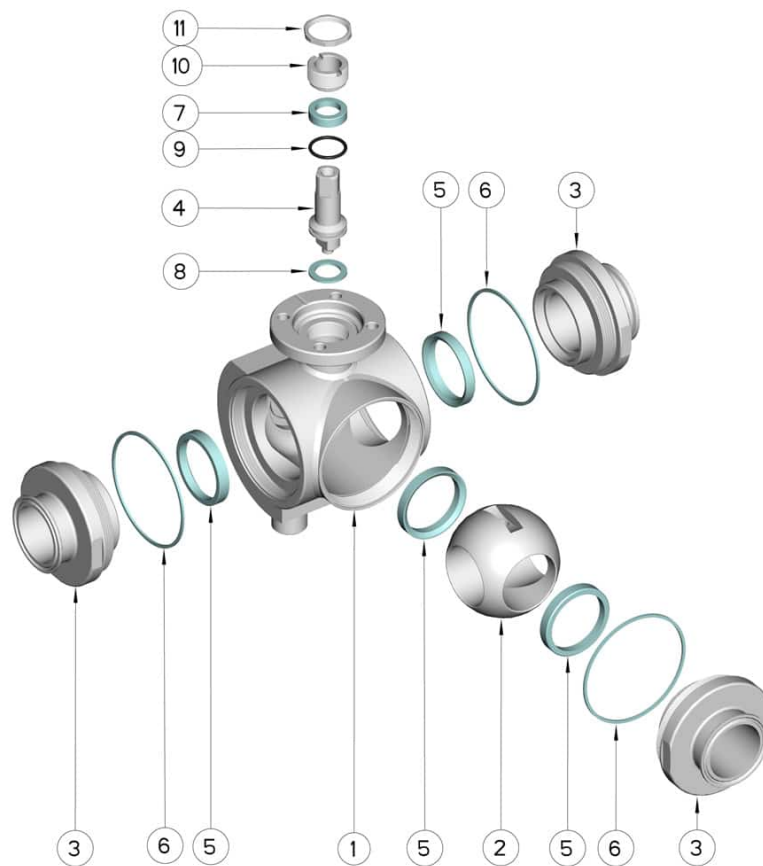
PTFE with carbographite -20°C+180°C

PTFE with inox -20°C+200°C

UHMW High-molecular weight polyethylene -20°C+80°C



CLAMP REIHE C INCH	DN	L	Ø A	Ø B	H	g	PN	Kg	ISO-DIN	Ø a	b	Ø c x o	□	d	e	f	n° 4 Bolts	Nm	CODE AISI 304L	CODE AISI 316L
1/2"	10	108	25	9,7	46,5	3/8"	100	-	F.03	46	9	25x3	9	8	36	6	M5x16	10	-	303030C61210
1/2"	10	108	25	9,7	46,5	3/8"	100	-	F.04	54	9	30x3	11	10	42	6	M5x16	10	-	303030C6121F
3/4"	15	118	25	15,75	49	3/8"	100	-	F.03	46	9	25x3	9	8	36	6	M5x16	12	-	303030C61810
3/4"	15	118	25	15,75	49	3/8"	100	-	F.04	54	9	30x3	11	10	42	6	M5x16	12	-	303030C6181F
1"	20	130	50,5	22,2	56,5	3/8"	100	-	F.04	54	9	30x3	11	10	42	6	M5x16	23	-	303030C62410
1"	20	130	50,5	22,2	56,5	3/8"	100	-	F.05	65	9	35x3	14	13	50	7	M6x16	23	-	303030C6241F
1"	25	140	50,5	22,2	61	3/8"	64	-	F.04	54	9	30x3	11	10	42	6	M5x16	25	-	303030C62610
1"	25	140	50,5	22,2	61	3/8"	64	-	F.05	65	9	35x3	14	13	50	7	M6x16	25	-	303030C6261F
1*1/2	32	156	50,5	34,8	81,5	1/2"	64	-	F.05	65	12	35x4	14	13	50	7	M6x20	33	-	303030C63210
1*1/2	32	156	50,5	34,8	81,5	1/2"	64	-	F.07	90	12	55x4	17	15	70	9	M8x20	33	-	303030C6321F
1*1/2	40	172	50,5	34,8	89	1/2"	64	7,85	F.05	65	12	35x4	14	13	50	7	M6x20	40	-	303030C63410
1*1/2	40	172	50,5	34,8	89	1/2"	64	-	F.07	90	12	55x4	17	15	70	9	M8x20	40	-	303030C6341F
2"	50	182	64	47,5	91,5	1/2"	40	-	F.07	90	12	55x4	17	15	70	9	M8x20	50	-	303030C63810
2"	50	182	64	47,5	91,5	1/2"	40	-	F.10	120	12	70x4	22	18	102	11	M10x25	50	-	303030C6381F
2*1/2	65	196	77,5	60,2	101,5	1/2"	40	-	F.07	90	12	55x4	17	15	70	9	M8x20	60	-	303030C64410
2*1/2	65	196	77,5	60,2	101,5	1/2"	40	-	F.10	125	12	70x4	22	18	102	11	M10x25	60	-	303030C6441F
3"	80	256	91	72,6	116	1/2"	40	-	F.07	90	12	55x4	17	15	70	9	M8x20	110	303030C44810	303030C64810
3"	80	256	91	72,6	116	1/2"	40	-	F.10	120	12	70x4	22	18	102	11	M10x25	110	303030C4481F	303030C6481F
4"	100	286	119	97,6	131	1/2"	16	-	F.07	90	12	55x4	17	15	70	9	M8x20	130	303030C45410	303030C65410
4"	100	286	119	97,6	131	1/2"	16	-	F.10	125	12	70x4	22	18	102	11	M10x25	130	303030C4541F	303030C6541F



POS.	Denomination	PCS	MAT.
1	Body	1	AISI 304L - 316L
2	Ball	1	AISI 304L - 316L
3	Sleeves	3	AISI 304L - 316L
4	Stem	1	AISI 304L - 316L
5	Ball Seals	4	PTFE Vergine Modificato
6	Sleeve Seals	3	PTFE
7	Stem Seal	1	PTFE
8	Stem Seal	1	PTFE
9	Stem or-Seal	1	FKM
10	Register ring	1	AISI 304L (303)
11	Locknut	1	AISI 303

