

## 303027\_T\_4 SEALS STANDARD SEALS - M DIN 11851



THREE-way ball valve 4 seals with "T"  
Drive: ISO 5211 - DIN 3337 flange for actuator  
Connection: DIN 11851 male/male/male  
Flow: full  
Material: Aisi 304L (1.4307) - Aisi 316L (1.4404)  
Measure: from DN10 to DN100  
Seals: Modified Virgin P.T.F.E.  
Operating temperature: -20°C+170°C  
Outer finish: Polished

On request:

Antistatic device ATEX:

II 2G Ex h IIC T4 Gb

II 2D Ex h IIIC T135°C Db

M.O.C.A. CE 1935/2004

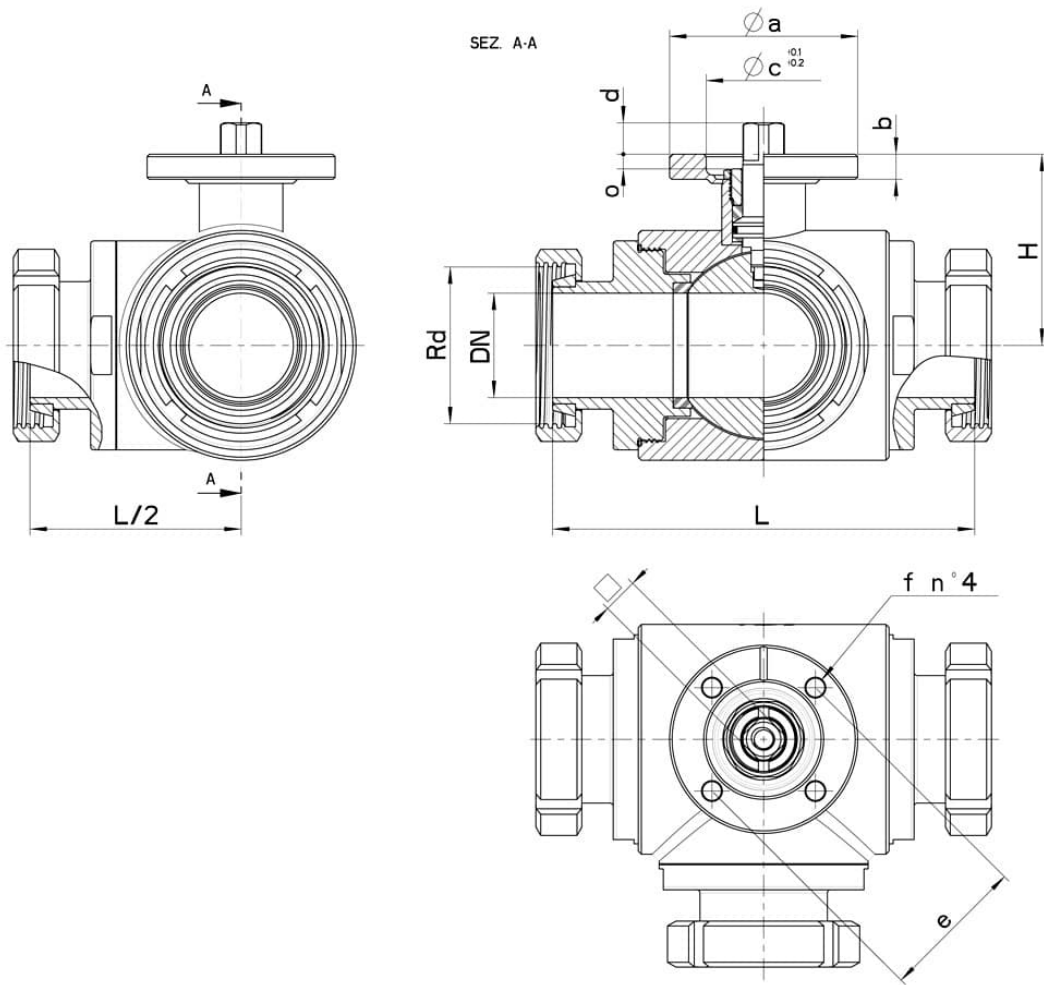
• Seals made of:

PTFE with glass -20°C+170°C

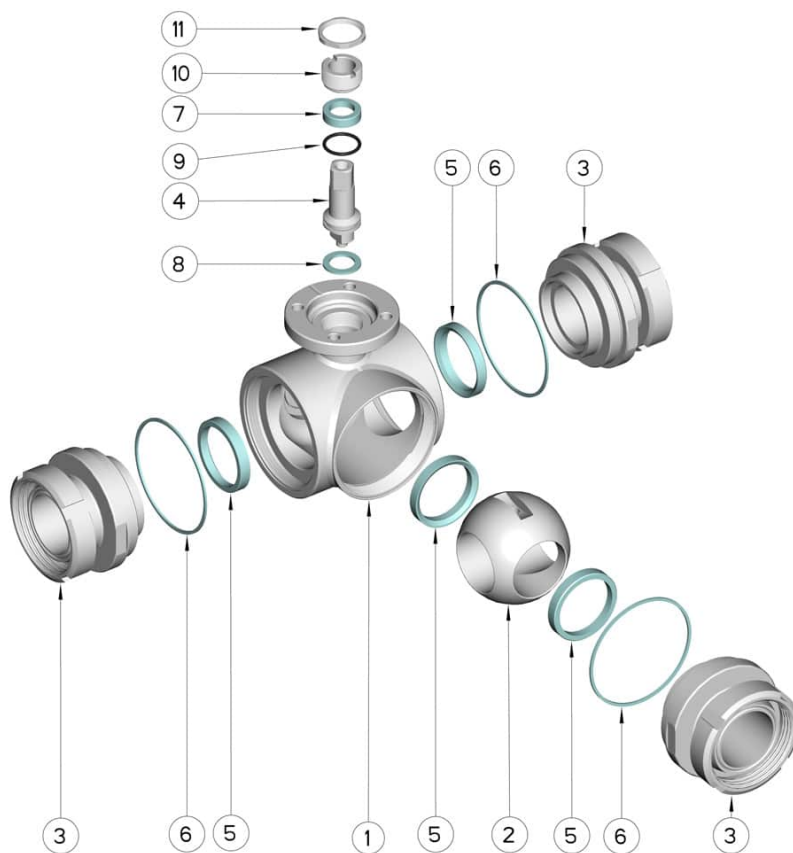
PTFE with carbographite -20°C+180°C

PTFE with inox -20°C+200°C

UHMW High-molecular weight polyethylene -20°C+80°C



DN	Rd	L	H	PN	Kg	ISO-DIN	Ø a	b	Ø c x o	□	d	e	f	n° 4 Bolts	Nm	CODE AISI 304L	CODE AISI 316L
10	28 x 1/8"	116	46,5	100	-	F.03	46	9	25x3	9	8	36	6	M5x16	10	-	303027 60810
10	28 x 1/8"	116	46,5	100	-	F.04	54	9	30x3	11	10	42	6	M5x16	10	-	303027 6081F
15	34 x 1/8"	126	49	100	-	F.03	46	9	25x3	9	8	36	6	M5x16	12	-	303027 61410
15	34 x 1/8"	126	49	100	-	F.04	54	9	30x3	11	10	42	6	M5x16	12	-	303027 6141F
20	44 x 1/6"	144	56,5	100	-	F.04	54	9	30x3	11	10	42	6	M5x16	23	-	303027 62010
20	44 x 1/6"	144	56,5	100	-	F.05	65	9	35x3	14	13	50	7	M6x16	23	-	303027 6201F
25	52 x 1/6"	158	61	64	3,650	F.04	54	9	30x3	11	10	42	6	M5x16	25	-	303027 62610
25	52 x 1/6"	158	61	64	3,700	F.05	65	9	35x3	14	13	50	7	M6x16	25	-	303027 6261F
32	58 x 1/6"	174	81,5	64	-	F.05	65	9	35x4	14	13	50	7	M6x20	33	-	303027 63010
32	58 x 1/6"	174	81,5	64	-	F.07	90	12	55x4	17	15	70	9	M8x20	33	-	303027 6301F
40	65 x 1/6"	190	89	64	-	F.05	65	12	35x4	14	13	50	7	M6x20	40	-	303027 63410
40	65 x 1/6"	190	89	64	-	F.07	90	12	55x4	17	15	70	9	M8x20	40	-	303027 6341F
50	78 x 1/6"	202	91,5	40	10,285	F.07	90	12	55x4	17	15	70	9	M8x20	50	-	303027 63810
50	78 x 1/6"	202	91,5	40	-	F.10	120	12	70x4	22	18	102	11	M10x25	50	-	303027 6381F
65	95 x 1/6"	214	101,5	40	13,180	F.07	90	12	55x4	17	15	70	9	M8x20	60	-	303027 64410
65	95 x 1/6"	214	101,5	40	-	F.10	125	12	70x4	22	18	102	11	M10x25	60	-	303027 6441F
80	110 x 1/4"	266	116	40	-	F.07	90	12	55x4	17	15	70	9	M8x20	110	303027 44810	303027 64810
80	110 x 1/4"	266	116	40	40,00	F.10	120	12	70x4	22	18	102	11	M10x25	110	303027 4481F	303027 6481F
100	130 x 1/4"	302	131	16	-	F.07	90	12	55x4	17	15	70	9	M8x20	130	303027 45410	303027 65410
100	130 x 1/4"	302	131	16	-	F.10	125	12	70x4	22	18	102	11	M10x25	130	303027 4541F	303027 6541F



POS.	Denomination	PCS	MAT.
1	Body	1	AISI 304L - 316L
2	Ball	1	AISI 304L - 316L
3	Sleeves	3	AISI 304L - 316L
4	Stem	1	AISI 304L - 316L
5	Ball Seals	4	PTFE Vergine Modificato
6	Sleeve Seals	3	PTFE
7	Stem Seal	1	PTFE
8	Stem Seal	1	PTFE
9	Stem or-Seal	1	FKM
10	Register ring	1	AISI 304L (303)
11	Locknut	1	AISI 303

