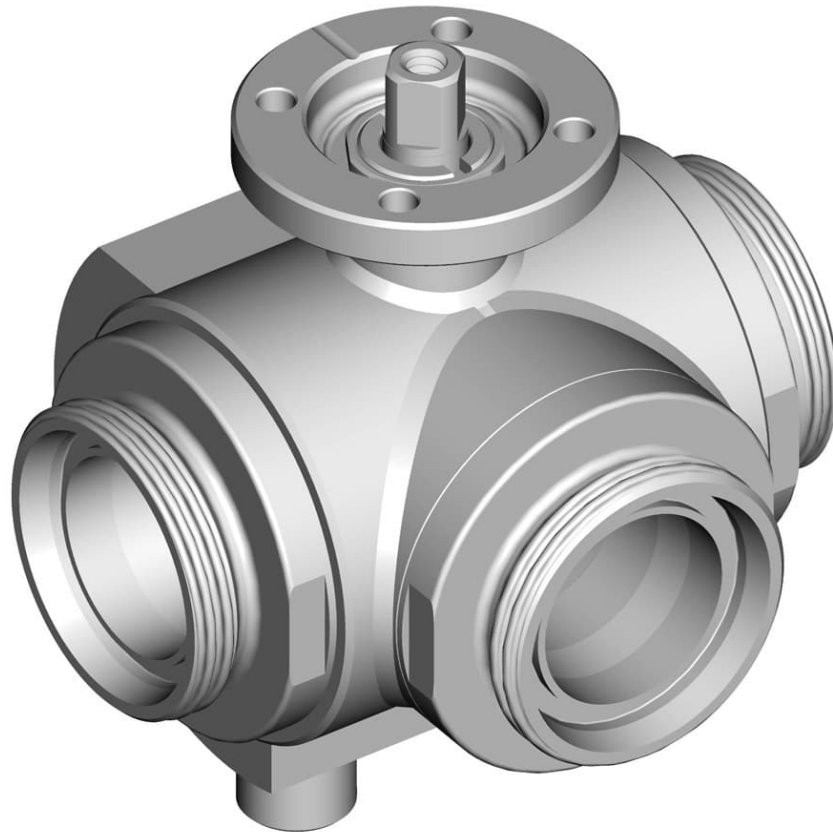


## 303025C\_T\_4 SEALS STANDARD SEALS - F DIN 11851 - HEATING JACKET



THREE-way ball valve 4 seals with "T" with HEATING JACKET

Drive: ISO 5211 - DIN 3337 flange for actuator

Connection: DIN 11851 female/female/female

Flow: Full

Material: Aisi 304L (1.4307) - Aisi 316L (1.4404)

Measure: from DN10 to DN100

Seals: Modified Virgin P.T.F.E.

Operating temperature: -20°C+170°C

Outer finish: Polished

On request:

Antistatic device ATEX:

II 2G Ex h IIC T4 Gb

II 2D Ex h IIIC T135°C Db

M.O.C.A. CE 1935/2004

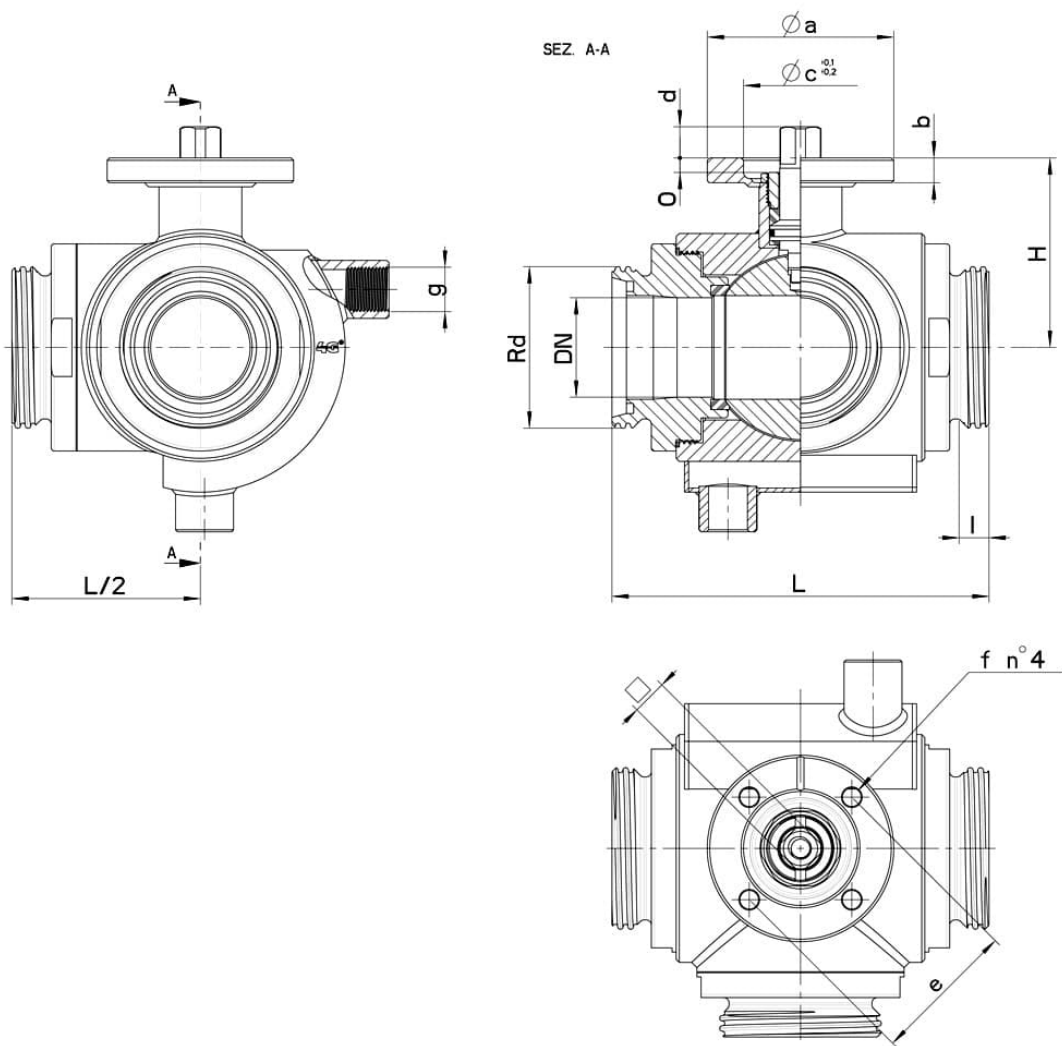
• Seals made of:

PTFE with glass -20°C+170°C

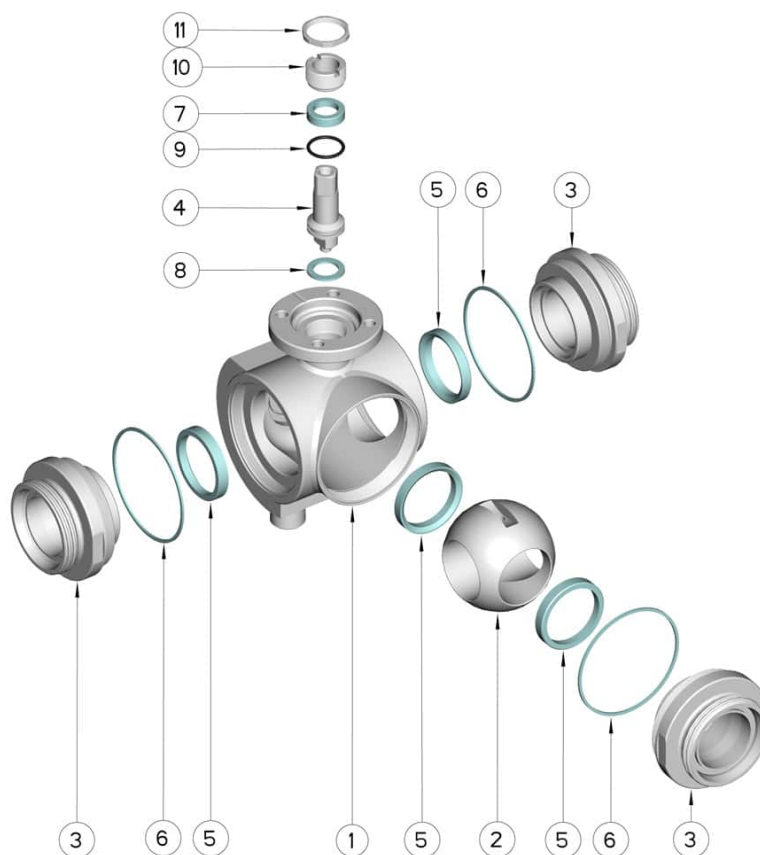
PTFE with carbographite -20°C+180°C

PTFE with inox -20°C+200°C

UHMW High-molecular weight polyethylene -20°C+80°C



DIN	DN	Rd x 1/8"	L	l	H	g	PN	Kg	ISO-DIN	Ø a	b	Ø c x o	□	d	e	f	n° 4 Bolts	Nm	CODE AISI 304L	CODE AISI 316L
10	10	28 x 1/8"	108	12	46,5	3/8"	100	-	F.03	46	9	25x3	9	8	36	6	M5x16	10	-	303025C60810
10	10	28 x 1/8"	108	12	46,5	3/8"	100	-	F.04	54	9	30x3	11	10	42	6	M5x16	10	-	303025C6081F
15	15	34 x 1/8"	118	12	49	3/8"	100	-	F.03	46	9	25x3	9	8	36	6	M5x16	12	-	303025C61410
15	15	34 x 1/8"	118	12	49	3/8"	100	-	F.04	54	9	30x3	11	10	42	6	M5x16	12	-	303025C6141F
20	20	44 x 1/6"	130	14	56,5	3/8"	100	-	F.04	54	9	30x3	11	10	42	6	M5x16	23	-	303025C62010
20	20	44 x 1/6"	130	14	56,5	3/8"	100	-	F.05	65	9	35x3	14	13	50	7	M6x16	23	-	303025C6201F
25	25	52 x 1/6"	140	14	61	3/8"	64	-	F.04	54	9	30x3	11	10	42	6	M5x16	25	-	303025C62610
25	25	52 x 1/6"	140	14	61	3/8"	64	3,37	F.05	65	9	35x3	14	13	50	7	M6x16	25	-	303025C6261F
32	32	58 x 1/6"	156	14	81,5	1/2"	64	5,47	F.05	65	9	35x4	14	13	50	7	M6x20	33	-	303025C63010
32	32	58 x 1/6"	156	14	81,5	1/2"	64	-	F.07	90	12	55x4	17	15	70	9	M8x20	33	-	303025C6301F
40	40	65 x 1/6"	172	14	89	1/2"	64	8,20	F.05	65	12	35x4	14	13	50	7	M6x20	40	-	303025C63410
40	40	65 x 1/6"	172	14	89	1/2"	64	8,35	F.07	90	12	55x4	17	15	70	9	M8x20	40	-	303025C6341F
50	50	78 x 1/6"	182	14	91,5	1/2"	40	9,90	F.07	90	12	55x4	17	15	70	9	M8x20	50	-	303025C63810
50	50	78 x 1/6"	182	14	91,5	1/2"	40	-	F.10	120	12	70x4	22	18	102	11	M10x25	50	-	303025C6381F
65	65	95 x 1/6"	196	16	101,5	1/2"	40	11,50	F.07	90	12	55x4	17	15	70	9	M8x20	60	-	303025C64410
65	65	95 x 1/6"	196	16	101,5	1/2"	40	12,00	F.10	125	12	70x4	22	18	102	11	M10x25	60	-	303025C6441F
80	80	110 x 1/4"	256	20	116	1/2"	40	23,22	F.07	90	12	55x4	17	15	70	9	M8x20	110	303025C44810	303025C64810
80	80	110 x 1/4"	256	20	116	1/2"	40	23,66	F.10	120	12	70x4	22	18	102	11	M10x25	110	303025C4481F	303025C6481F
100	100	130 x 1/4"	286	20	131	1/2"	16	-	F.07	90	12	55x4	17	15	70	9	M8x20	130	303025C45410	303025C65410
100	100	130 x 1/4"	286	20	131	1/2"	16	37,30	F.10	125	12	70x4	22	18	102	11	M10x25	130	303025 4541F	303025C6541F
125	(Reduced) 100	160 x 1/4"	286	25	131	1/2"	16	-	F.07	90	12	55x4	17	15	70	9	M8x20	130	303025 45510	303025C65510
125	(Reduced) 100	160 x 1/4"	286	25	131	1/2"	16	-	F.10	125	12	70x4	22	18	102	11	M10x25	130	303025 4551F	303025C6551F



POS.	Denomination	PCS	MAT.
1	Body	1	AISI 304L - 316L
2	Ball	1	AISI 304L - 316L
3	Sleeves	3	AISI 304L - 316L
4	Stem	1	AISI 304L - 316L
5	Ball Seals	4	PTFE Vergine Modificato
6	Sleeve Seals	3	PTFE
7	Stem Seal	1	PTFE
8	Stem Seal	1	PTFE
9	Stem or-Seal	1	FKM
10	Register ring	1	AISI 304L (303)
11	Locknut	1	AISI 303

