

303004_T_4 SEALS STANDARD SEALS - F NPT



THREE-way ball valve 4 seals with "T" port
Drive: ISO 5211 - DIN 3337 flange for actuator
Connection: NPT female/female/female thread
Flow: Full
Material: Aisi 316L (1.4404)
Measure: from 1/4" to 4"
Seals: Modified Virgin P.T.F.E.
Operating temperature: -20°C+170°C
Outer finish: Polished

On request:

Antistatic device ATEX:

II 2G Ex h IIC T4 Gb

II 2D Ex h IIIC T135°C Db

M.O.C.A. CE 1935/2004

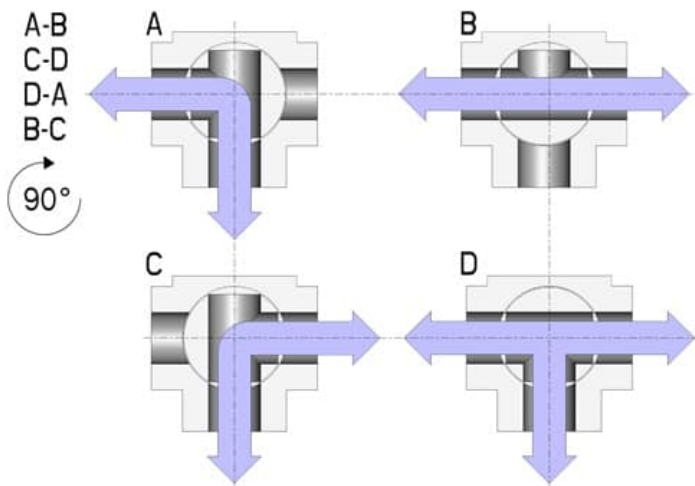
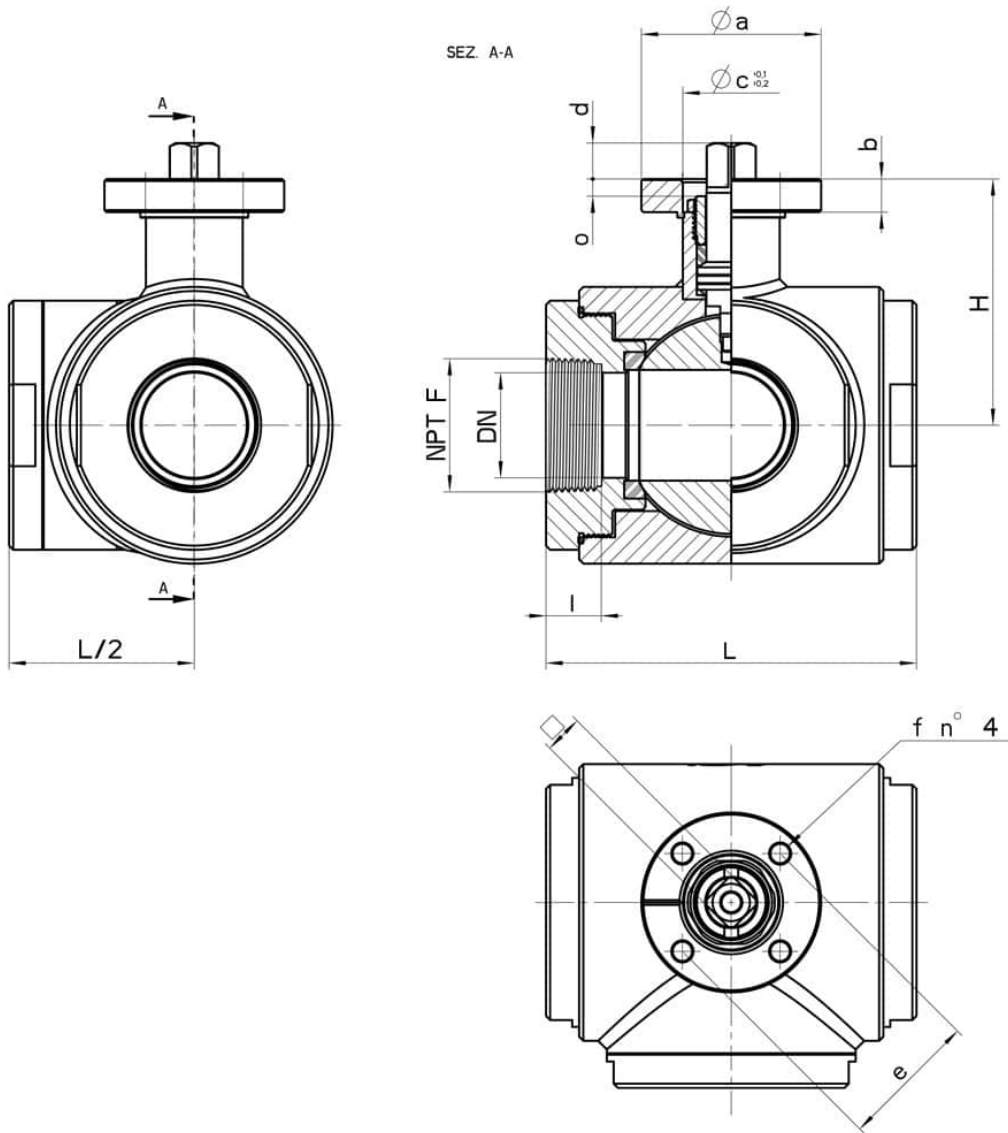
• Seals made of:

PTFE with glass -20°C+170°C

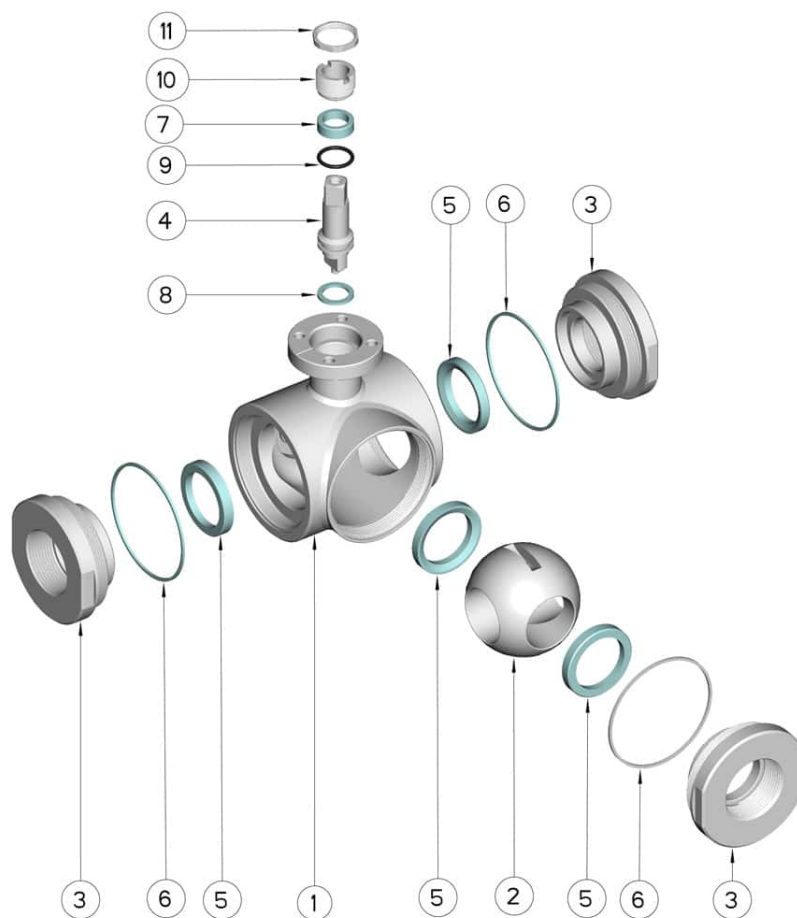
PTFE with carbographite -20°C+180°C

PTFE with inox -20°C+200°C

UHMW High-molecular weight polyethylene -20°C+80°C



| NPT F | DN | L | I | H | PN | Kg | ISO-DIN | Ø a | b | Ø c x o | □ | d | e | f | n° 4 BOLTS | Nm | CODE AISI 316L |
|-------|-----|-----|----|-------|-----|-------|---------|-----|----|---------|----|----|-----|----|------------|-----|-----------------|
| 1/4" | 12 | 72 | 14 | 46,5 | 100 | 0,95 | F.03 | 46 | 9 | 25x3 | 9 | 8 | 36 | 6 | M5x16 | 10 | 303004 60410 |
| 1/4" | 12 | 72 | 14 | 46,5 | 100 | 1,01 | F.04 | 54 | 9 | 30x3 | 11 | 10 | 42 | 6 | M5x16 | 10 | 303004 6041F |
| 3/8" | 12 | 72 | 16 | 46,5 | 100 | 0,92 | F.03 | 46 | 9 | 25x3 | 9 | 8 | 36 | 6 | M5x16 | 10 | 303004 60810 |
| 3/8" | 12 | 72 | 16 | 46,5 | 100 | 0,96 | F.04 | 54 | 9 | 30x3 | 11 | 10 | 42 | 6 | M5x16 | 10 | 303004 6081F |
| 1/2" | 15 | 82 | 18 | 49 | 100 | 1,13 | F.03 | 46 | 9 | 25x3 | 9 | 8 | 36 | 6 | M5x16 | 12 | 303004 61410 |
| 1/2" | 15 | 82 | 18 | 49 | 100 | 1,27 | F.04 | 54 | 9 | 30x3 | 11 | 10 | 42 | 6 | M5x16 | 12 | 303004 6141F |
| 3/4" | 20 | 92 | 19 | 56,5 | 100 | 1,87 | F.04 | 54 | 9 | 30x3 | 11 | 10 | 42 | 6 | M5x16 | 23 | 303004 62010 |
| 3/4" | 20 | 92 | 19 | 56,5 | 100 | 1,93 | F.05 | 65 | 9 | 35x3 | 14 | 13 | 50 | 7 | M6x16 | 23 | 303004 6201F |
| 1" | 25 | 102 | 20 | 61 | 64 | 2,49 | F.04 | 54 | 9 | 30x3 | 11 | 10 | 42 | 6 | M5x16 | 25 | 303004 62610 |
| 1" | 25 | 102 | 20 | 61 | 64 | 2,65 | F.05 | 65 | 12 | 35x3 | 14 | 13 | 50 | 7 | M6x16 | 25 | 303004 6261F |
| 1"1/4 | 32 | 118 | 20 | 81,5 | 64 | 4,38 | F.05 | 65 | 12 | 35x4 | 14 | 13 | 50 | 7 | M6x20 | 33 | 303004 63010 |
| 1"1/4 | 32 | 118 | 20 | 81,5 | 64 | 4,95 | F.07 | 90 | 12 | 55x4 | 17 | 15 | 70 | 9 | M8x20 | 33 | 303004 6301F |
| 1"1/2 | 40 | 134 | 20 | 89 | 64 | 6,65 | F.05 | 65 | 12 | 35x4 | 14 | 13 | 50 | 7 | M6x20 | 40 | 303004 63410 |
| 1"1/2 | 40 | 134 | 20 | 89 | 64 | 6,82 | F.07 | 90 | 12 | 55x4 | 17 | 15 | 70 | 9 | M8x20 | 40 | 303004 6341F |
| 2" | 50 | 144 | 20 | 91,5 | 40 | 8,29 | F.07 | 90 | 12 | 55x4 | 17 | 15 | 70 | 9 | M8x20 | 50 | 303004 63810 |
| 2" | 50 | 144 | 20 | 91,5 | 40 | 8,70 | F.10 | 120 | 12 | 70x4 | 22 | 18 | 102 | 11 | M10x25 | 50 | 303004 6381F |
| 2"1/2 | 65 | 160 | 26 | 101,5 | 40 | 9,86 | F.07 | 90 | 12 | 55x4 | 17 | 15 | 70 | 9 | M8x20 | 60 | 303004 64410 |
| 2"1/2 | 65 | 160 | 26 | 101,5 | 40 | 10,25 | F.10 | 120 | 12 | 70x4 | 22 | 18 | 102 | 11 | M10x25 | 60 | 303004 6441F |
| 3" | 80 | 200 | 28 | 116 | 40 | 20,20 | F.07 | 90 | 12 | 55x4 | 17 | 15 | 70 | 9 | M8x20 | 110 | 303004 64810 |
| 3" | 80 | 200 | 28 | 116 | 40 | 20,70 | F.10 | 120 | 12 | 70x4 | 22 | 18 | 102 | 11 | M10x25 | 110 | 303004 6481F |
| 4" | 100 | 240 | 32 | 131 | 16 | 32,50 | F.07 | 90 | 12 | 55x4 | 17 | 15 | 70 | 9 | M8x20 | 130 | 303004 65410 |
| 4" | 100 | 240 | 32 | 131 | 16 | 33,00 | F.10 | 120 | 12 | 70x4 | 22 | 18 | 102 | 11 | M10x25 | 130 | 303004 6541F |



| POS. | DENOMINATION | PCS | MAT. |
|------|---------------|-----|-------------------------|
| 1 | Body | 1 | AISI 316L |
| 2 | Ball | 1 | AISI 316L |
| 3 | Sleeves | 3 | AISI 316L |
| 4 | Stem | 1 | AISI 316L |
| 5 | Ball Seals | 4 | PTFE Vergine Modificato |
| 6 | Sleeve Seals | 3 | PTFE |
| 7 | Stem Seal | 1 | PTFE |
| 8 | Stem Seal | 1 | PTFE |
| 9 | Stem or-Seal | 1 | FKM |
| 10 | Register ring | 1 | AISI 304L (303) |
| 11 | Locknut | 1 | AISI 303 |

