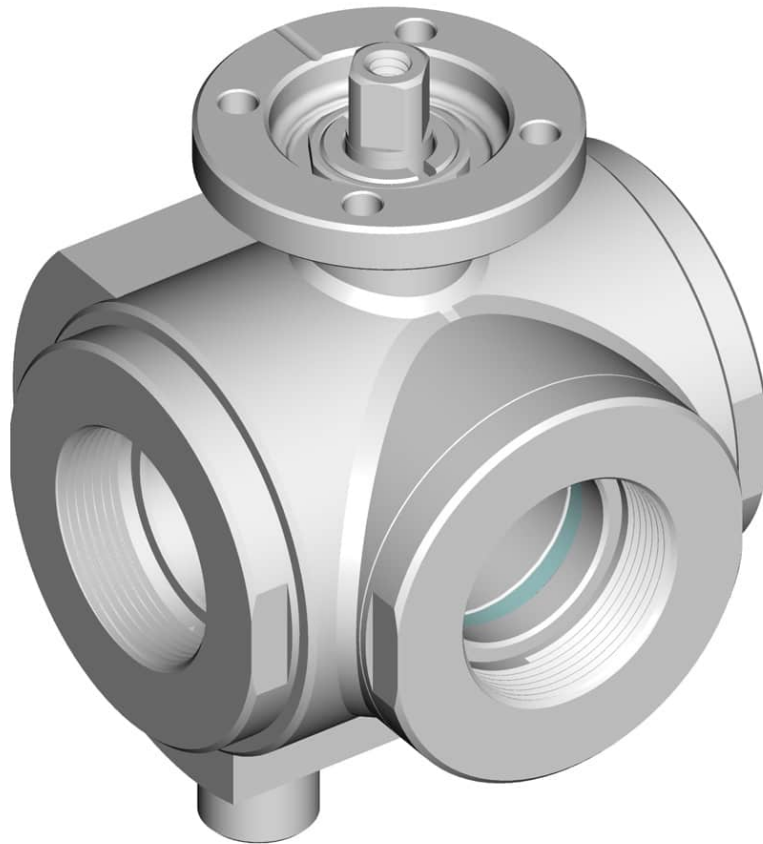


303001C_T_4 SEALS STANDARD SEALS - ISO 228 F - HEATING JACKET



THREE-way ball valve 4 seals with "T" port with HEATING JACKET

Drive: ISO 5211 - DIN 3337 flange for actuator

Connection: ISO 228 female/female/female thread

Flow: Full

Material: Aisi 304L (1.4307) - Aisi 316L (1.4404)

Measure: from 1/4" to 4"

Seals: Modified Virgin P.T.F.E.

Operating temperature: -20°C+170°C

Outer finish: Polished

On request:

Antistatic device ATEX:

II 2G Ex h IIC T4 Gb

II 2D Ex h IIC T135°C Db

M.O.C.A. CE 1935/2004

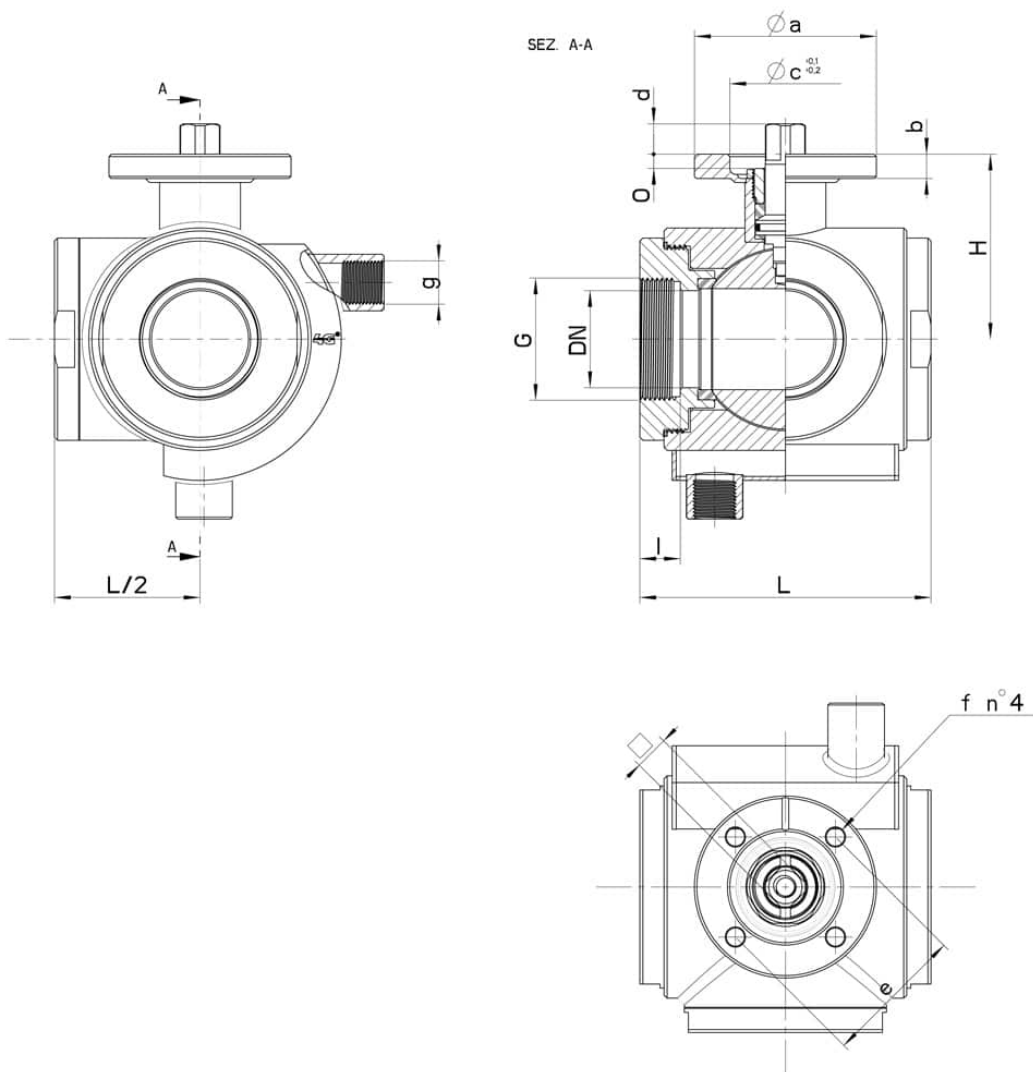
• Seals made of:

PTFE with glass -20°C+170°C

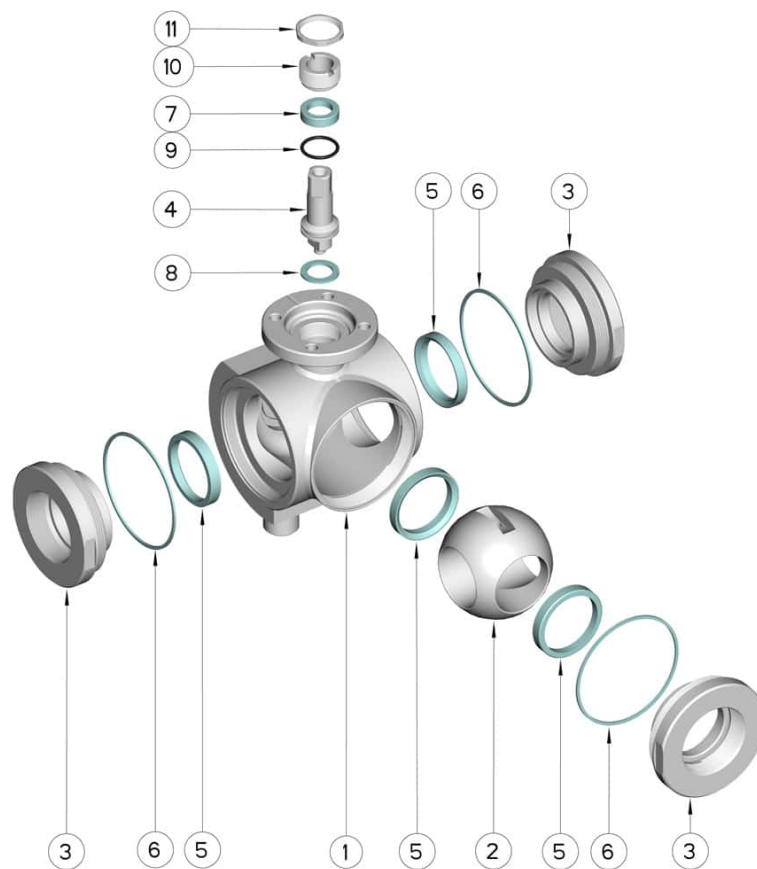
PTFE with carbographite -20°C+180°C

PTFE with inox -20°C+200°C

UHMW High-molecular weight polyethylene -20°C+80°C



G	DN	L	I	H	PN	g	Kg	ISO-DIN	Ø a	b	Ø c x o	□	d	e	f	n° 4 Bolts	Nm	CODE AISI 304L	CODE AISI 316L
1/4"	12	72	16	46,5	100	3/8"	-	F.03	46	9	25x3	9	8	36	6	M5x16	10	-	303001C60410
1/4"	12	72	16	46,5	100	3/8"	-	F.04	54	9	30x3	11	10	42	6	M5x16	10	-	303001C6041F
3/8"	12	72	16	46,5	100	3/8"	-	F.03	46	9	25x3	9	8	36	6	M5x16	10	-	303001C60810
3/8"	12	72	16	46,5	100	3/8"	-	F.04	54	9	30x3	11	10	42	6	M5x16	10	-	303001C6081F
1/2"	15	82	18	49	100	3/8"	-	F.03	46	9	25x3	9	8	36	6	M5x16	12	-	303001C61410
1/2"	15	82	18	49	100	3/8"	-	F.04	54	9	30x3	11	10	42	6	M5x16	12	-	303001C6141F
3/4"	20	92	19	56,5	100	3/8"	-	F.04	54	9	30x3	11	10	42	6	M5x16	23	-	303001C62010
3/4"	20	92	19	56,5	100	3/8"	-	F.05	65	9	35x3	14	13	50	7	M6x16	23	-	303001C6201F
1"	25	102	20	61	64	3/8"	-	F.04	54	9	30x3	11	10	42	6	M5x16	25	-	303001C62610
1"	25	102	20	61	64	3/8"	-	F.05	65	12	35x3	14	13	50	7	M6x16	25	-	303001C6261F
1"1/4	32	118	20	81,5	64	1/2"	-	F.05	65	12	35x4	14	13	50	7	M6x20	33	-	303001C63010
1"1/4	32	118	20	81,5	64	1/2"	-	F.07	90	12	55x4	17	15	70	9	M8x20	33	-	303001C6301F
1"1/2	40	134	20	89	64	1/2"	-	F.05	65	12	35x4	14	13	50	7	M6x20	40	-	303001C63410
1"1/2	40	134	20	89	64	1/2"	-	F.07	90	12	55x4	17	15	70	9	M8x20	40	-	303001C6341F
2"	50	144	20	91,5	40	1/2"	8,68	F.07	90	12	55x4	17	15	70	9	M8x20	50	-	303001C63810
2"	50	144	20	91,5	40	1/2"	-	F.10	120	12	70x4	22	18	102	11	M10x25	50	-	303001C6381F
2"1/2	65	160	22	101,5	40	1/2"	-	F.07	90	12	55x4	17	15	70	9	M8x20	60	-	303001C64410
2"1/2	65	160	22	101,5	40	1/2"	-	F.10	125	12	70x4	22	18	102	11	M10x25	60	-	303001C6441F
3"	80	200	26	116	40	1/2"	-	F.07	90	12	55x4	17	15	70	9	M8x20	110	303001C44810	303001C64810
3"	80	200	26	116	40	1/2"	-	F.10	120	12	70x4	22	18	102	11	M10x25	110	303001C4481F	303001C6481F
4"	100	240	26	131	16	1/2"	-	F.07	90	12	55x4	17	15	70	9	M8x20	130	303001C45410	303001C65410
4"	100	240	26	131	16	1/2"	-	F.10	125	12	70x4	22	18	102	11	M10x25	130	303001C4541F	303001C6541F



POS.	Denomination	PCS	MAT.
1	Body	1	AISI 304L - 316L
2	Ball	1	AISI 304L - 316L
3	Sleeves	3	AISI 304L - 316L
4	Stem	1	AISI 304L - 316L
5	Ball Seals	4	PTFE Vergine Modificato
6	Sleeve Seals	3	PTFE
7	Stem Seal	1	PTFE
8	Stem Seal	1	PTFE
9	Stem or-Seal	1	FKM
10	Register ring	1	AISI 304L (303)
11	Locknut	1	AISI 303

